



A/C & Refrigeration CATALOGUE 2018/6



FLEXiN[®] GROUP

**FLEXIBILITY
EXPERTISE
iNNOVATION**



 www.flexingroup.com

ZERTIFIKAT ◆ CERTIFICATE ◆ 認證證書 ◆ CERTIFICADO ◆ CERTIFICAT



Italia

CERTIFICATO

Nr. 50 100 13051 - Rev.002

Si attesta che / This is to certify that

IL SISTEMA QUALITÀ DI
THE QUALITY SYSTEM OF



FLEXIN GROUP S.r.l.

SEDE LEGALE:
REGISTERED OFFICE:

**VIA CARTIERA 53 FRAZIONE BORGONUOVO DI PONTECCHIO
IT - 40037 SASSO MARCONI (BO)**

SEDE OPERATIVA:
OPERATIONAL SITE:

**VIA RIGOSA 54
IT - 40069 ZOLA PREDOSA (BO)**

È CONFORME AI REQUISITI DELLA NORMA
HAS BEEN FOUND TO COMPLY WITH THE REQUIREMENTS OF

UNI EN ISO 9001:2015

QUESTO CERTIFICATO È VALIDO PER IL SEGUENTE CAMPO DI APPLICAZIONE
THIS CERTIFICATE IS VALID FOR THE FOLLOWING SCOPE

**Progettazione, fabbricazione e distribuzione di tubi e raccordi per la
trasmissione di fluidi per impianti nelle aree di condizionamento (bus
veicoli mezzi industriali, fuori strada, refrigerazione mobile,
refrigerazione fissa) e oleodinamica (IAF 18, 14)**

**Design, manufacturing and distribution of hose and fittings for fluid
conveying system for air conditioning (bus vehicles, industrial
vehicles, off road vehicles, mobile refrigeration, commercial
refrigeration) and hydraulics (IAF 18, 14)**



SGQ N° 049A

Membro degli Accordi di Mutuo Riconoscimento
EA, IAF e ILAC
Signatory of EA, IAF and ILAC Mutual
Recognition Agreements

Per l'Organismo di Certificazione
For the Certification Body
TÜV Italia S.r.l.

Validità / Validity

Dal / From: **2019-07-16**

Al / To: **2021-06-14**

Data emissione / Issuing Date

Andrea Coscia
Direttore Divisione Business Assurance

2019-07-16

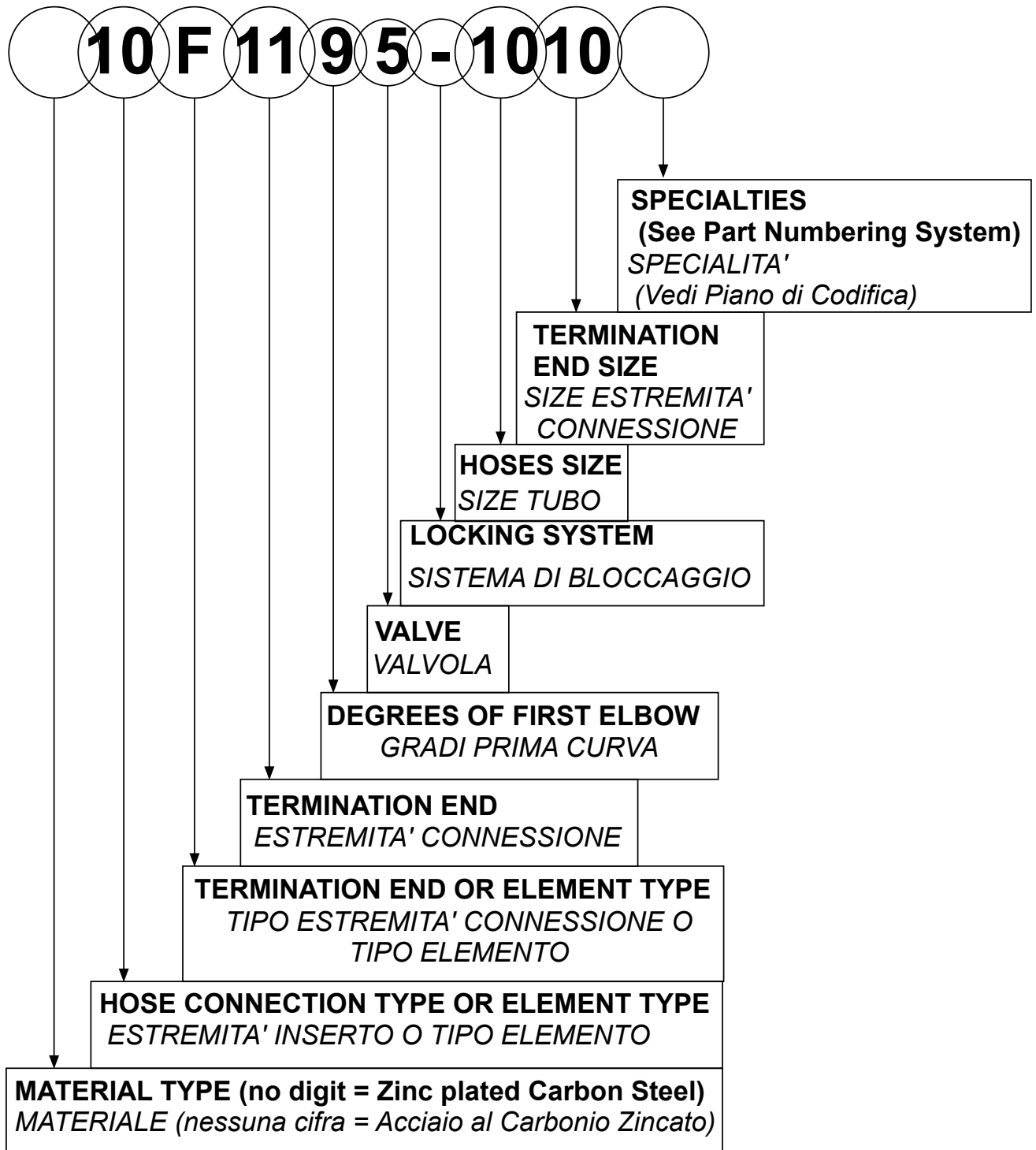
PRIMA CERTIFICAZIONE / FIRST CERTIFICATION: 2015-06-15

*LA VALIDITÀ DEL PRESENTE CERTIFICATO È SUBORDINATA A SORVEGLIANZA PERIODICA A 12 MESI E AL RIESAME COMPLETO DEL SISTEMA DI
GESTIONE AZIENDALE CON PERIODICITÀ TRIENNALE*

*THE VALIDITY OF THE PRESENT CERTIFICATE DEPENDS ON THE ANNUAL SURVEILLANCE EVERY 12 MONTHS AND ON THE COMPLETE REVIEW OF
COMPANY'S MANAGEMENT SYSTEM AFTER THREE-YEARS*

USER GUIDE

GUIDA ALL'UTILIZZO



FIELDS OF APPLICATION

CAMPI D'APPLICAZIONE

HOSE CONNECTION TYPE <i>ESTREMITA' INSERTO</i>	FIELDS OF APPLICATION <i>CAMPI D'APPLICAZIONE</i>				
	External Diameter	Application Field	Type of hoses according SAE J3062 and SAE J2064	Locking System	
	<i>Diametro Esterno</i>	<i>Campi d'applicazione</i>	<i>Tipo di tubo secondo SAE J3062 e SAE J2064</i>	<i>Crimped solution</i>	<i>Field Attachable</i>
10	Normal section hose	A/C	Type A-C	Bubble	No Clamp
11	Reduced section hose	A/C	Type A-C	Bubble	No Clamp
20	Reduced section hose FG100/ FG300	A/C & Refrigeration High Performance + Bus market and A/C MRO	Type E	Bubble	Clamp

- **PAGES 1X** of the catalogue: the most diffused kind of “one piece” crimping fitting in the A/C market.

The fittings shown on these pages are available:

X=0 (“Serie 10”): with normal section ferrule, suitable for hose type A-C SAE J3062 and SAE J2064.

X=1 (“Serie 11”): with reduced section ferrule, suitable for hose type A-C SAE J3062 and SAE J2064.

- **PAGES 2X** of the catalogue: our own one piece solution Frigoflex®.

X = 0 (“Serie 20”): They are designed to be used with Flexin® hose FG100 or FG300.

They are available both in crimping version and with clamp to providing to replace the digit “-“ in the middle of the code with “C” or “H” for clamp or with “F” for ferrule.

- **PAGINE 1X** del catalogo: il tipo più diffuso di raccordo “one piece” nel mercato A / C.

I raccordi mostrati in queste pagine sono disponibili:

X=0 (“Serie 10”): con ferrula a sezione normale, adatto a tubi tipo A-C SAE J3062 e SAE J2064.

X=1 (“Serie 11”): con ferrula a sezione ridotta, adatto a tubi tipo A-C SAE J3062 e SAE J2064.

- **PAGINE 2X** del catalogo:

X = 0 (“Serie 20”): la nostra soluzione di raccordi “one piece”.

Sono progettati per essere utilizzati con il tubo Flexin® FG100 o FG300.

Sono disponibili sia in versione crimpata che clampata, con fascetta, si sostituisce il carattere “-“ nel mezzo del codice con “C” o “H” per clamp o con “F” per ferrula.

MARKETS

MERCATI

MOBILE AIR CONDITIONING *ARIA CONDIZIONATA PER VEICOLI* *Off-Highway A/C*



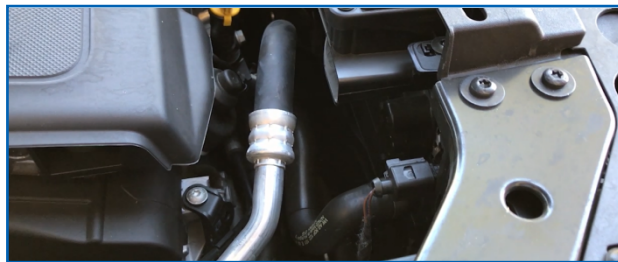
Bus



MOBILE REFRIGERATION *REFRIGERAZIONE MOBILE*



AUTOMOTIVE & NON-AUTOMOTIVE MRO *RIPARAZIONE AUTOMOTIVE & NON AUTOMOTIVE*



HYDRAULICS *OLEODINAMICA*



COMMERCIAL REFRIGERATION *REFRIGERAZIONE COMMERCIALE*



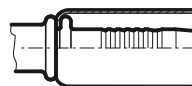
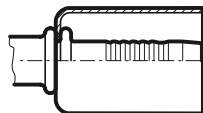
INDEX - INDICE

Series 10

Series 11

NORMAL SECTION
SEZIONE NORMALE

REDUCED SECTION
SEZIONE RIDOTTA



Series 10 & 11

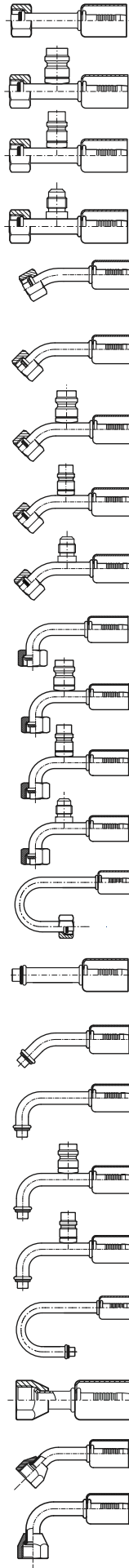
ONE PIECE Crimp Fittings

Raccordi a Pressare ONE PIECE

All «ONE PIECE» crimp fittings are available in the 10 series with normal section ferrule and 11 series with reduced section ferrule

Tutti i raccordi a pressione versione «ONE PIECE» con boccia cartellata sono disponibili nella serie 10 con boccia a sezione normale e nella serie 11 con boccia a sezione ridotta

👉 Series 1X	1x / 1
👉 1xF1100	1x / 2
👉 1xF1104	1x / 2
👉 1xF1105	1x / 2
👉 1xF1106	1x / 3
👉 1xF1130	1x / 3
👉 1xF1140	1x / 3
👉 1xF1144	1x / 3
👉 1xF1145	1x / 4
👉 1xF1146	1x / 4
👉 1xF1190	1x / 4
👉 1xF1194	1x / 5
👉 1xF1195	1x / 5
👉 1xF1196	1x / 5
👉 1xF11U0	1x / 6
👉 1xF2100	1x / 6
👉 1xF2140	1x / 6
👉 1xF2190	1x / 6
👉 1xF2194	1x / 7
👉 1xF2195	1x / 7
👉 1xF21U0	1x / 7
👉 1xF4100	1x / 7
👉 1xF4140	1x / 8
👉 1xF4190	1x / 8


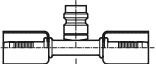



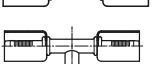
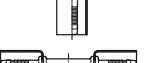


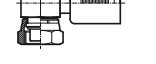




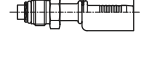
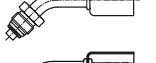





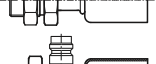
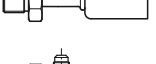
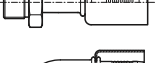


If you click on the hand

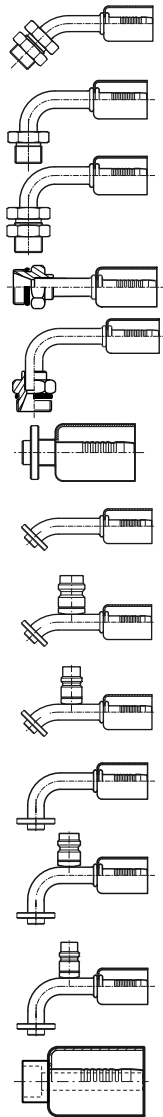
it takes you directly
to the relevant catalog page.

Se clicchi sulla mano

ti porta direttamente alla
relativa pagina del catalogo.

👉 1xJ0000	1x / 8	
👉 1xJ0004	1x / 8	
👉 1xJ0005	1x / 9	
👉 1xJ0006	1x / 9	
👉 1xJ0007	1x / 9	
👉 1xJ00T0	1x / 9	
👉 1xJ00T1	1x / 9	
👉 1xK1190	1x / 10	
👉 1xK1194	1x / 10	
👉 1xK1194...PA	1x / 10	
👉 1xK1195	1x / 10	
👉 1xK1195...PA6	1x / 11	
👉 1xK1196	1x / 11	
👉 1xM3100	1x / 11	
👉 1xM3140	1x / 11	
👉 1xM3190	1x / 12	
👉 1xM3194	1x / 12	
👉 1xM3195	1x / 12	
👉 1xM31U0	1x / 12	
👉 1xM3300	1x / 13	
👉 1xM3300...EA	1x / 13	
👉 1xM3304	1x / 13	
👉 1xM3306	1x / 13	
👉 1xM3340	1x / 13	

☞ 1xM3340...EA2	1x / 14
☞ 1xM3390	1x / 14
☞ 1xM3390...EA2	1x / 14
☞ 1xM3400	1x / 14
☞ 1xM3490	1x / 14
☞ 1xP6100	1x / 15
☞ 1xP6140	1x / 15
☞ 1xP6144	1x / 15
☞ 1xP6145	1x / 15
☞ 1xP6190	1x / 15
☞ 1xP6194	1x / 16
☞ 1xP6195	1x / 16
☞ 1xF0000	1x / 16

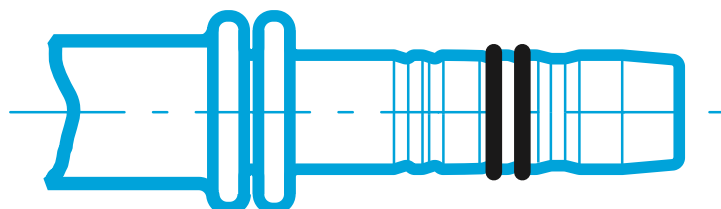


Swaging chart

For swaging chart ask Flexin® Group

☞ Contacts 14x / 1

INDEX - INDICE



Series 20 Frigoflex[®]

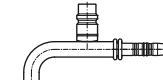
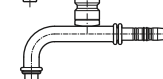
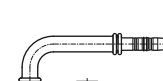
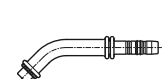
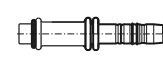
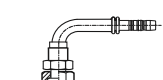
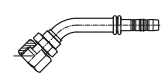
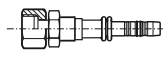
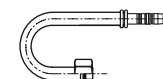
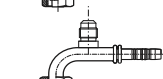
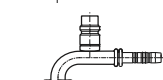
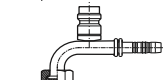
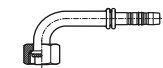
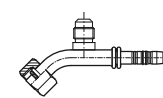
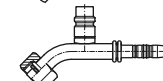
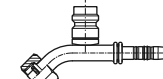
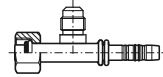
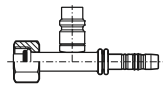
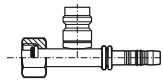
ONE PIECE Field attachable fittings with Clamp or Ferrule



Raccordi ONE PIECE field attachable con fascetta o boccia

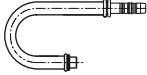
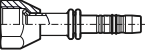
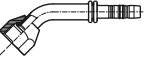
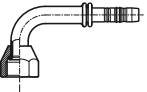
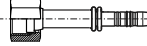
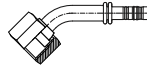
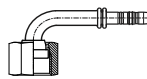
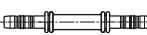
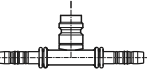
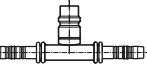
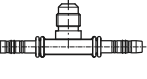
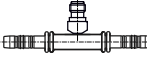
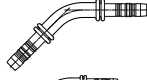
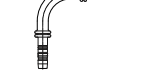
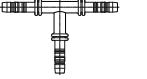
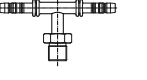
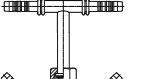
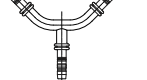
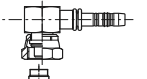
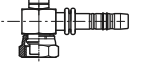
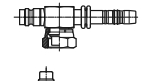
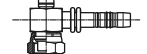
All of the Serie 20 fittings are available to be assembled in both versions: field attachable with clamp or ferrule.

Tutti i raccordi della serie 20 sono facilmente installabili e possono essere montati sia nella versione con serraggio a fascetta oppure nella versione con boccia a pressare.

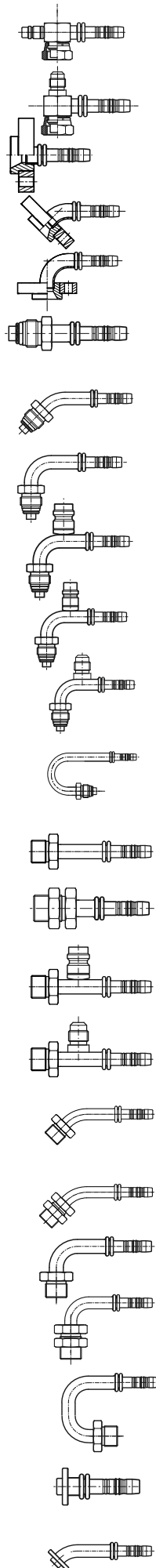
👉 Series 2X	2x / 1
👉 2xF1100	2x / 2
👉 2xF1104	2x / 2
👉 2xF1105	2x / 2
👉 2xF1106	2x / 3
👉 2xF1140	2x / 3
👉 2xF1144	2x / 3
👉 2xF1145	2x / 4
👉 2xF1146	2x / 4
👉 2xF1190	2x / 4
👉 2xF1194	2x / 5
👉 2xF1195	2x / 5
👉 2xF1196	2x / 5
👉 2xF11U0	2x / 6
👉 2xF1200	2x / 6
👉 2xF1230	2x / 6
👉 2xF1290	2x / 6
👉 2xF2100	2x / 7
👉 2xF2140	2x / 7
👉 2xF2190	2x / 7
👉 2xF2194	2x / 7
👉 2xF2195	2x / 7



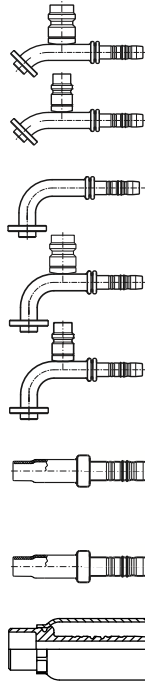
If you click on the hand

it takes you directly to the relevant catalog page.
Se clicchi sulla mano

ti porta direttamente alla relativa pagina del catalogo.

☞ 2xF21U0	2x / 8	
☞ 2xF4100	2x / 8	
☞ 2xF4140	2x / 8	
☞ 2xF4190	2x / 8	
☞ 2xF5100	2x / 9	
☞ 2xF5140	2x / 9	
☞ 2xF5190	2x / 9	
☞ 2xJ0000	2x / 9	
☞ 2xJ0004	2x / 10	
☞ 2xJ0005	2x / 10	
☞ 2xJ0006	2x / 10	
☞ 2xJ0007	2x / 10	
☞ 2xJ0040	2x / 10	
☞ 2xJ0090	2x / 11	
☞ 2xJ00T0	2x / 11	
☞ 2xJ00T1	2x / 12	
☞ 2xJ00T3	2x / 12	
☞ 2xJ00Y0	2x / 12	
☞ 2xK1190	2x / 12	
☞ 2xK1194	2x / 13	
☞ 2xK1194...PA	2x / 13	
☞ 2xK1195	2x / 13	

☞ 2xK1195...PA	2x / 13
☞ 2xK1196	2x / 14
☞ 2xL7100	2x / 14
☞ 2xL7140	2x / 14
☞ 2xL7190	2x / 14
☞ 2xM3100	2x / 15
☞ 2xM3140	2x / 15
☞ 2xM3190	2x / 15
☞ 2xM3194	2x / 15
☞ 2xM3195	2x / 16
☞ 2xM3196	2x / 16
☞ 2xM31U0	2x / 16
☞ 2xM3300	2x / 16
☞ 2xM3300...EA2	2x / 17
☞ 2xM3304	2x / 17
☞ 2xM3306	2x / 17
☞ 2xM3340	2x / 17
☞ 2xM3340...EA2	2x / 17
☞ 2xM3390	2x / 18
☞ 2xM3390...EA2	2x / 18
☞ 2xM33U0	2x / 18
☞ 2xP6100	2x / 18
☞ 2xP6140	2x / 19



☞ 2xP6144	2x / 19
☞ 2xP6145	2x / 19
☞ 2xP6190	2x / 19
☞ 2xP6194	2x / 19
☞ 2xP6195	2x / 20
☞ D2xMxxxx-xxxx	2x / 20
☞ D2xFxxxx-xxxx	2x / 20
☞ 2xF0000	2x / 20



Swaging chart

☞ Frigoflex® Swaging Chart

9x / 1

INDEX - INDICE

Other Items

Altri Articoli





Official Statement:

“KlimaKlamp® System (both kit and fittings) will work correctly only if used with its specific Hoses and Tools (already in the kit or proposed separately on this document)”.

Comunicazione Ufficiale:

“FlexinGroup srl garantisce il perfetto funzionamento del Sistema KlimaKlamp® (Kit e Raccordi a fascetta) solo se utilizzato con gli appositi Tubi in gomma ed Utensili già presenti nei Kit stessi o proposti separatamente in questo catalogo.”

 KlimaKlamp	3x / 1
 2xM3600	3x / 3
 2xM3640	3x / 3
 2xM3690	3x / 3
 Kit Test Version	3x / 4
 Kit Basic Version	3x / 4
 Kit Professional Version	3x / 5
 Kit Premium Version	3x / 6
 Kit Premium Maxi Version	3x / 7
 Special Fittings	4x / 1
 Hoses	5x / 1
 Hoses FG100	5x / 2
 Hoses FG300	5x / 3
 Hose Assemblies	6x / 1
 Tools	7x / 1
 Pliers	7x / 2
 Hose cutters	7x / 3
 Components and Accessories	8x / 1
 Bulkhead adaptors	8x / 2
 Adaptors	8x / 4
 Splitters	8x / 6
 Plates	8x / 8
 Ferrules	8x / 9
 Clamps	8x / 9
 Frigoflex O-Rings	8x / 10
 O-Rings	8x / 10
 Caps	8x / 11
 Valves	8x / 11
 Core valves	8x / 12
 Valve caps	8x / 12
 Water Cooling System	8x / 13
 Spirals	8x / 15
 Sheaths/Insulations	8x / 15
 Swaging Chart	9x / 1
 Assembling Instructions	10x / 1
 Frigoflex	10x / 2
 KlimaKlamp	10x / 4
 Part Numbering System	11x / 1
 Technical Services	12x / 1
 Revision Index	13x / 1
 Contacts	14x / 1

Official Statement:

“KlimaKlamp® System (both kit and fittings) will work correctly only if used with its specific Hoses and Tools (already in the kit or proposed separately on this document)”.

Comunicazione Ufficiale:

“FlexinGroup srl garantisce il perfetto funzionamento del Sistema KlimaKlamp® (Kit e Raccordi a fascetta) solo se utilizzato con gli appositi Tubi in gomma ed Utensili già presenti nei Kit stessi o proposti separatamente in questo catalogo.”

If you click on the hand



it takes you directly
to the relevant catalog page.

Se clicchi sulla mano



ti porta direttamente alla
relativa pagina del catalogo.

Series 1X

ONE PIECE Crimp Fittings

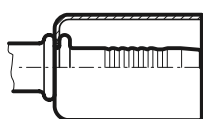


Raccordi a Pressare ONE PIECE

All «ONE PIECE» crimp fittings are available in the 10 series with normal section ferrule and 11 series with reduced section ferrule

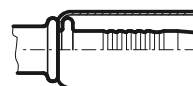
Series 10

NORMAL SECTION
SEZIONE NORMALE



Series 11

REDUCED SECTION
SEZIONE RIDOTTA



For swaging chart ask Flexin® Group

👉 **Contacts**

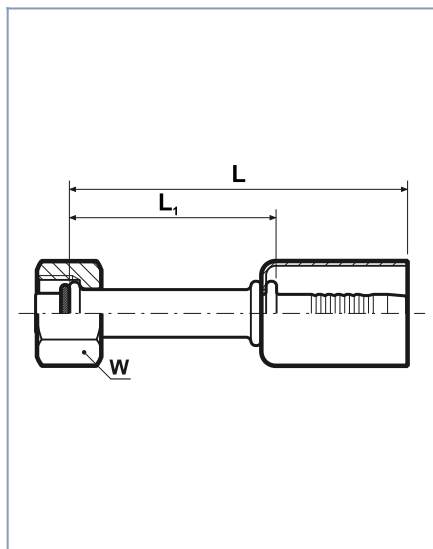
14x / 1

HOSE CONNECTION TYPE <i>ESTREMITA' INSERTO</i>	FIELDS OF APPLICATION <i>CAMPI D'APPLICAZIONE</i>				
	External Diameter	Application Field	Type of hoses according SAE J3062 and SAE J2064	Locking System	
	<i>Diametro Esterno</i>	<i>Campi d'applicazione</i>	<i>Tipo di tubo secondo SAE J3062 e SAE J2064</i>	<i>Crimped solution</i>	<i>Field Attachable</i>
10	Normal section hose	A/C	Type A-C	Bubble	No Clamp
11	Reduced section hose	A/C	Type A-C	Bubble	No Clamp

Standard One Piece Fitting

1xF1100

STRAIGHT O-RING FEMALE FITTING RACCORDO FEMMINA DRITTA O-RING

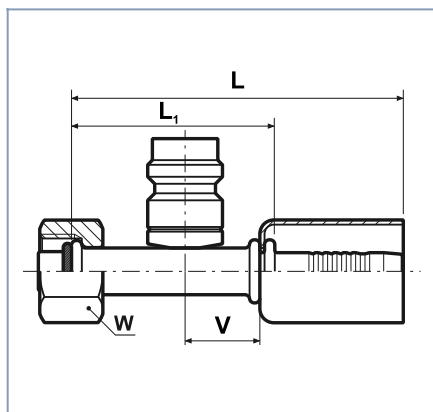


Code Codice	Hose size 1 Size tubo 1	Threading Filettatura	L±2,5	L ₁ ±2,5	W
1xF1100-0606	06-5/16"	5/8"-18-UNF-2B	61.5	34.3	-
1xF1100-0608	06-5/16"	3/4"-16-UNF-2B	67.5	40.3	22
1xF1100-0806	08-13/32"	5/8"-18-UNF-2B	69.0	38.8	19
1xF1100-0808	08-13/32"	3/4"-16-UNF-2B	66.5	36.3	22
1xF1100-0810	08-13/32"	7/8"-14-UNF-2B	77.5	47.3	27
1xF1100-0811*	08-13/32"	1"-14-UNS-2B	66.0	35.8	29
1xF1100-1008	10-1/2"	3/4"-16-UNF-2B	72.0	41.3	22
1xF1100-1010	10-1/2"	7/8"-14-UNF-2B	68.0	37.3	27
1xF1100-1011*	10-1/2"	1"-14-UNS-2B	56.5	23.0	29
1xF1100-1012	10-1/2"	1".1/16-14-UNS-2B	67.0	35.0	29
1xF1100-1210	12-5/8"	7/8"-14-UNF-2B	69.0	37.0	27
1xF1100-1211*	12-5/8"	1"-14-UNS-2B	79.0	47.0	29
1xF1100-1212	12-5/8"	1".1/16-14-UNS-2B	68.0	36.0	32

* = Rotalock

1xF1104▲

STRAIGHT O-RING FEMALE FITTING WITH HIGH PRESSURE VALVE RACCORDO FEMMINA DRITTA O-RING CON VALVOLA ALTA PRESSIONE

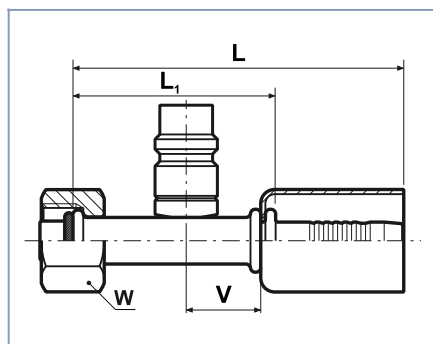


Code Codice	Hose size 1 Size tubo 1	Threading Filettatura	L±2,5	L ₁ ±2,5	V±2,0	W
1xF1104-0606	06-5/16"	5/8"-18-UNF-2B	86.0	58.8	16.0	19
1xF1104-0610	06-5/16"	7/8"-14-UNF-2B	65.5	38.3	15.0	27
1xF1104-0808	08-13/32"	3/4"-16-UNF-2B	83.0	52.8	16.0	22
1xF1104-0810	08-13/32"	7/8"-14-UNF-2B	tbd	tbd	tbd	27
1xF1104-0811*	08-13/32"	1"-14-UNS-2B	75.0	44.8	16.0	29

* = Rotalock
tbd = to be defined / in fase di definizione
▲ = For R1234yf indicate 1xF1108
Per R1234yf indicare 1xF1108

1xF1105▲

STRAIGHT O-RING FEMALE FITTING WITH LOW PRESSURE VALVE RACCORDO FEMMINA DRITTA O-RING CON VALVOLA BASSA PRESSIONE

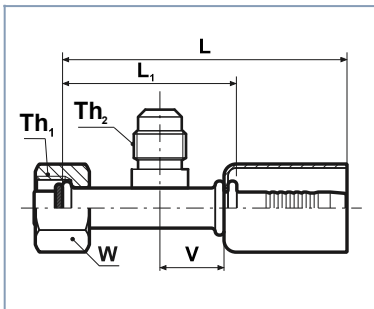


Code Codice	Hose size 1 Size tubo 1	Threading Filettatura	L±2,5	L ₁ ±2,5	V±2,0	W
1xF1105-1010	10-1/2"	7/8"-14-UNF-2B	81.5	50.8	16.0	27
1xF1105-1011*	10-1/2"	1"-14-UNS-2B	79.0	48.3	16.0	29
1xF1105-1210	12-5/8"	7/8"-14-UNF-2B	81.0	49.0	16.0	27
1xF1105-1211*	12-5/8"	1"-14-UNS-2B	79.0	47.0	16.0	29
1xF1105-1212	12-5/8"	1".1/16-14-UNS-2B	77.5	45.5	16.0	32

* = Rotalock
▲ = For R1234yf indicate 1xF1109
Per R1234yf indicare 1xF1109

1xF1106

STRAIGHT O-RING FEMALE FITTING WITH CHARGE VALVE RACCORDO FEMMINA DRITTA O-RING CON VALVOLA DI CARICA

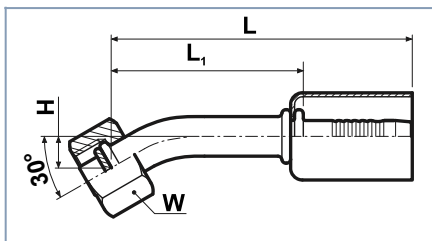


Code Codice	Hose size Size tubo 1	Threading Filettatura	Threading 2 Filettatura 2	L±2,5	L ₁ ±2,5	V±2,0	W
1xF1106-0606	06-5/16"	5/8"-18-UNF-2B	7/16" 20 UNF	86.0	58.8	16.0	19
1xF1106-0808	08-13/32"	3/4"-16-UNF-2B	7/16" 20 UNF	83.0	52.8	16.0	22
1xF1106-0811*	08-13/32"	1"-14-UNS-2B	7/16" 20 UNF	75.0	44.8	16.0	29
1xF1106-1011*	10-1/2"	1"-14-UNS-2B	7/16" 20 UNF	79.0	48.3	16.0	29
1xF1106-1211*	12-5/8"	1"-14-UNS-2B	7/16" 20 UNF	79.0	47.0	16.0	29

* = Rotalock

1xF1130

30° ELBOW O-RING FEMALE FITTING RACCORDO FEMMINA O-RING 30°

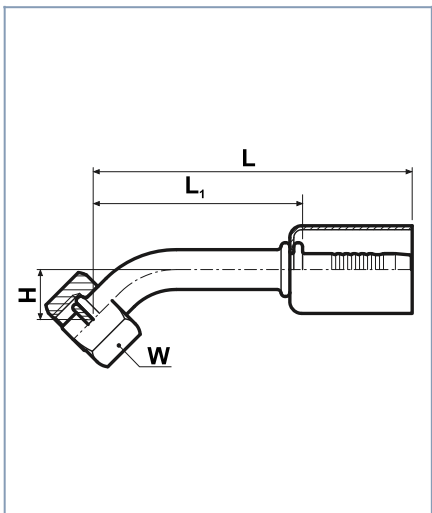


Code Codice	Hose size 1 Size tubo 1	Threading Filettatura	L±2,5	L ₁ ±2,5	H±2,5	W
1xF1130-0606	06-5/16"	5/8"-18-UNF-2B	80.0	52.8	12.5	19
1xF1130-0808	08-13/32"	3/4"-16-UNF-2B	91.0	60.8	8.5	22
1xF1130-1010	10-1/2"	7/8"-14-UNF-2B	tbd	tbd	tbd	27

tbd = to be defined / in fase di definizione

1xF1140

45° ELBOW O-RING FEMALE FITTING RACCORDO FEMMINA O-RING 45°

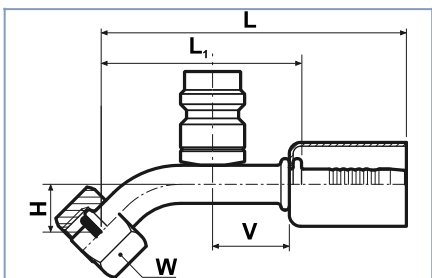


Code Codice	Hose size 1 Size tubo 1	Threading Filettatura	L±2,5	L ₁ ±2,5	H±2,5	W
1xF1140-0606	06-5/16"	5/8"-18-UNF-2B	80.0	52.8	12.5	19
1xF1140-0806	08-13/32"	5/8"-18-UNF-2B	88.0	57.8	14.0	19
1xF1140-0808	08-13/32"	3/4"-16-UNF-2B	88.0	57.8	13.5	22
1xF1140-0810	08-13/32"	7/8"-14-UNF-2B	107.7	77.5	24.0	27
1xF1140-0811*	08-13/32"	1"-14-UNS-2B	85.0	54.8	14.0	29
1xF1140-1008	10-1/2"	3/4"-16-UNF-2B	101.0	70.3	16.0	22
1xF1140-1010	10-1/2"	7/8"-14-UNF-2B	99.0	68.3	24.0	27
1xF1140-1011*	10-1/2"	1"-14-UNS-2B	98.0	67.3	22.0	29
1xF1140-1012	10-1/2"	1".1/16-14-UNS-2B	115.9	85.2	27.0	32
1xF1140-1210	12-5/8"	7/8"-14-UNF-2B	99.0	67.0	24.0	27
1xF1140-1211*	12-5/8"	1"-14-UNS-2B	96.0	64.0	16.5	29
1xF1140-1212	12-5/8"	1".1/16-14-UNS-2B	97.0	65.0	24.0	32

* = Rotalock

1xF1144▲

45° ELBOW O-RING FEMALE FITTING WITH HIGH PRESSURE VALVE RACCORDO FEMMINA O-RING 45° CON VALVOLA ALTA PRESSIONE



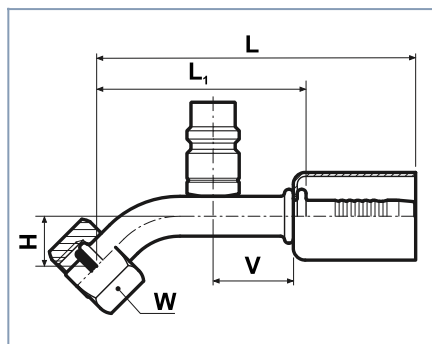
Code Codice	Hose size 1 Size tubo 1	Threading Filettatura	L±2,5	L ₁ ±2,5	H±2,5	V±2,0	W
1xF1144-0606	06-5/16"	5/8"-18-UNF-2B	80.0	52.8	12.5	16.0	19
1xF1144-0808	08-13/32"	3/4"-16-UNF-2B	88.0	57.8	13.5	16.0	22
1xF1144-0811*	08-13/32"	1"-14-UNS-2B	85.0	54.8	14.0	16.0	29

* = Rotalock

▲ = For R1234yf indicate 1xF1148
Per R1234yf indicare 1xF1148

1xF1145▲

45° ELBOW O-RING FEMALE FITTING WITH LOW PRESSURE VALVE RACCORDO FEMMINA O-RING 45° CON VALVOLA BASSA PRESSIONE



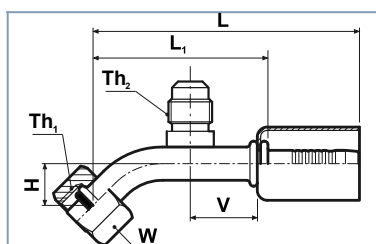
Code Codice	Hose size 1 Size tubo 1	Threading Filettatura	L±2,5	L ₁ ±2,5	H±2,5	V±2,0	W
1xF1145-1010	10-1/2"	7/8"-14-UNF-2B	99.0	68.3	24.0	16.0	27
1xF1145-1011*	10-1/2"	1"-14-UNS-2B	98.0	67.3	22.0	16.0	29
1xF1145-1210	12-5/8"	7/8"-14-UNF-2B	99.0	67.0	24.0	16.0	27
1xF1145-1211*	12-5/8"	1"-14-UNS-2B	96.0	64.0	16.5	16.0	29

* = Rotalock

▲ = For R1234yf indicate 1xF1149
Per R1234yf indicare 1xF1149

1xF1146

45° ELBOW O-RING FEMALE FITTING WITH CHARGE VALVE RACCORDO FEMMINA O-RING 45° CON VALVOLA DI CARICA

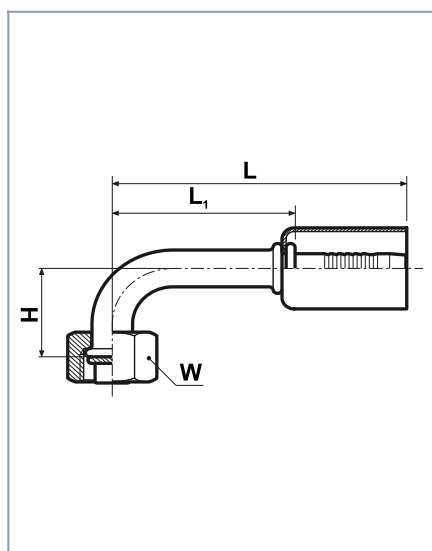


Code Codice	Hose size 1 Size tubo 1	Threading Filettatura	Threading 2 Filettatura 2	L±2,5	L ₁ ±2,5	H±2,5	V±2,0	W
1xF1146-0606	06-5/16"	5/8"-18-UNF-2B	7/16" 20 UNF	80.0	52.8	12.5	16.0	19
1xF1146-0808	08-13/32"	3/4"-16-UNF-2B	7/16" 20 UNF	88.0	57.8	13.5	16.0	22
1xF1146-0811*	08-13/32"	1"-14-UNS-2B	7/16" 20 UNF	85.0	54.8	14.0	16.0	29

* = Rotalock

1xF1190

90° ELBOW O-RING FEMALE FITTING RACCORDO FEMMINA O-RING 90°

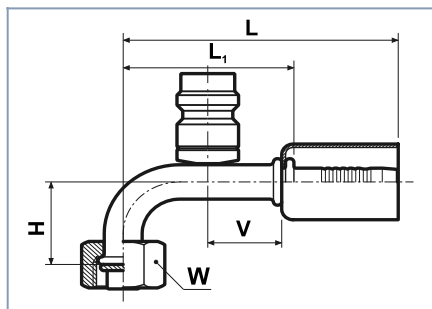


Code Codice	Hose size 1 Size tubo 1	Threading Filettatura	L±2,5	L ₁ ±2,5	H±2,5	W
1xF1190-0606	06-5/16"	5/8"-18-UNF-2B	72.5	45.3	24.0	19
1xF1190-0608	06-5/16"	3/4"-16-UNF-2B	78.0	50.8	35.0	22
1xF1190-0806	08-13/32"	5/8"-18-UNF-2B	66.0	33.0	32.0	19
1xF1190-0808	08-13/32"	3/4"-16-UNF-2B	79.0	48.8	30.0	22
1xF1190-0810	08-13/32"	7/8"-14-UNF-2B	96.0	65.8	50.0	27
1xF1190-0811*	08-13/32"	1"-14-UNS-2B	78.0	47.8	33.0	29
1xF1190-1008	10-1/2"	3/4"-16-UNF-2B	80.0	49.3	35.0	22
1xF1190-1010	10-1/2"	7/8"-14-UNF-2B	92.0	61.3	46.5	27
1xF1190-1011*	10-1/2"	1"-14-UNS-2B	93.0	62.3	39.0	29
1xF1190-1012	10-1/2"	1".1/16-14-UNS-2B	93.0	62.3	39.0	32
1xF1190-1210	12-5/8"	7/8"-14-UNF-2B	89.0	57.0	45.0	27
1xF1190-1211*	12-5/8"	1"-14-UNS-2B	92.5	60.5	38.0	29
1xF1190-1212	12-5/8"	1".1/16-14-UNS-2B	103.0	71.0	54.5	32

* = Rotalock

1xF1194▲

90° ELBOW O-RING FEMALE FITTING WITH HIGH PRESSURE VALVE RACCORDO FEMMINA O-RING 90° CON VALVOLA ALTA PRESSIONE



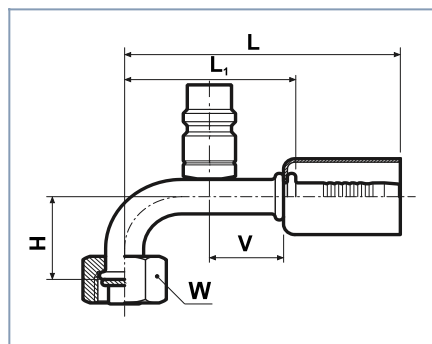
Code Codice	Hose size 1 Size tubo 1	Threading Filettatura	L±2,5	L ₁ ±2,5	H±2,5	V±2,0	W
1xF1194-0606	06-5/16"	5/8"-18-UNF-2B	72.5	45.3	24.0	16.0	19
1xF1194-0808	08-13/32"	3/4"-16-UNF-2B	79.0	48.8	30.0	16.0	22
1xF1194-0811*	08-13/32"	1"-14-UNS-2B	79.5	49.3	32.0	16.0	29

* = Rotalock

▲ = For R1234yf indicate 1xF1198
Per R1234yf indicare 1xF1198

1xF1195▲

90° ELBOW O-RING FEMALE FITTING WITH LOW PRESSURE VALVE RACCORDO FEMMINA O-RING 90° CON VALVOLA BASSA PRESSIONE



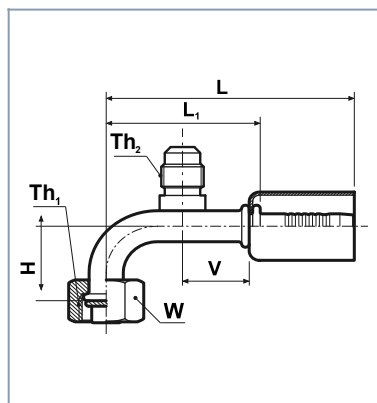
Code Codice	Hose size 1 Size tubo 1	Threading Filettatura	L±2,5	L ₁ ±2,5	H±2,5	V±2,0	W
1xF1195-1010	10-1/2"	7/8"-14-UNF-2B	92.0	61.3	46.5	16.0	27
1xF1195-1011*	10-1/2"	1"-14-UNS-2B	93.0	62.3	39.0	16.0	29
1xF1195-1210	12-5/8"	7/8"-14-UNF-2B	89.0	57.0	45.0	16.0	27
1xF1195-1211*	12-5/8"	1"-14-UNS-2B	92.5	60.5	38.0	16.0	29
1xF1195-1212	12-5/8"	1".1/16-14-UNS-2B	103.0	71.0	54.5	16.0	32

* = Rotalock

▲ = For R1234yf indicate 1xF1199
Per R1234yf indicare 1xF1199

1xF1196

90° ELBOW O-RING FEMALE FITTING WITH CHARGE VALVE RACCORDO FEMMINA O-RING 90° CON VALVOLA DI CARICA



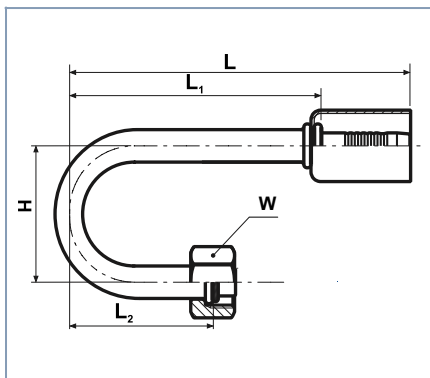
Code Codice	Hose size 1 Size tubo 1	Threading Filettatura	Threading 2 Filettatura 2	L±2,5	L ₁ ±2,5	H±2,5	V±2,0	W
1xF1196-0606	06-5/16"	5/8"-18-UNF-2B	7/16" 20 UNF	72.5	45.3	24.0	16.0	19
1xF1196-0808	08-13/32"	3/4"-16-UNF-2B	7/16" 20 UNF	79.0	48.8	30.0	16.0	22
1xF1196-0811*	08-13/32"	1"-14-UNS-2B	7/16" 20 UNF	79.5	49.3	32.0	16.0	29
1xF1196-1010	10-1/2"	7/8"-14-UNF-2B	7/16" 20 UNF	92.0	61.3	46.5	16.0	27
1xF1196-1011*	10-1/2"	1"-14-UNS-2B	7/16" 20 UNF	93.0	62.3	39.0	16.0	29
1xF1196-1210	12-5/8"	7/8"-14-UNF-2B	7/16" 20 UNF	89.0	57.0	45.0	16.0	27
1xF1196-1211*	12-5/8"	1"-14-UNS-2B	7/16" 20 UNF	92.5	60.5	38.0	16.0	29

* = Rotalock

1xF11U0

180° ELBOW O-RING FEMALE FITTING

RACCORDO FEMMINA O-RING 180°



Code Codice	Hose size 1 Size tubo 1	Threading Filettatura	L \pm 2,5	L ₁ \pm 2,5	L ₂ \pm 2,5	H \pm 2,5	W
1xF11U0-0606(2)	06-5/16"	5/8"-18-UNF-2B	85.0	57.8	32.4	50.0	19
1xF11U0-0808KA4(2)	08-13/32"	3/4"-16-UNF-2B	90.0	59.8	30.0	65.0	22
1xF11U0-0811*(2)	08-13/32"	1"-14-UNS-2B	96.0	65.8	49.8	75.0	29
1xF11U0-1010(1)	10-1/2"	7/8"-14-UNF-2B	96.0	65.3	49.0	48.0	27
1xF11U0-1011*(1)	10-1/2"	1"-14-UNS-2B	97.0	66.3	50.0	50.0	29
1xF11U0-1212(2)	12-5/8"	1".1/16-14-UNS-2B	145.0	113.0	77.0	70.0	32

* = Rotalock

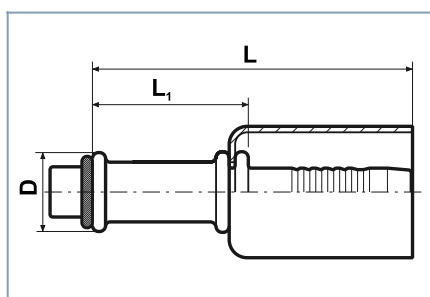
(1) = 1 curva – 1 bend

(2) = 2 curve a 90° - 2 x 90° bends

1xF2100

STRAIGHT FITTING FOR EXPANSION VALVE

RACCORDO DRITTO PER VALVOLA A ESPANSIONE

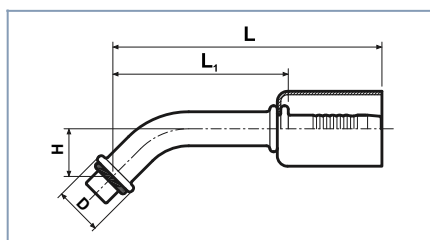


Code Codice	Hose size 1 Size tubo 1	Threading Filettatura	L \pm 2,5	L ₁ \pm 2,5	D
1xF2100-0613	06-5/16"	-	55.5	28.3	13
1xF2100-0614	06-5/16"	-	55.5	28.3	14
1xF2100-1019	10-1/2"	-	68.0	37.3	19
1xF2100-1023	10-1/2"	-	68.0	37.3	23
1xF2100-1223	12-5/8"	-	68.0	36.0	23

1xF2140

45° ELBOW FITTING FOR EXPANSION VALVE

RACCORDO 45° PER VALVOLA A ESPANSIONE

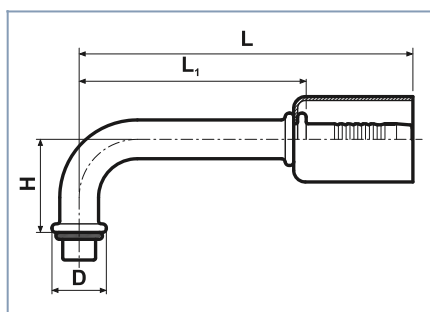


Code Codice	Hose size 1 Size tubo 1	Threading Filettatura	L \pm 2,5	L ₁ \pm 2,5	D	H \pm 2,5
1xF2140-0613	06-5/16"	-	79.0	51.8	13	14.0
1xF2140-0614	06-5/16"	-	79.0	51.8	14	14.0
1xF2140-1019	10-1/2"	-	99.0	68.3	19	24.0
1xF2140-1023	10-1/2"	-	99.0	68.3	23	18.5
1xF2140-1223	12-5/8"	-	110.5	78.5	23	24.0

1xF2190

90° ELBOW FITTING FOR EXPANSION VALVE

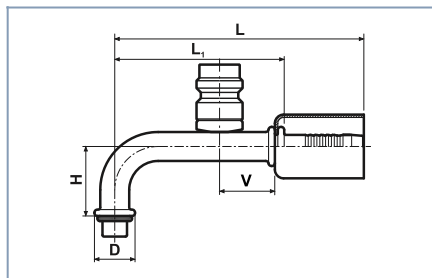
RACCORDO 90° PER VALVOLA A ESPANSIONE



Code Codice	Hose size 1 Size tubo 1	Threading Filettatura	L \pm 2,5	L ₁ \pm 2,5	D	H \pm 2,5
1xF2190-0613	06-5/16"	-	86.0	58.8	13	24.0
1xF2190-0613MA0	06-5/16"	-	72.5	45.3	13	40.0
1xF2190-0614	06-5/16"	-	86.0	58.8	14	24.0
1xF2190-0614MA3	06-5/16"	-	86.0	58.8	14	46.0
1XF2190-1019	10-1/2"	-	94.5	63.8	19	42.5
1xF2190-1023	10-1/2"	-	94.5	63.8	23	42.5
1xF2190-1223	12-5/8"	-	100.0	68.0	23	44.0

1xF2194▲

90° ELBOW FITTING FOR EXPANSION VALVE WITH HP VALVE
RACCORDO 90° PER VALVOLA A ESPANSIONE CON VALVOLA AP

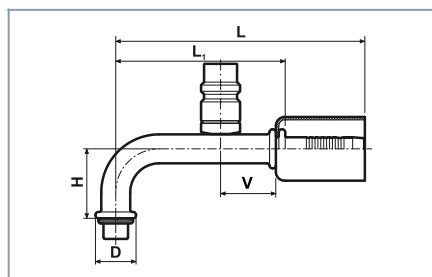


Code Codice	Hose size 1 Size tubo 1	Threading Filettatura	L \pm 2,5	L ₁ \pm 2,5	H \pm 2,5	V \pm 2,0	D
1xF2194-0614	06-5/16"	-	86.0	58.8	24.0	16.0	14

▲ = For R1234yf indicate 1xF2198
 Per R1234yf indicare 1xF2198

1xF2195▲

90° ELBOW FITTING FOR EXPANSION VALVE WITH LP VALVE
RACCORDO 90° PER VALVOLA A ESPANSIONE CON VALVOLA BP

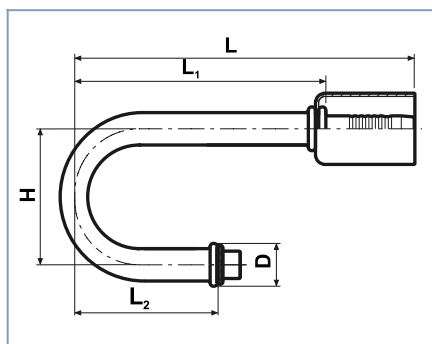


Code Codice	Hose size 1 Size tubo 1	Threading Filettatura	L \pm 2,5	L ₁ \pm 2,5	H \pm 2,5	V \pm 2,0	D
1xF2195-1023	10-1/2"	-	94.5	63.8	42.5	16.0	23
1xF2195-1223	12-5/8"	-	100.0	68.0	44.0	16.0	23
1xF2195-1223KA4	12-5/8"	-	88.0	56.0	41.2	25.0	23

▲ = For R1234yf indicate 1xF2199
 Per R1234yf indicare 1xF2199

1xF21U0

180° ELBOW FITTING FOR EXPANSION VALVE
RACCORDO 180° PER VALVOLA A ESPANSIONE



Code Codice	Hose size 1 Size tubo 1	Threading Filettatura	L \pm 2,5	L ₁ \pm 2,5	L ₂ \pm 2,5	D	H \pm 2,5
1xF21U0-0614(*)	06-5/16"	-	96.0	68.8	47.5	14	40.0
1xF21U0-0614KA0(*)	06-5/16"	-	tbd	tbd	tbd	14	tbd
1xF21U0-1023(*)	10-1/2"	-	102.0	71.3	41.7	23	50.0
1xF21U0-1219(*)	12-5/8"	-	102.0	70.0	41.7	19	52.0
1xF21U0-1223(*)	12-5/8"	-	102.0	70.0	41.7	23	52.0

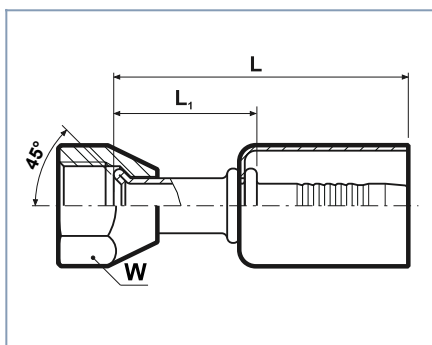
(*) = 1 curva - 1 bend

(?) = 2 curve a 90° - 2 x 90° bends

tbd = to be defined / in fase di definizione

1xF4100

45° SAE STRAIGHT FEMALE FITTING
RACCORDO FEMMINA DRITTA 45° SAE

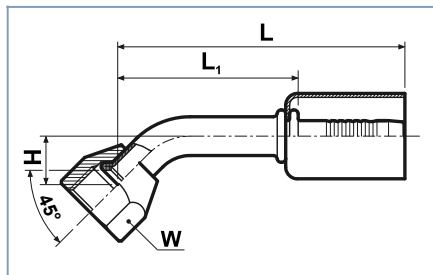


Code Codice	Hose size 1 Size tubo 1	Threading Filettatura	L \pm 2,5	L ₁ \pm 2,5	W
1xF4100-0604	06-5/16"	7/16"-20-UNF-2B	74.0	46.8	14
1xF4100-0606	06-5/16"	5/8"-18-UNF-2B	74.0	46.8	19
1xF4100-0808	08-13/32"	3/4"-16-UNF-2B	78.0	47.8	22
1xF4100-1008	10-1/2"	3/4"-16-UNF-2B	78.5	47.8	22
1xF4100-1010	10-1/2"	7/8"-14-UNF-2B	79.0	48.3	27
1xF4100-1210	12-5/8"	7/8"-14-UNF-2B	99.0	67.0	27
1xF4100-1212	12-5/8"	1.1/16"-14-UNS-2B	tbd	tbd	32

tbd = to be defined / in fase di definizione

1xF4140

45° ELBOW 45° SAE FEMALE FITTING RACCORDO FEMMINA 45° SAE CURVA 45°

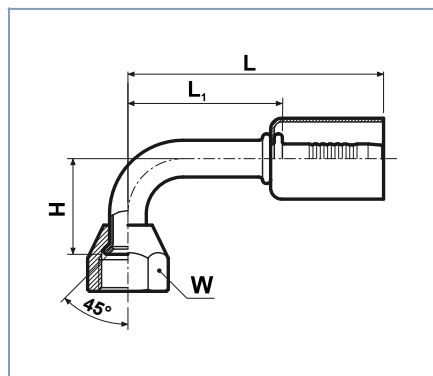


Code Codice	Hose size 1 Size tubo 1	Threading Filettatura	L±2,5	L ₁ ±2,5	H±2,5	W
1xF4140-0606	06-5/16"	5/8"-18-UNF-2B	124.7	97.5	12.9	19
1xF4140-0808	08-13/32"	3/4"-16-UNF-2B	132.5	102.3	16.5	22
1xF4140-1010	10-1/2"	7/8"-14-UNF-2B	130.0	99.3	17.9	27
1xF4140-1210	12-5/8"	7/8"-14-UNF-2B	tbd	tbd	tbd	27
1xF4140-1212	12-5/8"	1.1/16"-14-UNS-2B	tbd	tbd	tbd	32

tbd = to be defined / in fase di definizione

1xF4190

90° ELBOW 45° SAE FEMALE FITTING RACCORDO FEMMINA 45° SAE CURVA 90°

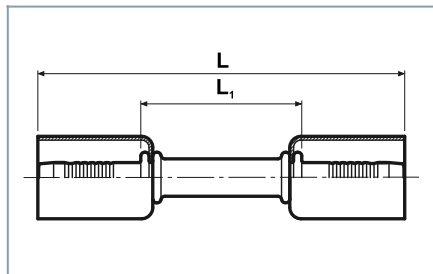


Code Codice	Hose size 1 Size tubo 1	Threading Filettatura	L±2,5	L ₁ ±2,5	H±2,5	W
1xF4190-0604	06-5/16"	7/16"-20-UNF-2B	58.5	31.3	27	14
1xF4190-0606	06-5/16"	5/8"-18-UNF-2B	tbd	tbd	tbd	19
1xF4190-0806	08-13/32"	5/8"-18-UNF-2B	72.0	41.8	27.0	19
1xF4190-0808	08-13/32"	3/4"-16-UNF-2B	112.0	81.8	35.0	22
1xF4190-1008	10-1/2"	3/4"-16-UNF-2B	82.5	51.8	35.0	22
1xF4190-1010	10-1/2"	7/8"-14-UNF-2B	106.0	75.3	40.0	27
1xF4190-1210	12-5/8"	7/8"-14-UNF-2B	105.0	73.0	40.0	27
1xF4190-1212	12-5/8"	1.1/16"-14-UNS-2B	tbd	tbd	tbd	32

tbd = to be defined / in fase di definizione

1xJ0000

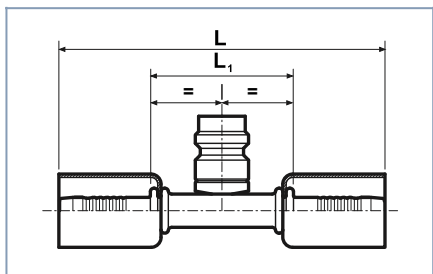
STRAIGHT CONNECTION FITTING CONGIUNZIONE DRITTA



Code Codice	Hose size 1 Size tubo 1	Hose size 2 Size tubo 2	L±2,5	L ₁ ±2,5
1xJ0000-0606	06-5/16"	06-5/16"	98.0	43.6
1xJ0000-0608	06-5/16"	08-13/32"	100.0	45.6
1xJ0000-0808	08-13/32"	08-13/32"	100.0	39.6
1xJ0000-1010	10-1/2"	10-1/2"	102.0	40.6
1xJ0000-1012	10-1/2"	12-5/8"	109.0	47.6
1xJ0000-1212	12-5/8"	12-5/8"	104.0	40.0

1xJ0004▲

CONNECTION FITTING WITH HIGH PRESSURE VALVE CONGIUNZIONE DRITTA CON VALVOLA ALTA PRESSIONE

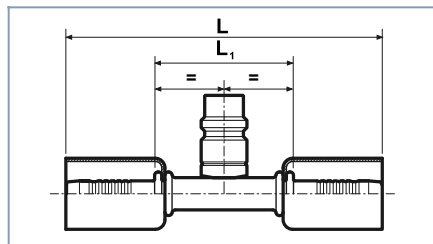


Code Codice	Hose size 1 Size tubo 1	Hose size 2 Size tubo 2	L±2,5	L ₁ ±2,5
1xJ0004-0606	06-5/16"	06-5/16"	98.0	43.6
1xJ0004-0808	08-13/32"	08-13/32"	100.0	39.6
1xJ0004-1010	10-1/2"	10-1/2"	102.0	41.6

▲ = For R1234yf indicate 1xJ0008
Per R1234yf indicare 1xJ0008

1xJ0005▲

CONNECTION FITTING WITH LOW PRESSURE VALVE CONGIUNZIONE DRITTA CON VALVOLA BASSA PRESSIONE

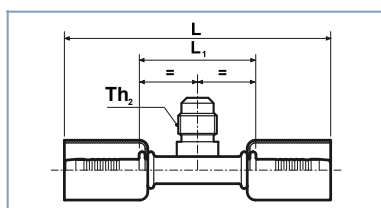


Code Codice	Hose size 1 Size tubo 1	Hose size 2 Size tubo 2	L \pm 2,5	L $_1$ \pm 2,5
1xJ0005-0808	08-13/32"	08-13/32"	100.0	39.6
1xJ0005-1010	10-1/2"	10-1/2"	102.0	40.6
1xJ0005-1212	12-5/8"	12-5/8"	104.0	40.0

▲ = For R1234yf indicate 1xJ0009
Per R1234yf indicare 1xJ0009

1xJ0006

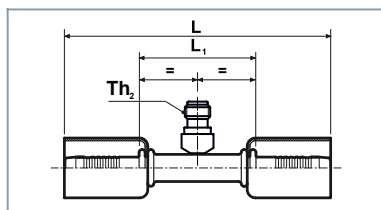
STRAIGHT CONNECTION WITH CHARGE VALVE CONGIUNZIONE DRITTA CON VALVOLA DI CARICA



Code Codice	Hose size 1 Size tubo 1	Hose size 2 Size tubo 2	Threading 2 Filettatura 2	L \pm 2,5	L $_1$ \pm 2,5
1xJ0006-0606	06-5/16"	06-5/16"	7/16" 20 UNF	98.0	43.6
1xJ0006-0808	08-13/32"	08-13/32"	7/16" 20 UNF	100.0	39.6
1xJ0006-1010	10-1/2"	10-1/2"	7/16" 20 UNF	102.0	40.6
1xJ0006-1212	12-5/8"	12-5/8"	7/16" 20 UNF	104.0	40.0

1xJ0007

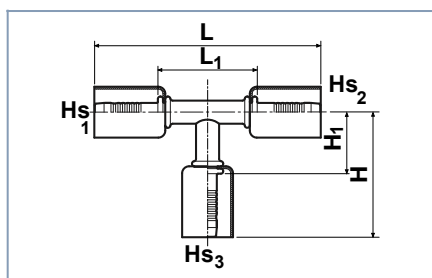
STRAIGHT CONNECTION WITH PRESSURE SWITCH CONGIUNZIONE DRITTA CON VALVOLA PRESSOSTATO



Code Codice	Hose size 1 Size tubo 1	Hose size 2 Size tubo 2	Threading 2 Filettatura 2	L \pm 2,5	L $_1$ \pm 2,5
1xJ0007-0606	06-5/16"	06-5/16"	M10x1.25	98.0	43.6
1xJ0007-0808	08-13/32"	08-13/32"	M10x1.25	100.0	45.6

1xJ00T0

"T" CONNECTION CONGIUNZIONE A "T"

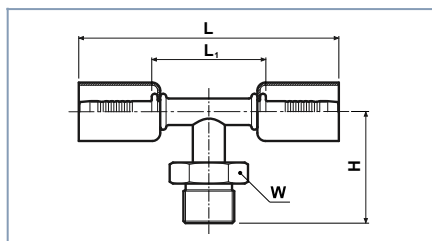


Code Codice	Hose size 1 Size tubo 1	Hose size 2 Size tubo 2	Hose size 3 Size tubo 3	L \pm 2,5	L $_1$ \pm 2,5	H \pm 2,5	H $_1$ \pm 2,5
1xJ00T0-060606	06-5/16"	06-5/16"	06-5/16"	98.0	43.6	61.0	33.8
1xJ00T0-080808	08-13/32"	08-13/32"	08-13/32"	100.0	39.6	60.5	30.3
1xJ00T0-101010	10-1/2"	10-1/2"	10-1/2"	tbd	tbd	tbd	tbd
1xJ00T0-121212	12-5/8"	12-5/8"	12-5/8"	tbd	tbd	tbd	tbd

tbd = to be defined / in fase di definizione

1xJ00T1

"T" CONNECTION WITH CENTRAL FIXED MAIN CONGIUNZIONE A "T" CON FISSAGGIO CENTRALE

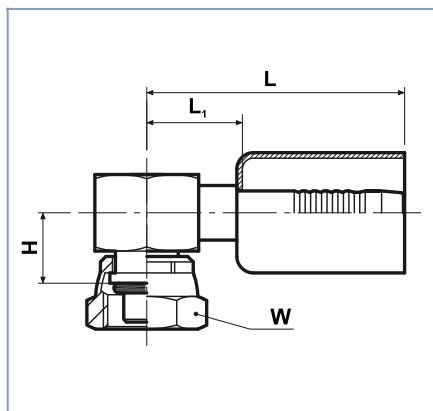


Code Codice	Hose size 1 Size tubo 1	Hose size 2 Size tubo 2	Threading Filettatura	L \pm 2,5	L $_1$ \pm 2,5	H \pm 2,5	W
1xJ00T1-060606	06-5/16"	06-5/16"	5/8"-18-UNF-2B	98.0	43.6	25.0	19
1xJ00T1-080808	08-13/32"	08-13/32"	3/4"-16-UNF-2B	tbd	tbd	tbd	-
1xJ00T1-101010	10-1/2"	10-1/2"	7/8"-14-UNF-2B	102.0	40.6	50.0	27

tbd = to be defined / in fase di definizione

1xK1190

COMPACT FITTING O-RING FEMALE RACCORDO FEMMINA COMPATTA O-RING 90°

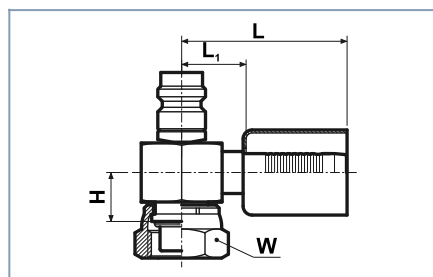


Code Codice	Hose size 1 Size tubo 1	Threading Filettatura	L±2,5	L ₁ ±2,5	H±2,5	W
1xK1190-0606	06-5/16"	5/8"-18-UNF-2B	47.0	17.5	12.9	19
1xK1190-0806	08-13/32"	5/8"-18-UNF-2B	51.0	18.0	12.9	19
1xK1190-0808	08-13/32"	3/4"-16-UNF-2B	52.0	19.0	16.0	22
1xK1190-0811*	08-13/32"	1"-14-UNS-2B	55.5	22.5	16.4	29
1xK1190-1008	10-1/2"	3/4"-16-UNF-2B	52.5	19	16.0	22
1xK1190-1010	10-1/2"	7/8"-14-UNF-2B	55.0	21.5	16.4	27
1xK1190-1011*	10-1/2"	1"-14-UNS-2B	56.0	22.5	16.4	29
1xK1190-1210	12-5/8"	7/8"-14-UNF-2B	58.0	23.2	16.4	27
1xK1190-1211*	12-5/8"	1"-14-UNS-2B	59.0	24.2	16.4	29

* = Rotalock

1xK1194▲

COMPACT FITTING O-RING FEMALE WITH HIGH PRESSURE VALVE RACCORDO FEMMINA COMPATTA O-RING 90° CON VALVOLA ALTA PRESSIONE



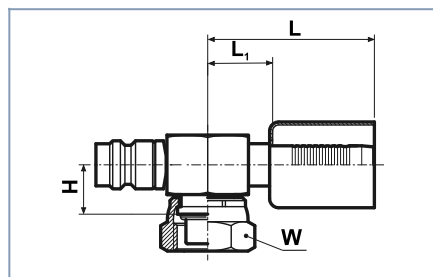
Code Codice	Hose size 1 Size tubo 1	Threading Filettatura	L±2,5	L ₁ ±2,5	H±2,5	W
1xK1194-0606	06-5/16"	5/8"-18-UNF-2B	47.0	17.5	12.9	19
1xK1194-0808	08-13/32"	3/4"-16-UNF-2B	52.2	19.2	16.0	22
1xK1194-0811*	08-13/32"	1"-14-UNS-2B	55.7	22.7	16.4	29

* = Rotalock

▲ = For R1234yf indicate 1xK1198
Per R1234yf indicare 1xK1198

1xK1194▲...PA6

COMPACT FITTING O-RING FEMALE WITH HIGH PRESSURE VALVE RACCORDO FEMMINA COMPATTA O-RING 90° CON VALVOLA ALTA PRESSIONE



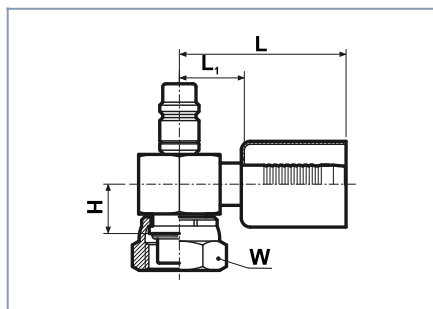
Code Codice	Hose size 1 Size tubo 1	Threading Filettatura	L±2,5	L ₁ ±2,5	H±2,5	W
1xK1194-0606PA6	06-5/16"	5/8"-18-UNF-2B	47.0	17.5	12.9	19
1xK1194-0808PA6	08-13/32"	3/4"-16-UNF-2B	52.2	19.2	16.0	22
1xK1194-0811PA6*	08-13/32"	1"-14-UNS-2B	55.5	22.5	16.4	29

* = Rotalock

▲ = For R1234yf indicate 1xK1198
Per R1234yf indicare 1xK1198

1xK1195▲

COMPACT FITTING O-RING FEMALE WITH LOW PRESSURE VALVE RACCORDO FEMMINA COMPATTA O-RING CON VALVOLA BASSA PRESSIONE



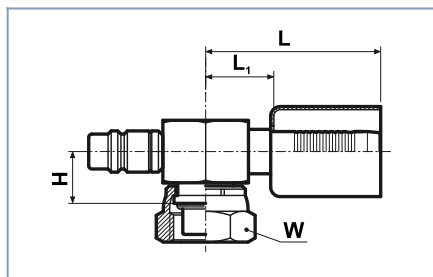
Code Codice	Hose size 1 Size tubo 1	Threading Filettatura	L±2,5	L ₁ ±2,5	H±2,5	W
1xK1195-1010	10-1/2"	7/8"-14-UNF-2B	55.0	21.5	16.4	27
1xK1195-1011*	10-1/2"	1"-14-UNS-2B	56.2	22.7	16.4	29
1xK1195-1210	12-5/8"	10-1/2"	58.0	23.2	16.4	27
1xK1195-1211*	12-5/8"	1"-14-UNS-2B	59.0	24.2	16.4	29

* = Rotalock

▲ = For R1234yf indicate 1xF1199
Per R1234yf indicare 1xF1199

1xK1195▲...PA6

COMPACT FITTING O-RING FEMALE WITH LOW PRESSURE VALVE RACCORDO FEMMINA COMPATTA O-RING CON VALVOLA BASSA PRESSIONE



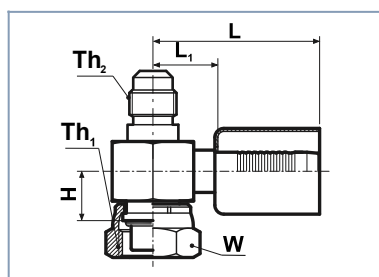
Code Codice	Hose size 1 Size tubo 1	Threading Filettatura	L±2,5	L ₁ ±2,5	H±2,5	W
1xK1195-1010PA6	10-1/2"	7/8"-14-UNF-2B	55.2	21.7	16.4	27
1xK1195-1011PA6*	10-1/2"	1"-14-UNS-2B	56.2	22.7	16.4	29
1xK1195-1211PA6*	12-5/8"	1"-14-UNS-2B	59.0	24.2	16.4	29

* = Rotalock

▲ = For R1234yf indicate 1xF1199
Per R1234yf indicare 1xF1199

1xK1196

COMPACT FITTING O-RING FEMALE WITH CHARGE VALVE RACCORDO FEMMINA COMPATTA O-RING CON VALVOLA DI CARICA

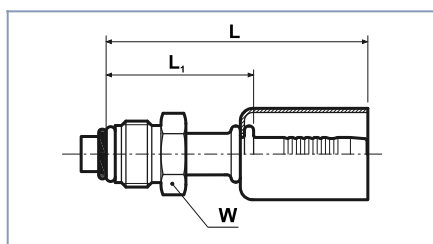


Code Codice	Hose size 1 Size tubo 1	Threading Filettatura	Threading 2 Filettatura 2	L±2,5	L ₁ ±2,5	H±2,5	W
1xK1196-0606	06-5/16"	5/8"-18-UNF-2B	7/16" 20 UNF	47.0	17.5	12.9	19
1xK1196-0808	08-13/32"	3/4"-16-UNF-2B	7/16" 20 UNF	52.0	19.0	16.0	22
1xK1196-0811*	08-13/32"	1"-14-UNS-2B	7/16" 20 UNF	55.5	22.5	16.4	29
1xK1196-1010	10-1/2"	7/8"-14-UNF-2B	7/16" 20 UNF	55.0	21.5	16.4	27
1xK1196-1011*	10-1/2"	1"-14-UNS-2B	7/16" 20 UNF	56.0	22.5	16.4	29

* = Rotalock

1xM3100

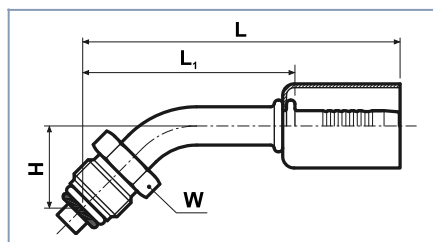
STRAIGHT O-RING SWIVEL MALE FITTING RACCORDO MASCHIO O-RING GIREVOLE DRITTO



Code Codice	Hose size 1 Size tubo 1	Threading Filettatura	L±2,5	L ₁ ±2,5	W
1xM3100-0606	06-5/16"	5/8"-18-UNF-2A	63.0	35.8	17
1xM3100-0808	08-13/32"	3/4"-18-UNF-2A	82.5	52.3	22
1xM3100-1010	10-1/2"	7/8"-18-UNS-2A	74.0	43.3	22
1xM3100-1210	12-5/8"	7/8"-18-UNS-2A	76.0	44.0	22
1xM3100-1212	12-5/8"	1".1/16-16-UN-2A	76.0	44.0	27

1xM3140

45° ELBOW O-RING SWIVEL MALE FITTING RACCORDO MASCHIO O-RING GIREVOLE CURVA 45°

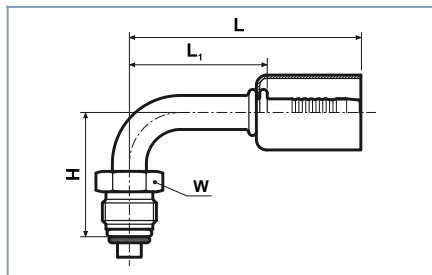


Code Codice	Hose size 1 Size tubo 1	Threading Filettatura	L±2,5	L ₁ ±2,5	H±2,5	W
1xM3140-0606	06-5/16"	5/8"-18-UNF-2A	83.0	55.8	21.5	17
1xM3140-0808	08-13/32"	3/4"-18-UNF-2A	101.0	70.8	25.0	22
1xM3140-1010	10-1/2"	7/8"-18-UNS-2A	102.5	71.8	30.0	22
1xM3140-1210	12-5/8"	7/8"-18-UNS-2A	100.5	68.5	30.0	22
1xM3140-1212	12-5/8"	1".1/16-16-UN-2A	127.5	95.5	30.0	27

1xM3190

90° ELBOW O-RING SWIVEL MALE FITTING

RACCORDO MASCHIO O-RING GIREVOLE CURVA 90°

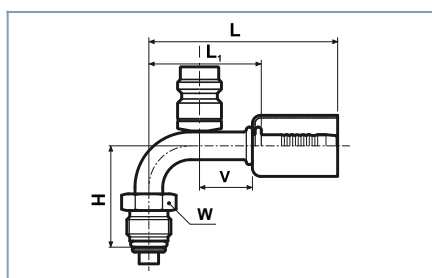


Code Codice	Hose size 1 Size tubo 1	Threading Filettatura	L±2,5	L ₁ ±2,5	H±2,5	W
1xM3190-0606	06-5/16"	5/8"-18-UNF-2A	68.0	40.8	36.5	17
1xM3190-0808	08-13/32"	3/4"-18-UNF-2A	79.0	48.8	48.0	22
1xM3190-1008	10-1/2"	3/4"-18-UNF-2A	80.5	49.8	48.0	22
1xM3190-1010	10-1/2"	7/8"-18-UNS-2A	87.0	56.3	54.5	22
1xM3190-1210	12-5/8"	7/8"-18-UNS-2A	87.0	55.0	54.5	22
1xM3190-1212	12-5/8"	1".1/16-16-UN-2A	87.0	55.0	54.5	27

1xM3194▲

90° ELBOW O-RING SWIVEL MALE FITTING WITH HIGH PRESSURE VALVE

RACCORDO MASCHIO O-RING GIREVOLE CURVA 90° VALVOLA ALTA PRESSIONE



Code Codice	Hose size 1 Size tubo 1	Threading Filettatura	L±2,5	L ₁ ±2,5	H±2,5	V±2,0	W
1xM3194-0606	06-5/16"	5/8"-18-UNF-2A	68.0	40.8	36.5	16.0	17
1xM3194-0808	08-13/32"	3/4"-18-UNF-2A	79.0	48.8	48.0	16.0	22

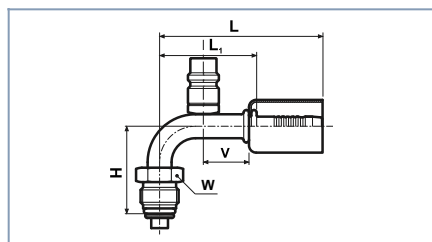
▲ = For R1234yf indicate 1xM3198

Per R1234yf indicare 1xM3198

1xM3195▲

90° ELBOW O-RING SWIVEL MALE FITTING WITH LOW PRESSURE VALVE

RACCORDO MASCHIO O-RING GIREVOLE CURVA 90° VALVOLA BASSA PRESSIONE



Code Codice	Hose size 1 Size tubo 1	Threading Filettatura	L±2,5	L ₁ ±2,5	H±2,5	V±2,0	W
1xM3195-1010	10-1/2"	7/8"-14-UNF-2B	87.0	56.3	54.5	16.0	22

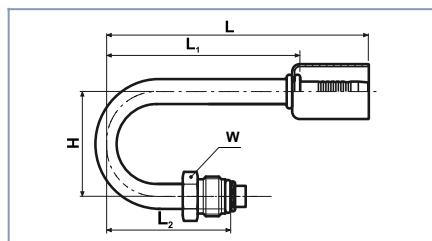
▲ = For R1234yf indicate 1xM3199

Per R1234yf indicare 1xM3199

1xM31U0

180° ELBOW O-RING SWIVEL MALE FITTING

RACCORDO MASCHIO O-RING GIREVOLE CURVA 180°



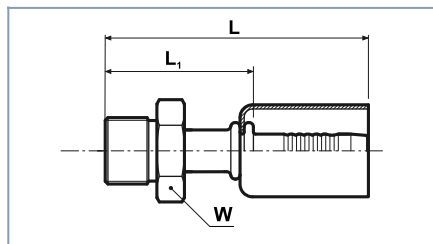
Code Codice	Hose size 1 Size tubo 1	Threading Filettatura	L±2,5	L ₁ ±2,5	L ₂ ±2,5	H±2,5	W
1xM31U0-0606(?)	06-5/16"	5/8"-18-UNF-2A	104.5	77.3	53.3	42.0	17
1xM31U0-1010(1)	10-1/2"	7/8"-18-UNS-2A	108.0	77.3	52.8	50.0	22

(1) = 1 curva – 1 bend

(?) = 2 curve a 90° - 2 x 90° bends

1xM3300

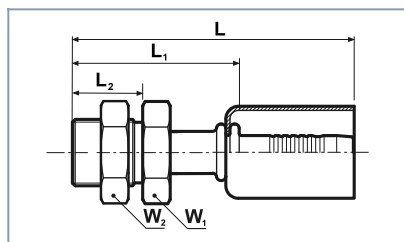
STRAIGHT O-RING FIXED MALE FITTING RACCORDO MASCHIO FISSO O-RING DRITTO



Code Codice	Hose size 1 Size tubo 1	Threading Filettatura	$L_{\pm 2,5}$	$L_{1\pm 2,5}$	W
1xM3300-0606	06-5/16"	5/8"-18-UNF-2A	56.0	28.8	17
1xM3300-0806	08-13/32"	5/8"-18-UNF-2A	67.0	36.8	17
1xM3300-0808	08-13/32"	3/4"-16-UNF-2A	68.0	37.8	22
1xM3300-1010	10-1/2"	7/8"-14-UNF-2A	73.0	42.3	24
1xM3300-1210	12-5/8"	7/8"-14-UNF-2A	70.0	38.0	24

1xM3300...EA2

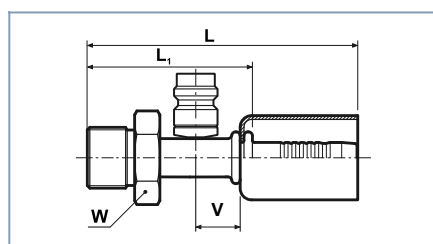
STRAIGHT O-RING FIXED MALE FITTING WITH COUNTER NUT BULKHEAD RACCORDO MASCHIO FISSO O-RING DRITTO CON CONTRODADO PASSA PARETE



Code Codice	Hose size 1 Size tubo 1	Threading Filettatura	$L_{\pm 2,5}$	$L_{1\pm 2,5}$	$L_{2\pm 2,5}$	W ₁	W ₂
1xM3300-0606EA2	06-5/16"	5/8"-18-UNF-2A	75.5	48.3	25.5	24	24
1xM3300-0806EA2	08-13/32"	5/8"-18-UNF-2A	111.0	80.8	25.5	24	24
1xM3300-0808EA2	08-13/32"	3/4"-16-UNF-2A	112.5	82.3	26	29	29
1xM3300-1010EA2	10-1/2"	7/8"-14-UNF-2A	83.0	52.3	25.5	29	29
1xM3300-1210EA2	12-5/8"	7/8"-14-UNF-2A	67.5	36.8	25.5	29	29

1xM3304▲

STRAIGHT O-RING FIXED MALE FITTING WITH HIGH PRESSURE VALVE RACCORDO MASCHIO FISSO O-RING DRITTO CON VALVOLA ALTA PRESSIONE

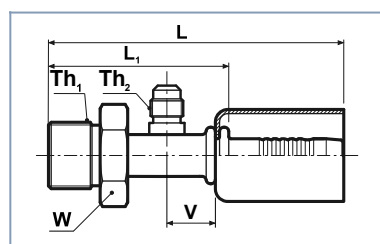


Code Codice	Hose size 1 Size tubo 1	Threading Filettatura	$L_{\pm 2,5}$	$L_{1\pm 2,5}$	$V_{\pm 2,0}$	W
1xM3304-0606	06-5/16"	5/8"-18-UNF-2A	101.2	74.0	29.3	17
1xM3304-0808	08-13/32"	3/4"-16-UNF-2A	88.0	57.8	16.0	22

▲ = For R1234yf indicate 1xM3308
Per R1234yf indicare 1xM3308

1xM3306

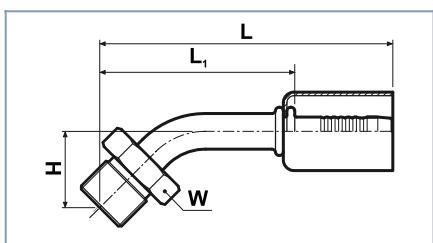
STRAIGHT O-RING FIXED MALE FITTING WITH CHARGE VALVE RACCORDO MASCHIO FISSO O-RING DRITTO CON VALVOLA DI CARICA



Code Codice	Hose size 1 Size tubo 1	Threading Filettatura	Threading 2 Filettatura 2	$L_{\pm 2,5}$	$L_{1\pm 2,5}$	$V_{\pm 2,0}$	W
1xM3306-0606	06-5/16"	5/8"-18-UNF-2A	7/16" 20 UNF	101.2	74.0	29.3	17

1xM3340

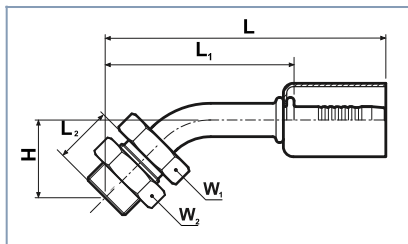
45° ELBOW O-RING FIXED MALE FITTING RACCORDO MASCHIO FISSO O-RING CURVA 45°



Code Codice	Hose size 1 Size tubo 1	Threading Filettatura	$L_{\pm 2,5}$	$L_{1\pm 2,5}$	$H_{\pm 2,5}$	W
1xM3340-0606	06-5/16"	5/8"-18-UNF-2A	93.5	66.3	19.5	17
1xM3340-0808	08-13/32"	3/4"-16-UNF-2A	105.0	74.8	24.0	22
1xM3340-1010	10-1/2"	7/8"-14-UNF-2A	106.0	75.3	29.0	24

1xM3340...EA2

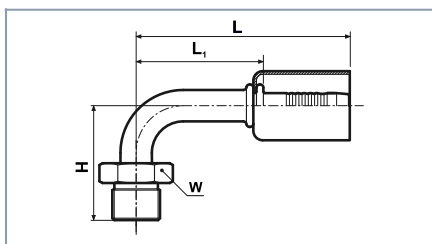
45° ELBOW O-RING FIXED MALE FITTING WITH COUNTER NUT BULKHEAD RACCORDO MASCHIO FISSO O-RING CURVA 45° PASSA PARETE



Code Codice	Hose size 1 Size tubo 1	Threading Filettatura	L±2,5	L ₁ ±2,5	L ₂ ±2,5	H±2,5	W ₁	W ₂
1xM3340-0606EA2	06-5/16"	5/8"-18-UNF-2A	102.0	74.8	25.5	30.5	24	24
1xM3340-0808EA2	08-13/32"	3/4"-16-UNF-2A	94.9	64.7	26	38.9	29	29
1xM3340-1010EA2	10-1/2"	7/8"-14-UNF-2A	109.0	78.3	25.5	33.5	29	29

1xM3390

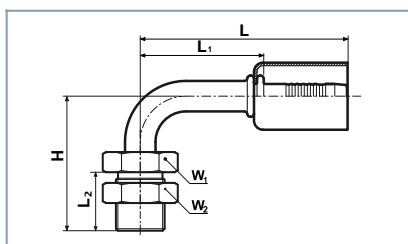
90° ELBOW O-RING FIXED MALE FITTING RACCORDO MASCHIO FISSO O-RING 90°



Code Codice	Hose size 1 Size tubo 1	Threading Filettatura	L±2,5	L ₁ ±2,5	H±2,5	W
1xM3390-0606	06-5/16"	5/8"-18-UNF-2A	68.7	41.5	41.5	17
1xM3390-0808	08-13/32"	3/4"-16-UNF-2A	79.0	48.8	45.0	22
1xM3390-1010	10-1/2"	7/8"-14-UNF-2A	99.0	68.3	56.0	24

1xM3390...EA2

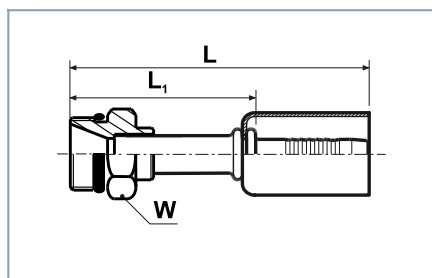
90° ELBOW O-RING FIXED MALE BULKHEAD FITTING RACCORDO MASCHIO FISSO O-RING 90° PASSA PARETE



Code Codice	Hose size 1 Size tubo 1	Threading Filettatura	L±2,5	L ₁ ±2,5	L ₂ ±2,5	H±2,5	W ₁	W ₂
1xM3390-0606EA2	06-5/16"	5/8"-18-UNF-2A	68.7	41.5	25.5	55.0	24	24
1xM3390-0808EA2	08-13/32"	3/4"-16-UNF-2A	80.5	50.3	26	58.0	29	29
1xM3390-1010EA2	10-1/2"	7/8"-14-UNF-2A	85.2	54.5	25.5	64.0	29	29

1xM3400

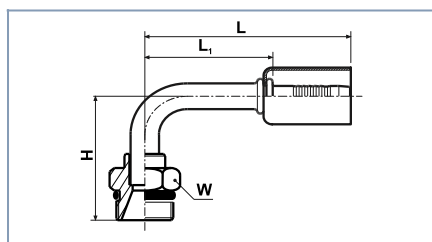
STRAIGHT O-RING FIXED MALE FAST CONNECTION FITTING RACCORDO MASCHIO FISSO O-RING DRITTO ATTACCO RAPIDO



Code Codice	Hose size 1 Size tubo 1	Threading Filettatura	L±2,5	L ₁ ±2,5	W
1xM3400-0608	06-5/16"	7/8"-20-UNF-2A	83.0	52.8	25
1xM3400-0808	08-13/32"	7/8"-20-UNF-2A	70.5	40.3	25
1xM3400-1008	10-1/2"	7/8"-20-UNF-2A	84.0	53.8	25

1xM3490

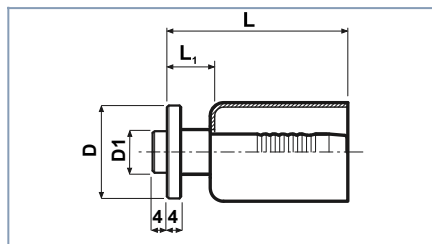
90° ELBOW O-RING FIXED MALE FAST CONNECTION FITTING RACCORDO MASCHIO FISSO O-RING 90° ATTACCO RAPIDO



Code Codice	Hose size 1 Size tubo 1	Threading Filettatura	L±2,5	L ₁ ±2,5	H±2,5	W
1xM3490-0808	08-13/32"	7/8"-20-UNF-2A	71.0	40.8	48.0	25

1xP6100

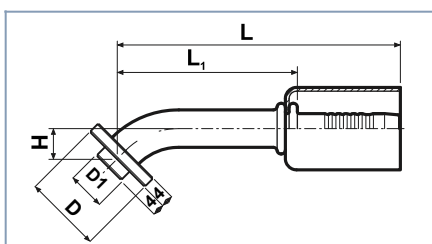
STRAIGHT COMPRESSOR CONNECTION RACCORDO ATTACCO COMPRESSORE DRITTO



Code Codice	Hose size 1 Size tubo 1	L \pm 2,5	L ₁ \pm 2,5	D	D1
1xP6100-0826	08-13/32"	56.0	25.8	26	11.57
1xP6100-1030	10-1/2"	60.0	29.3	30	14.34

1xP6140

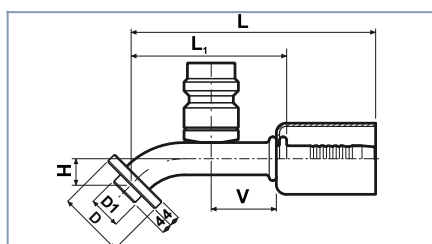
45° ELBOW COMPRESSOR CONNECTION RACCORDO ATTACCO COMPRESSORE 45°



Code Codice	Hose size 1 Size tubo 1	L \pm 2,5	L ₁ \pm 2,5	H \pm 2,5	D	D1
1xP6140-0826	08-13/32"	87.0	56.8	13.0	26	11.57
1xP6140-1030	10-1/2"	107.0	76.3	15.0	30	14.34

1xP6144▲

45° ELBOW COMPRESSOR CONNECTION WITH HIGH PRESS. VALVE RACCORDO ATTACCO COMPRESSORE 45° VALVOLA ALTA PRESS.

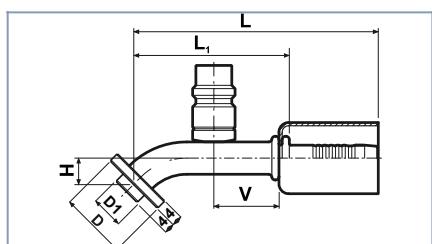


Code Codice	Hose size 1 Size tubo 1	L \pm 2,5	L ₁ \pm 2,5	H \pm 2,5	V \pm 2,0	D	D1
1xP6144-0826	08-13/32"	96.0	65.8	20.0	16.0	26	11.57

▲ = For R1234yf indicate 1xP6148
Per R1234yf indicare 1xP6148

1xP6145▲

45° ELBOW COMPRESSOR CONNECTION WITH LOW PRESS. VALVE RACCORDO ATTACCO COMPRESSORE 45° VALVOLA BASSA PRESS.

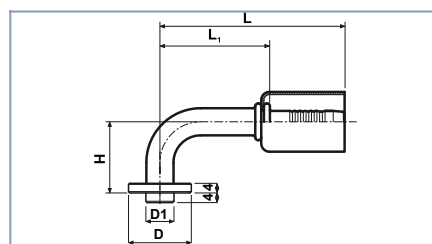


Code Codice	Hose size 1 Size tubo 1	L \pm 2,5	L ₁ \pm 2,5	H \pm 2,5	V \pm 2,0	D	D1
1xP6145-1030	10-1/2"	110.0	79.3	18.0	16.0	30	14.34

▲ = For R1234yf indicate 1xP6149
Per R1234yf indicare 1xP6149

1xP6190

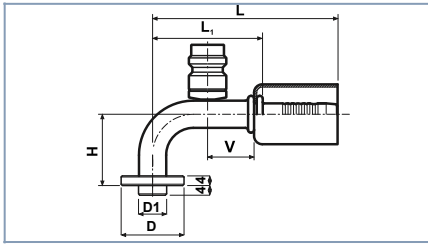
90° ELBOW COMPRESSOR CONNECTION FITTING RACCORDO ATTACCO COMPRESSORE 90°



Code Codice	Hose size 1 Size tubo 1	L \pm 2,5	L ₁ \pm 2,5	H \pm 2,5	D	D1
1xP6190-0826	08-13/32"	71.5	41.3	29.0	26	11.57
1xP6190-1030	10-1/2"	95.0	64.3	48.0	30	14.34

1xP6194▲

90° ELBOW COMPRESSOR CONNECTION WITH HIGH PRESS. VALVE
RACCORDO ATTACCO COMPRESSORE 90° VALVOLA ALTA PRESS.

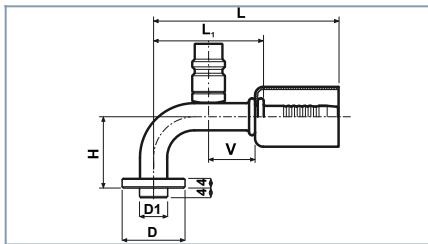


Code Codice	Hose size 1 Size tubo 1	L±2,5	L ₁ ±2,5	H±2,5	V±2,0	D	D1
1xP6194-0826	08-13/32"	71.5	41.3	29.0	16.0	26	11.57

▲ = For R1234yf indicate 1xP6198
 Per R1234yf indicare 1xP6198

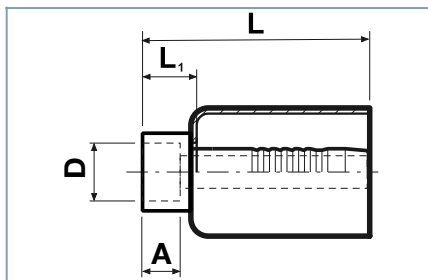
1xP6195▲

90° ELBOW COMPRESSOR CONNECTION WITH LOW PRESS. VALVE
RACCORDO ATTACCO COMPRESSORE 90° VALVOLA BASSA PRESS.



Code Codice	Hose size 1 Size tubo 1	L±2,5	L ₁ ±2,5	H±2,5	V±2,0	D	D1
1xP6195-1030	10-1/2"	95.0	64.3	48.0	16.0	30	14.34

▲ = For R1234yf indicate 1xP6199
 Per R1234yf indicare 1xP6199



Code Codice	Hose size 1 Size tubo 1	L±2,5	L ₁ ±2,5	D	A
1xF0000-0610	06-5/16"	37.7	8.2	10	5
1xF0000-0812	08-13/32"	42.2	9.2	12	6
1xF0000-1016	10-1/2"	42.7	9.2	16	6
1xF0000-1216	12-5/8"	46.0	11.2	16	8
1xF0000-1218	12-5/8"	55.0	20.2	18	5

Series 20 Frigoflex®

«One Piece» Field attachable fittings
with Clamp or Ferrule

Raccordi «One Piece» field attachable
con fascetta o boccola



The use of the Frigoflex® fitting, especially developed for the FG100 and FG300 hoses range, can add to the hose assembly great advantages:

L'uso di raccordi Frigoflex®, progettati appositamente per i range di tubi flessibili FG100 e FG300 può aggiungere ai tubi flessibili assemblati i seguenti vantaggi:

- * **ONE-PIECE fitting that allows two different fastening and crimping solutions: CLAMP or FERRULE**
- * *Raccordi ONE-PIECE che permettono due differenti serraggi: FASCETTA o BOCCOLA*
- * **Easy insertion of the connection due its smooth profile**
- * *Facilità di inserimento del raccordo grazie al suo profilo a bassa resistenza.*
- * **Quickest assembly operation compared to competitors (with the use of the clamp)**
- * *Minimo tempo di assemblaggio rispetto alla concorrenza (con uso della fascetta)*
- * **Easy installation in constrictive space**
- * *Facilità di installazione in spazi ristretti.*

👉 Frigoflex® Tutorial

👉 Frigoflex® Swaging Chart

9x / 1

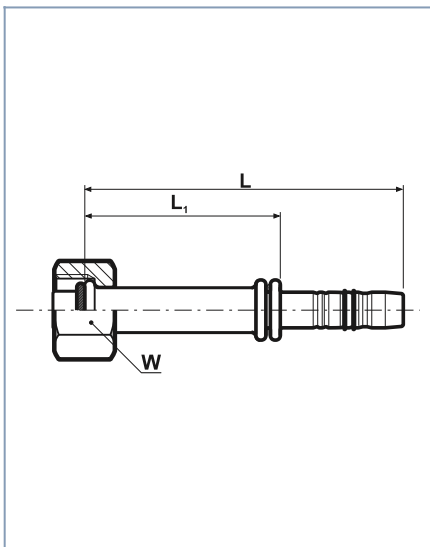
👉 Frigoflex® Assembling Instructions

10x / 1

HOSE CONNECTION TYPE <i>ESTREMITA' INSERTO</i>	FIELDS OF APPLICATION <i>CAMPI D'APPLICAZIONE</i>				
	External Diameter	Application Field	Type of hoses according SAE J3062 and SAE J2064	Locking System	
	<i>Diametro Esterno</i>	<i>Campi d'applicazione</i>	<i>Tipo di tubo secondo SAE J3062 e SAE J2064</i>	<i>Crimped solution</i>	<i>Field Attachable</i>
20	Reduced section hose FG100/FG300	A/C & Refrigeration High Performance + Bus market and A/C MRO	Type E	Bubble	Clamp

2xF1100

STRAIGHT O-RING FEMALE FITTING RACCORDO FEMMINA DRITTA O-RING

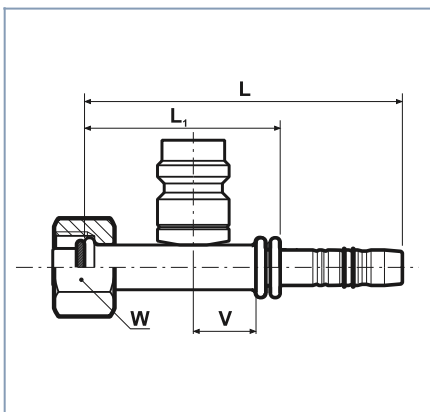


Code Codice	Hose size 1 Size tubo 1	Threading Filettatura	L±2,5	L ₁ ±2,5	W
2xF1100-0606	06-5/16"	5/8"-18-UNF-2B	74.0	46.0	19
2xF1100-0806	08-13/32"	5/8"-18-UNF-2B	78.3	47.3	19
2xF1100-0808	08-13/32"	3/4"-16-UNF-2B	73.5	42.5	22
2xF1100-0811*	08-13/32"	1"-14-UNS-2B	90.7	59.7	29
2xF1100-1008	10-1/2"	3/4"-16-UNF-2B	74.0	42.0	22
2xF1100-1010	10-1/2"	7/8"-14-UNF-2B	93.0	61.0	27
2xF1100-1011*	10-1/2"	1"-14-UNS-2B	92.6	60.6	29
2xF1100-1210	12-5/8"	7/8"-14-UNF-2B	93.0	61.0	27
2xF1100-1211*	12-5/8"	1"-14-UNS-2B	92.6	60.6	29
2xF1100-1212	12-5/8"	1".1/16-14-UNS-2B	93.0	61.0	32
2xF1100-1410	14-3/4"	7/8"-14-UNF-2B	97.0	59.0	27
2xF1100-1412	14-3/4"	1".1/16-14-UNS-2B	97.0	59.0	32
2xF1100-1810	18-1"	7/8"-14-UNF-2B	113.0	63.0	27

* = Rotalock

2xF1104▲

STRAIGHT O-RING FEMALE FITTING WITH HIGH PRESSURE VALVE RACCORDO FEMMINA DRITTA O-RING CON VALVOLA ALTA PRESSIONE



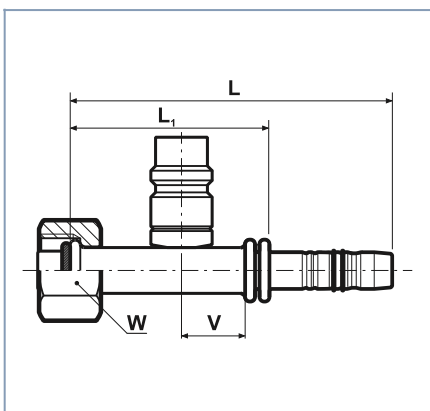
Code Codice	Hose size 1 Size tubo 1	Threading Filettatura	L±2,5	L ₁ ±2,5	V±2,0	W
2xF1104-0606	06-5/16"	5/8"-18-UNF-2B	74.0	46.0	8.5	19
2xF1104-0808	08-13/32"	3/4"-16-UNF-2B	91.3	60.3	12.0	22
2xF1104-0811*	08-13/32"	1"-14-UNS-2B	90.7	59.7	16.0	29
2xF1104-1008	10-1/2"	3/4"-16-UNF-2B	91.8	59.8	12.0	22
2xF1104-1010	10-1/2"	7/8"-14-UNF-2B	93.0	61.0	16.0	27
2xF1104-1210	12-5/8"	7/8"-14-UNF-2B	93.0	61.0	16.0	27
2xF1104-1212	12-5/8"	1".1/16-14-UNS-2B	93.0	61.0	16.0	32

* = Rotalock

▲ = For R1234yf indicate 2xF1108
Per R1234yf indicare 2xF1108

2xF1105▲

STRAIGHT O-RING FEMALE FITTING WITH LOW PRESSURE VALVE RACCORDO FEMMINA DRITTA O-RING CON VALVOLA BASSA PRESSIONE

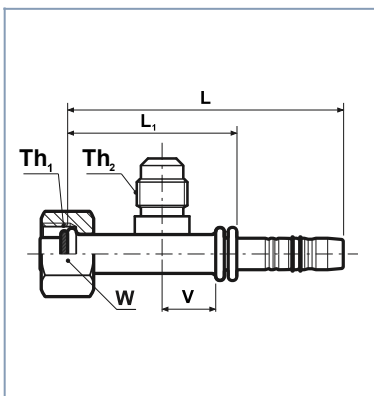


Code Codice	Hose size 1 Size tubo 1	Threading Filettatura	L±2,5	L ₁ ±2,5	V±2,0	W
2xF1105-0808	08-13/32"	3/4"-16-UNF-2B	91.3	60.3	12.0	22
2xF1105-1008	10-1/2"	3/4"-16-UNF-2B	91.8	59.8	16.0	22
2xF1105-1010	10-1/2"	7/8"-14-UNF-2B	93.0	61.0	16.0	27
2xF1105-1011*	10-1/2"	1"-14-UNS-2B	92.5	60.5	16.0	29
2xF1105-1210	12-5/8"	7/8"-14-UNF-2B	93.0	61.0	16.0	27
2xF1105-1211*	12-5/8"	1"-14-UNS-2B	92.6	60.6	16.0	29
2xF1105-1212	12-5/8"	1".1/16-14-UNS-2B	93.0	61.0	16.0	32

* = Rotalock

▲ = For R1234yf indicate 2xF1109
Per R1234yf indicare 2xF1109

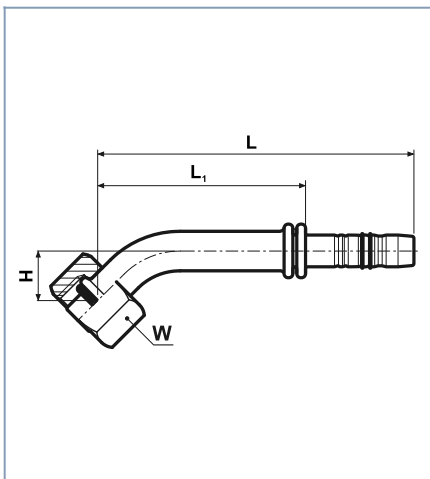
2xF1106 **STRAIGHT O-RING FEMALE FITTING WITH CHARGE VALVE**
RACCORDO FEMMINA DRITTA O-RING CON VALVOLA DI CARICA



Code Codice	Hose size 1 Size tubo 1	Threading Filettatura	Threading 2 Filettatura 2	L \pm 2,5	L $_1$ \pm 2,5	V \pm 2,0	W
2xF1106-0606	06-5/16"	5/8"-18-UNF-2B	7/16" 20 UNF	74.0	46.0	8.5	19
2xF1106-0808	08-13/32"	3/4"-16-UNF-2B	7/16" 20 UNF	91.3	60.3	12.0	22
2xF1106-0811*	08-13/32"	1"-14-UNS-2B	7/16" 20 UNF	90.7	59.7	16.0	29
2xF1106-1010	10-1/2"	7/8"-14-UNF-2B	7/16" 20 UNF	93.0	61.0	16.0	27
2xF1106-1011*	10-1/2"	1"-14-UNS-2B	7/16" 20 UNF	92.5	60.5	16.0	29
2xF1106-1211*	12-5/8"	1"-14-UNS-2B	7/16" 20 UNF	92.6	60.6	16.0	29
2xF1106-1212	12-5/8"	1".1/16-14-UNS-2B	7/16" 20 UNF	93.0	61.0	16.0	32

* = Rotalock

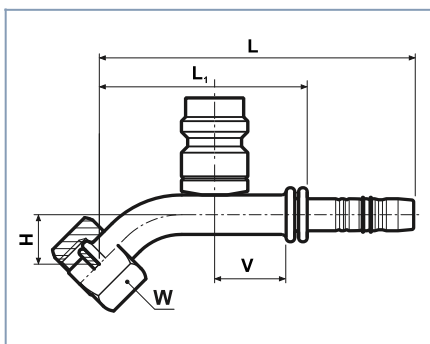
2xF1140 **45° ELBOW O-RING FEMALE FITTING**
RACCORDO FEMMINA O-RING 45°



Code Codice	Hose size 1 Size tubo 1	Threading Filettatura	L \pm 2,5	L $_1$ \pm 2,5	H \pm 2,5	W
2xF1140-0606	06-5/16"	5/8"-18-UNF-2B	85.5	57.5	14.0	19
2xF1140-0806	08-13/32"	5/8"-18-UNF-2B	89.8	58.8	14.0	19
2xF1140-0808	08-13/32"	3/4"-16-UNF-2B	101.8	70.8	16.0	22
2xF1140-0811*	08-13/32"	1"-14-UNS-2B	102.0	71.0	15.0	29
2xF1140-1008	10-1/2"	3/4"-16-UNF-2B	102.3	70.3	16.0	22
2xF1140-1010	10-1/2"	7/8"-14-UNF-2B	118.3	86.3	24.0	27
2xF1140-1011*	10-1/2"	1"-14-UNS-2B	118.3	86.3	24.0	29
2xF1140-1210	12-5/8"	7/8"-14-UNF-2B	117.8	85.8	24.0	27
2xF1140-1211*	12-5/8"	1"-14-UNS-2B	118.4	86.4	24.0	29
2xF1140-1212	12-5/8"	1".1/16-14-UNS-2B	118.3	86.3	24.0	32
2xF1140-1410	14-3/4"	7/8"-14-UNF-2B	122.3	84.3	24.0	27

* = Rotalock

2xF1144▲ **45° ELBOW O-RING FEMALE FITTING WITH HIGH PRESSURE VALVE**
RACCORDO FEMMINA O-RING 45° CON VALVOLA ALTA PRESSIONE



Code Codice	Hose size 1 Size tubo 1	Threading Filettatura	L \pm 2,5	L $_1$ \pm 2,5	H \pm 2,5	V \pm 2,0	W
2xF1144-0606	06-5/16"	5/8"-18-UNF-2B	85.5	57.5	14.0	8.5	19
2xF1144-0808	08-13/32"	3/4"-16-UNF-2B	101.8	70.8	16.0	12.0	22
2xF1144-0811*	08-13/32"	1"-14-UNS-2B	102.0	71.0	15.0	12.0	29
2xF1144-1008	10-1/2"	3/4"-16-UNF-2B	102.3	70.3	16.0	12.0	22
2xF1144-1010	10-1/2"	7/8"-14-UNF-2B	118.3	86.3	24.0	16.0	27

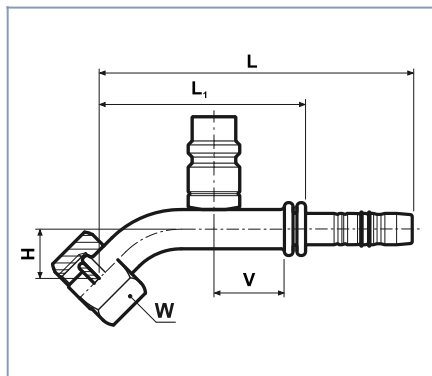
* = Rotalock

▲ = For R1234yf indicate 2xF1148
 Per R1234yf indicare 2xF1148

2xF1145▲

45° ELBOW O-RING FEMALE FITTING WITH LOW PRESSURE VALVE

RACCORDO FEMMINA O-RING 45° CON VALVOLA BASSA PRESSIONE



Code Codice	Hose size 1 Size tubo 1	Threading Filettatura	L±2,5	L ₁ ±2,5	H±2,5	V±2,0	W
2xF1145-1010	10-1/2"	7/8"-14-UNF-2B	118.3	86.3	24.0	16.0	27
2xF1145-1011*	10-1/2"	1"-14-UNS-2B	118.3	86.3	24.0	16.0	29
2xF1145-1210	12-5/8"	7/8"-14-UNF-2B	118.3	86.3	24.0	16.0	27
2xF1145-1211*	12-5/8"	1"-14-UNS-2B	118.4	86.4	24.0	16.0	29
2xF1145-1212	12-5/8"	1".1/16-14-UNS-2B	118.3	86.3	24.0	16.0	32
2xF1145-1410	14-3/4"	7/8"-14-UNF-2B	122.3	84.3	24.0	16.0	27

* = Rotalock

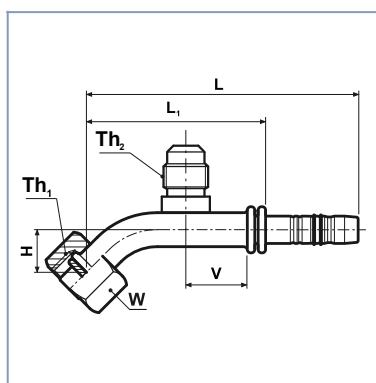
▲ = For R1234yf indicate 2xF1149

Per R1234yf indicare 2xF1149

2xF1146

45° ELBOW O-RING FEMALE FITTING WITH CHARGE VALVE

RACCORDO FEMMINA O-RING 45° CON VALVOLA DI CARICA



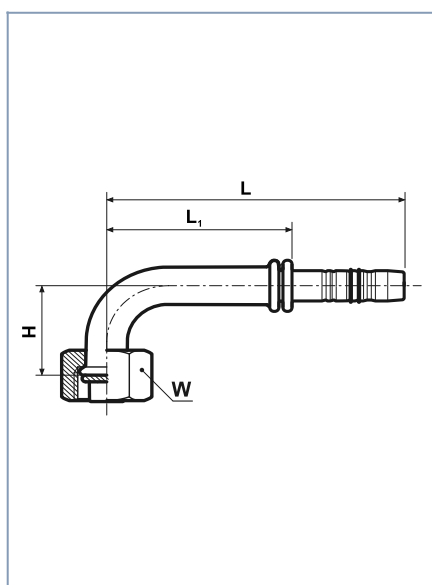
Code Codice	Hose size 1 Size tubo 1	Threading Filettatura	Threading 2 Filettatura 2	L±2,5	L ₁ ±2,5	H±2,5	V±2,0	W
2xF1146-0606	06-5/16"	5/8"-18-UNF-2B	7/16" 20 UNF	85.5	57.5	14.0	8.5	19
2xF1146-0808	08-13/32"	3/4"-16-UNF-2B	7/16" 20 UNF	101.8	70.8	16.0	12.0	22
2xF1146-0811*	08-13/32"	1"-14-UNS-2B	7/16" 20 UNF	102.0	71.0	15.0	12.0	29
2xF1146-1010	10-1/2"	7/8"-14-UNF-2B	7/16" 20 UNF	118.3	86.3	24.0	16.0	27
2xF1146-1011*	10-1/2"	1"-14-UNS-2B	7/16" 20 UNF	118.3	86.3	24.0	16.0	29
2xF1146-1210	12-5/8"	7/8"-14-UNF-2B	7/16" 20 UNF	117.8	85.8	24.0	16.0	27
2xF1146-1211*	12-5/8"	1"-14-UNS-2B	7/16" 20 UNF	118.4	86.4	24.0	16.0	29
2xF1146-1212	12-5/8"	1".1/16-14-UNS-2B	7/16" 20 UNF	118.3	86.3	24.0	16.0	32

* = Rotalock

2xF1190

90° ELBOW O-RING FEMALE FITTING

RACCORDO FEMMINA O-RING 90°

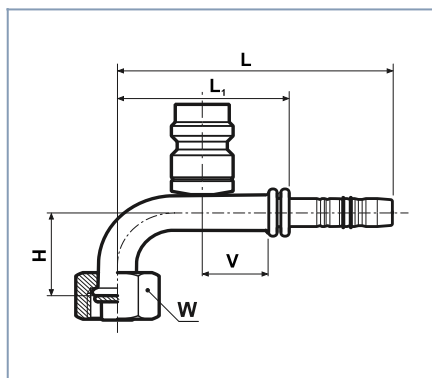


Code Codice	Hose size 1 Size tubo 1	Threading Filettatura	L±2,5	L ₁ ±2,5	H±2,5	W
2xF1190-0606	06-5/16"	5/8"-18-UNF-2B	69.5	41.5	30.0	19
2xF1190-0608	06-5/16"	3/4"-16-UNF-2B	78.5	50.5	35.0	22
2xF1190-0806	08-13/32"	5/8"-18-UNF-2B	74.0	43.0	30.0	19
2xF1190-0808	08-13/32"	3/4"-16-UNF-2B	82.8	51.8	35.0	22
2xF1190-0810	08-13/32"	7/8"-14-UNF-2B	98.8	67.8	40.0	27
2xF1190-0811*	08-13/32"	1"-14-UNS-2B	79.5	48.5	32.0	29
2xF1190-1008	10-1/2"	3/4"-16-UNF-2B	83.5	51.5	35.0	22
2xF1190-1010	10-1/2"	7/8"-14-UNF-2B	99.3	67.3	40.0	27
2xF1190-1011*	10-1/2"	1"-14-UNS-2B	99.3	67.3	40.0	29
2xF1190-1210	12-5/8"	7/8"-14-UNF-2B	99.2	67.2	40.0	27
2xF1190-1211*	12-5/8"	1"-14-UNS-2B	99.2	67.2	40.0	29
2xF1190-1212	12-5/8"	1".1/16-14-UNS-2B	99.3	67.3	40.0	32
2xF1190-1410	14-3/4"	7/8"-14-UNF-2B	103.3	65.3	40.0	27
2xF1190-1412	14-3/4"	1".1/16-14-UNS-2B	103.3	65.3	40.0	32

* = Rotalock

2xF1194▲

90° ELBOW O-RING FEMALE FITTING WITH HIGH PRESSURE VALVE RACCORDO FEMMINA O-RING 90° CON VALVOLA ALTA PRESSIONE



Code Codice	Hose size 1 Size tubo 1	Threading Filettatura	L $\pm 2,5$	L $1\pm 2,5$	H $\pm 2,5$	V $\pm 2,0$	W
2xF1194-0606	06-5/16"	5/8"-18-UNF-2B	69.5	41.5	30.0	8.5	19
2xF1194-0608	06-5/16"	3/4"-16-UNF-2B	78.5	50.5	35.0	12.0	22
2xF1194-0808	08-13/32"	3/4"-16-UNF-2B	82.8	51.8	35.0	12.0	22
2xF1194-0811*	08-13/32"	1"-14-UNS-2B	79.5	48.5	32.0	12.0	29
2xF1194-1008	10-1/2"	3/4"-16-UNF-2B	83.5	51.5	35.0	12.0	22
2xF1194-1010	10-1/2"	7/8"-14-UNF-2B	99.3	67.3	40.0	16.0	27

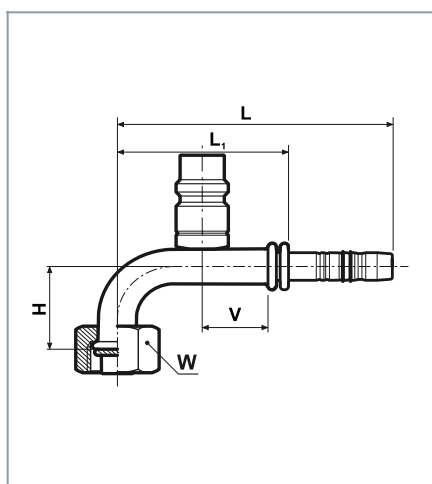
* = Rotalock

▲ = For R1234yf indicate 2xF1198

Per R1234yf indicare 2xF1198

2xF1195▲

90° ELBOW O-RING FEMALE FITTING WITH LOW PRESSURE VALVE RACCORDO FEMMINA O-RING 90° CON VALVOLA BASSA PRESSIONE



Code Codice	Hose size 1 Size tubo 1	Threading Filettatura	L $\pm 2,5$	L $1\pm 2,5$	H $\pm 2,5$	V $\pm 2,0$	W
2xF1195-0808	08-13/32"	3/4"-16-UNF-2B	82.8	51.8	35.0	12.0	22
2xF1195-1010	10-1/2"	7/8"-14-UNF-2B	99.3	67.3	40.0	16.0	27
2xF1195-1011*	10-1/2"	1"-14-UNS-2B	99.3	67.3	40.0	16.0	29
2xF1195-1210	12-5/8"	7/8"-14-UNF-2B	99.3	67.3	40.0	16.0	27
2xF1195-1211*	12-5/8"	1"-14-UNS-2B	tbd	tbd	tbd	tbd	29
2xF1195-1212	12-5/8"	1".1/16-14-UNS-2B	99.3	67.3	40.0	16.0	32
2xF1195-1410	14-3/4"	7/8"-14-UNF-2B	103.3	65.3	40.0	16.0	27
2xF1195-1412	14-3/4"	1".1/16-14-UNS-2B	103.3	65.3	40.0	16.0	32

* = Rotalock

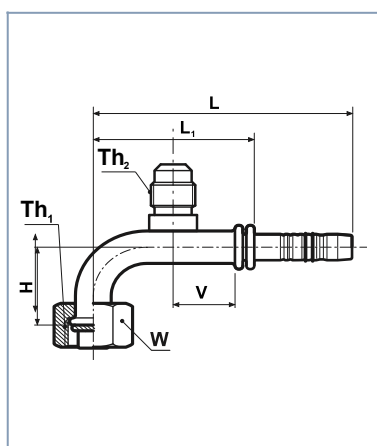
tbd = to be defined / in fase di definizione

▲ = For R1234yf indicate 2xF1199

Per R1234yf indicare 2xF1199

2xF1196

90° ELBOW O-RING FEMALE FITTING WITH CHARGE VALVE RACCORDO FEMMINA O-RING 90° CON VALVOLA DI CARICA



Code Codice	Hose size 1 Size tubo 1	Threading Filettatura	Threading 2 Filettatura 2	L $\pm 2,5$	L $1\pm 2,5$	H $\pm 2,5$	V $\pm 2,0$	W
2xF1196-0606	06-5/16"	5/8"-18-UNF-2B	7/16" 20 UNF	69.5	41.5	30.0	8.5	19
2xF1196-0808	08-13/32"	3/4"-16-UNF-2B	7/16" 20 UNF	82.8	51.8	35.0	12.0	22
2xF1196-0811*	08-13/32"	1"-14-UNS-2B	7/16" 20 UNF	79.5	48.5	32.0	12.0	29
2xF1196-1010	10-1/2"	7/8"-14-UNF-2B	7/16" 20 UNF	99.3	67.3	40.0	16.0	27
2xF1196-1011*	10-1/2"	1"-14-UNS-2B	7/16" 20 UNF	99.3	67.3	40.0	16.0	29
2xF1196-1210	12-5/8"	7/8"-14-UNF-2B	7/16" 20 UNF	99.3	67.3	40.0	16.0	27
2xF1196-1211*	12-5/8"	1"-14-UNS-2B	7/16" 20 UNF	tbd	tbd	tbd	tbd	29
2xF1196-1212	12-5/8"	1".1/16-14-UNS-2B	7/16" 20 UNF	99.3	67.3	40.0	16.0	32

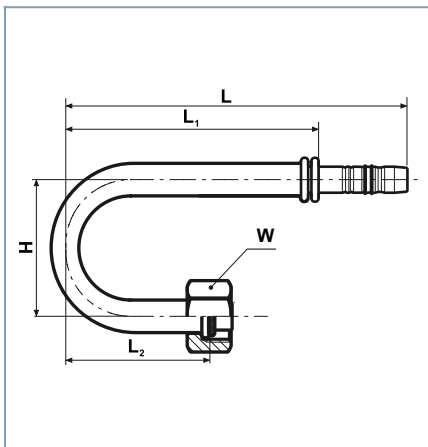
* = Rotalock

tbd = to be defined / in fase di definizione

2xF11U0

180° ELBOW O-RING FEMALE FITTING

RACCORDO FEMMINA O-RING 180°



Code Codice	Hose size 1 Size tubo 1	Threading Filettatura	L \pm 2,5	L $_1$ \pm 2,5	L $_2$ \pm 2,5	H \pm 2,5	W
2xF11U0-0606(?)	06-5/16"	5/8"-18-UNF-2B	105.0	77.0	32.0	50.0	19
2xF11U0-0606KA2(?)	06-5/16"	5/8"-18-UNF-2B	78.0	50.0	25.0	85.0	19
2xF11U0-0808KA4(?)	08-13/32"	3/4"-16-UNF-2B	98.0	67.0	30.0	65.0	22
2xF11U0-0811*	08-13/32"	1"-14-UNS-2B	tbd	tbd	tbd	tbd	29
2xF11U0-1010(1)	10-1/2"	7/8"-14-UNF-2B	102.0	70.0	33.0	50.0	27
2xF11U0-1011*	10-1/2"	1"-14-UNS-2B	tbd	tbd	tbd	tbd	29
2xF11U0-1212(?)	12-5/8"	1".1/16-14-UNS-2B	145.0	113.0	77.0	70.0	32
2xF11U0-1212KA1(?)	12-5/8"	1".1/16-14-UNS-2B	143.5	111.5	45.5	130.0	32

* = Rotalock

(1) = 1 curva - 1 bend

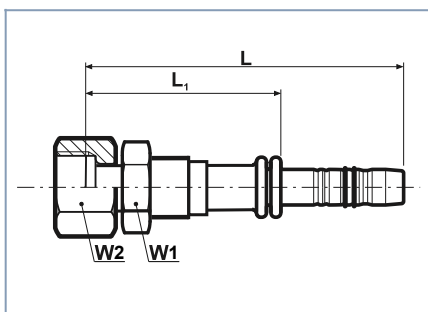
(?) = 2 curve a 90° - 2 x 90° bends

tbd = to be defined / in fase di definizione

2xF1200

STRAIGHT FEMALE ROTALOCK FRONTAL SEAL FITTING

RACCORDO FEMMINA DRITTA ROTALOCK A TENUTA FRONTALE



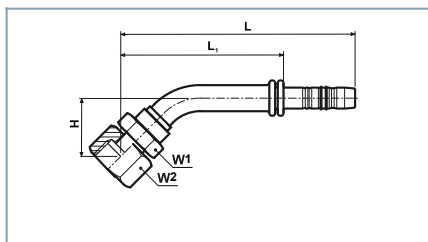
Code Codice	Hose size 1 Size tubo 1	Threading Filettatura	L \pm 2,5	L $_1$ \pm 2,5	W $_1$	W $_2$
2xF1200-0811*	08-13/32"	1"-14-UNS-2B	98.0	67.0	20	30
2xF1200-1011*	10-1/2"	1"-14-UNS-2B	73.0	41.0	20	30
2xF1200-1212*	12-5/8"	1".1/4-12-UNF	80.0	48.0	27	36
2xF1200-1412*	14-3/4"	1".1/4-12-UNF	84.0	46.0	27	36
2xF1200-1822*	18 - 1"	1".3/4-12-UN	120.0	70.0	42	50

* = Rotalock

2xF1230

30° ELBOW FEMALE ROTALOCK FRONTAL SEAL FITTING

RACCORDO FEMMINA ROTALOCK A TENUTA FRONTALE 30°



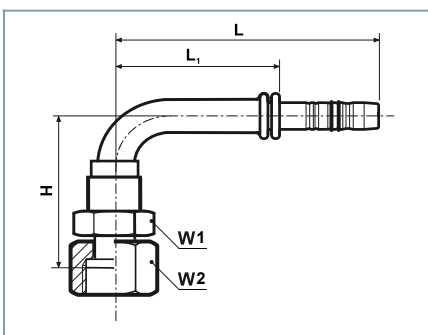
Code Codice	Hose size 1 Size tubo 1	Threading Filettatura	L \pm 2,5	L $_1$ \pm 2,5	H \pm 2,5	W $_1$	W $_2$
2xF1230-1822*	18 - 1"	1".3/4-12-UN	140.0	90.0	38.0	42	50

* = Rotalock

2xF1290

90° ELBOW FEMALE ROTALOCK FRONTAL SEAL FITTING

RACCORDO FEMMINA ROTALOCK A TENUTA FRONTALE 90°

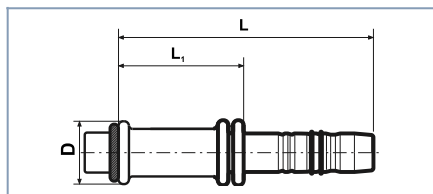


Code Codice	Hose size 1 Size tubo 1	Threading Filettatura	L \pm 2,5	L $_1$ \pm 2,5	H \pm 2,5	W $_1$	W $_2$
2xF1290-0811*	08-13/32"	1"-14-UNS-2B	82.5	51.5	48.0	20	30
2xF1290-1011*	10-1/2"	1"-14-UNS-2B	83.0	51.0	48.5	20	30
2xF1290-1212*	12-5/8"	1".1/4-12-UNF	94.0	62.0	61.5	27	36

* = Rotalock

2xF2100

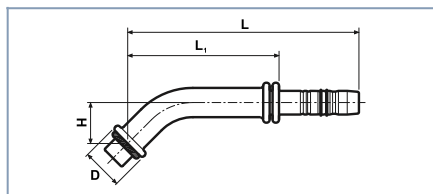
STRAIGHT FITTING FOR EXPANSION VALVE RACCORDO DRITTO PER VALVOLA A ESPANSIONE



Code Codice	Hose size 1 Size tubo 1	Threading Filettatura	L $\pm 2,5$	L ₁ $\pm 2,5$	D
2xF2100-0614	06-5/16"	-	74.0	46.0	14
2xF2100-1023	10-1/2"	-	93.0	61.0	23
2xF2100-1223	12-5/8"	-	93.0	61.0	23

2xF2140

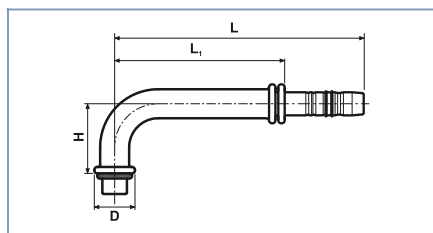
45° ELBOW FITTING FOR EXPANSION VALVE RACCORDO 45° PER VALVOLA A ESPANSIONE



Code Codice	Hose size 1 Size tubo 1	Threading Filettatura	L $\pm 2,5$	L ₁ $\pm 2,5$	D	H $\pm 2,5$
2xF2140-0614	06-5/16"	-	85.5	57.5	14	14.0
2xF2140-1023	10-1/2"	-	118.3	86.3	23	24.0
2xF2140-1223	12-5/8"	-	118.3	86.3	23	24.0

2xF2190

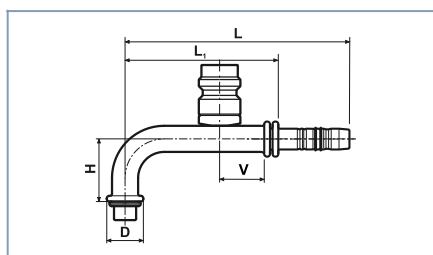
90° ELBOW FITTING FOR EXPANSION VALVE RACCORDO 90° PER VALVOLA A ESPANSIONE



Code Codice	Hose size 1 Size tubo 1	Threading Filettatura	L $\pm 2,5$	L ₁ $\pm 2,5$	D	H $\pm 2,5$
2xF2190-0614	06-5/16"	-	69.5	41.5	14	30.0
2xF2190-0816	08-13/32"	-	82.8	51.8	16	35.0
2xF2190-1023	10-1/2"	-	99.3	67.3	23	40.0
2xF2190-1223	12-5/8"	-	99.3	67.3	23	40.0

2xF2194▲

90° ELBOW FITTING FOR EXPANSION VALVE WITH HP VALVE RACCORDO 90° PER VALVOLA A ESPANSIONE CON VALVOLA AP

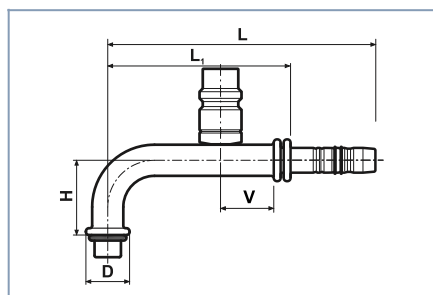


Code Codice	Hose size 1 Size tubo 1	Threading Filettatura	L $\pm 2,5$	L ₁ $\pm 2,5$	H $\pm 2,5$	V $\pm 2,0$	D
2xF2194-0614	06-5/16"	-	69.5	41.5	30.0	8.5	14

▲ = For R1234yf indicate 2xF2198
Per R1234yf indicare 2xF2198

2xF2195▲

90° ELBOW FITTING FOR EXPANSION VALVE WITH LP VALVE RACCORDO 90° PER VALVOLA A ESPANSIONE CON VALVOLA BP

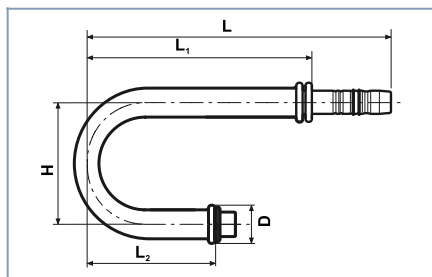


Code Codice	Hose size 1 Size tubo 1	Threading Filettatura	L $\pm 2,5$	L ₁ $\pm 2,5$	H $\pm 2,5$	V $\pm 2,0$	D
2xF2195-1023	10-1/2"	-	99.3	67.3	40.0	16.0	23
2xF2195-1223	12-5/8"	-	99.3	67.3	40.0	16.0	23

▲ = For R1234yf indicate 1xF2199
Per R1234yf indicare 1xF2199

2xF21U0

180° ELBOW FITTING FOR EXPANSION VALVE RACCORDO 180° PER VALVOLA A ESPANSIONE



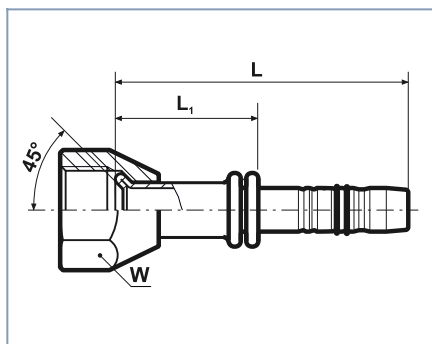
Code Codice	Hose size 1 Size tubo 1	Threading Filettatura	L±2,5	L ₁ ±2,5	L ₂ ±2,5	D	H±2,5
2xF21U0-0614(*)	06-5/16"	-	96.0	68.0	47.5	14	40.0
2xF21U0-1023(*)	10-1/2"	-	102.0	70.0	41.7	23	50.0
2xF21U0-1223(*)	12-5/8"	-	102.0	70.0	41.7	23	50.0

(*) 1 curva – 1 bend

(?) 2 curve a 90° - 2 x 90° bends

2xF4100

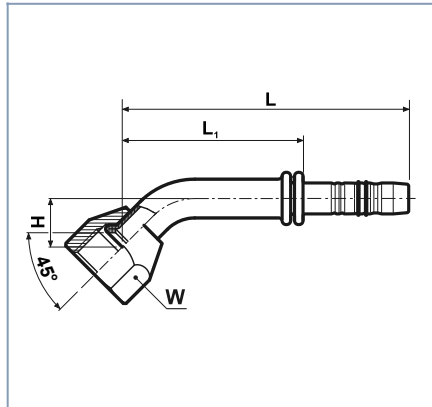
45° SAE STRAIGHT FEMALE FITTING RACCORDO FEMMINA DRITTA 45° SAE



Code Codice	Hose size 1 Size tubo 1	Threading Filettatura	L±2,5	L ₁ ±2,5	W
2xF4100-0604	06-5/16"	7/16"-20-UNF-2B	74.2	46.2	14
2xF4100-0606	06-5/16"	5/8"-18-UNF-2B	78.2	50.2	19
2xF4100-0806	08-13/32"	5/8"-18-UNF-2B	82.5	51.5	19
2xF4100-0808	08-13/32"	3/4"-16-UNF-2B	79.5	48.5	22
2xF4100-1008	10-1/2"	3/4"-16-UNF-2B	76.2	44.2	22
2xF4100-1010	10-1/2"	7/8"-14-UNF-2B	99.2	67.2	27
2xF4100-1210	12-5/8"	7/8"-14-UNF-2B	99.2	67.2	27
2xF4100-1212	12-5/8"	1.1/16"-14-UNS-2B	69.2	37.2	32

2xF4140

45° ELBOW 45° SAE FEMALE FITTING RACCORDO FEMMINA 45° SAE CURVA 45°

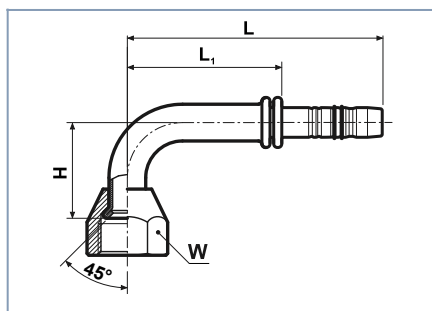


Code Codice	Hose size 1 Size tubo 1	Threading Filettatura	L±2,5	L ₁ ±2,5	H±2,5	W
2xF4140-0604	06-5/16"	7/16"-20-UNF-2B	69	37.0	15	14
2xF4140-0606	06-5/16"	5/8"-18-UNF-2B	83.7	55.7	12.9	19
2xF4140-0608	06-5/16"	3/4"-16-UNF-2B	97.7	69.7	16.5	22
2xF4140-0808	08-13/32"	3/4"-16-UNF-2B	102.0	71.0	16.5	22
2xF4140-0810	08-13/32"	7/8"-14-UNF-2B	120.0	89.0	17.9	27
2xF4140-1008	10-1/2"	3/4"-16-UNF-2B	102.5	70.5	16.5	22
2xF4140-1010	10-1/2"	7/8"-14-UNF-2B	120.5	88.5	17.9	27
2xF4140-1210	12-5/8"	7/8"-14-UNF-2B	tbd	tbd	tbd	27
2xF4140-1212	12-5/8"	1.1/16"-14-UNS-2B	tbd	tbd	tbd	32

tbd = to be defined / in fase di definizione

2xF4190

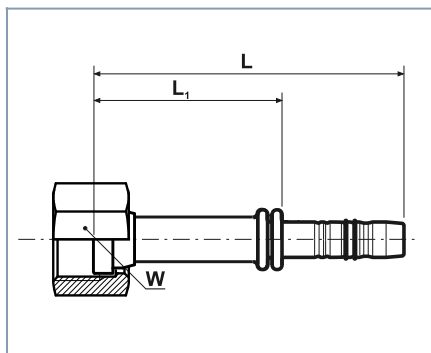
90° ELBOW 45° SAE FEMALE FITTING RACCORDO FEMMINA 45° SAE CURVA 90°



Code Codice	Hose size 1 Size tubo 1	Threading Filettatura	L±2,5	L ₁ ±2,5	H±2,5	W
2xF4190-0604	06-5/16"	7/16"-20-UNF-2B	59.2	31.2	27.0	14
2xF4190-0606	06-5/16"	5/8"-18-UNF-2B	69.5	41.5	27.0	19
2xF4190-0806	08-13/32"	5/8"-18-UNF-2B	73.8	42.8	27.0	19
2xF4190-0808	08-13/32"	3/4"-16-UNF-2B	82.8	51.8	35.0	22
2xF4190-1010	10-1/2"	7/8"-14-UNF-2B	99.3	67.3	40.0	27
2xF4190-1210	12-5/8"	7/8"-14-UNF-2B	99.3	67.3	40.0	27
2xF4190-1212	12-5/8"	1.1/16"-14-UNS-2B	92.0	60.0	55.0	32

2xF5100

ORFS STRAIGHT FEMALE FITTING RACCORDO FEMMINA DRITTA ORFS

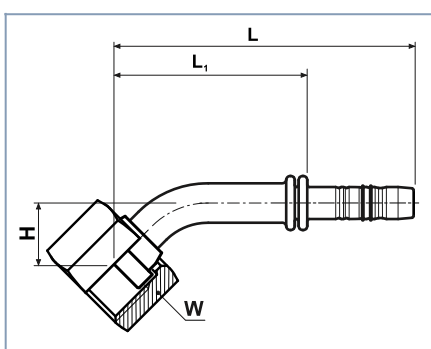


Code Codice	Hose size 1 Size tubo 1	Threading Filettatura	L±2,5	L ₁ ±2,5	W
2xF5100-0604	06-5/16"	9/16"-18-UNF-2B	76.3	48.3	17
2xF5100-0606	06-5/16"	11-16"-UN-2B	76.3	48.3	22
2xF5100-0808	08-13/32"	13/16"-16-UN-2B	81.0	50.0	27
2xF5100-1008	10-1/2"	13/16"-16-UN-2B	81.5	49.5	27
2xF5100-1010	10-1/2"	1"-14-UNS-2B	82.0	50.0	30
2xF5100-1210	12-5/8"	1"-14-UNS-2B	tbd	tbd	30
2xF5100-1212	12-5/8"	1.3/16"-12-UN-2B	82.0	50.0	36
2xF5100-1416	14-3/4"	1"7/16-12 -UNS-2B	83.4	45.4	41
2xF5100-1816	18 - 1"	1"7/16-12 -UNS-2B	97.0	47.0	41

tbd = to be defined / in fase di definizione

2xF5140

45° ELBOW ORFS FEMALE FITTING RACCORDO FEMMINA ORFS CURVA 45°

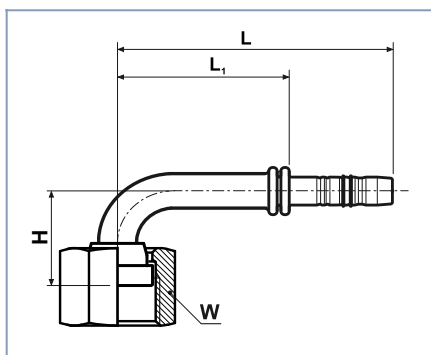


Code Codice	Hose size 1 Size tubo 1	Threading Filettatura	L±2,5	L ₁ ±2,5	H±2,5	W
2xF5140-0604	06-5/16"	9/16"-18-UNF-2B	74.1	46.1	15.1	17
2xF5140-0606	06-5/16"	11-16"-UN-2B	86.5	58.5	14.3	22
2xF5140-0808	08-13/32"	13/16"-16-UN-2B	101.8	70.8	16.5	27
2xF5140-1008	10-1/2"	13/16"-16-UN-2B	102.3	70.3	16.5	27
2xF5140-1010	10-1/2"	1"-14-UNS-2B	120.3	88.3	17.9	30
2xF5140-1210	12-5/8"	1"-14-UNS-2B	tbd	tbd	tbd	30
2xF5140-1212	12-5/8"	1.3/16"-12-UN-2B	tbd	tbd	tbd	36

tbd = to be defined / in fase di definizione

2xF5190

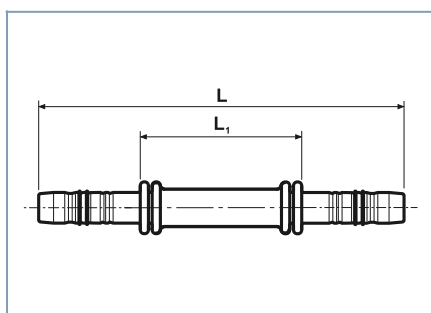
90° ELBOW ORFS FEMALE FITTING RACCORDO FEMMINA ORFS CURVA 90°



Code Codice	Hose size 1 Size tubo 1	Threading Filettatura	L±2,5	L ₁ ±2,5	H±2,5	W
2xF5190-0604	06-5/16"	9/16"-18-UNF-2B	59.2	31.2	27.4	17
2xF5190-0606	06-5/16"	11-16"-UN-2B	69.5	41.5	29.0	22
2xF5190-0608	06-5/16"	13/16"-16-UN-2B	76.0	48.0	35.0	27
2xF5190-0808	08-13/32"	13/16"-16-UN-2B	82.8	51.8	35.0	27
2xF5190-1008	10-1/2"	13/16"-16-UN-2B	80.0	48.0	35.0	27
2xF5190-1010	10-1/2"	1"-14-UNS-2B	95.3	63.3	35.7	30
2xF5190-1210	12-5/8"	1"-14-UNS-2B	72.2	40.2	35.7	30
2xF5190-1212	12-5/8"	1.3/16"-12-UN-2B	95.0	63.0	38.0	36
2xF5190-1416	14-3/4"	1"7/16-12 -UNS-2B	tbd	tbd	tbd	41
2xF5190-1816	18 - 1"	1"7/16-12 -UNS-2B	105.0	55.0	49.0	41

2xJ0000

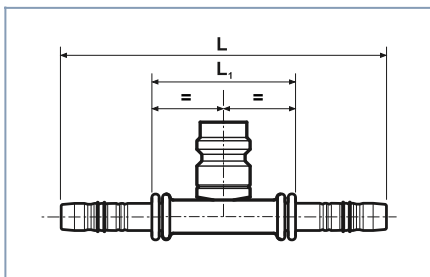
STRAIGHT CONNECTION FITTING CONGIUNZIONE DRITTA



Code Codice	Hose size 1 Size tubo 1	Hose size 2 Size tubo 2	L±2,5	L ₁ ±2,5
2xJ0000-0606	06-5/16"	06-5/16"	109.0	53.0
2xJ0000-0608	06-5/16"	08-13/32"	113.0	57.0
2xJ0000-0808	08-13/32"	08-13/32"	118.0	56.0
2xJ0000-0812	08-13/32"	12-5/8"	118.0	56.0
2xJ0000-1010	10-1/2"	10-1/2"	119.0	55.0
2xJ0000-1012	10-1/2"	12-5/8"	119.0	55.0
2xJ0000-1212	12-5/8"	12-5/8"	119.0	55.0

2xJ0004▲

CONNECTION FITTING WITH HIGH PRESSURE VALVE CONGIUNZIONE DRITTA CON VALVOLA ALTA PRESSIONE

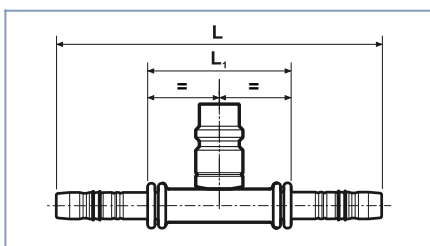


Code Codice	Hose size 1 Size tubo 1	Hose size 2 Size tubo 2	L \pm 2,5	L $_1$ \pm 2,5
2xJ0004-0606	06-5/16"	06-5/16"	109.0	53.0
2xJ0004-0808	08-13/32"	08-13/32"	118.0	56.0
2xJ0004-1010	10-1/2"	10-1/2"	119.0	55.0
2xJ0004-1212	12-5/8"	12-5/8"	119.0	55.0

▲ = For R1234yf indicate 2xJ0008
Per R1234yf indicare 2xJ0008

2xJ0005▲

CONNECTION FITTING WITH LOW PRESSURE VALVE CONGIUNZIONE DRITTA CON VALVOLA BASSA PRESSIONE

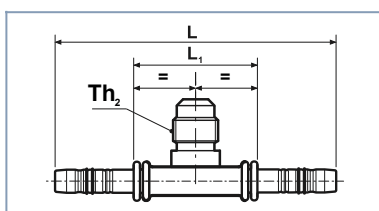


Code Codice	Hose size 1 Size tubo 1	Hose size 2 Size tubo 2	L \pm 2,5	L $_1$ \pm 2,5
2xJ0005-0808	08-13/32"	08-13/32"	118.0	56.0
2xJ0005-1010	10-1/2"	10-1/2"	119.0	55.0
2xJ0005-1212	12-5/8"	12-5/8"	119.0	55.0

▲ = For R1234yf indicate 2xJ0009
Per R1234yf indicare 2xJ0009

2xJ0006

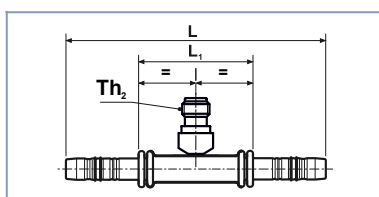
CONNECTION FITTING WITH WITH CHARGE VALVE CONGIUNZIONE DRITTA CON VALVOLA DI CARICA



Code Codice	Hose size 1 Size tubo 1	Hose size 2 Size tubo 2	Threading 2 Filettatura 2	L \pm 2,5	L $_1$ \pm 2,5
2xJ0006-0606	06-5/16"	06-5/16"	7/16" 20 UNF	109.0	53.0
2xJ0006-0808	08-13/32"	08-13/32"	7/16" 20 UNF	118.0	56.0
2xJ0006-1010	10-1/2"	10-1/2"	7/16" 20 UNF	119.0	55.0
2xJ0006-1212	12-5/8"	12-5/8"	7/16" 20 UNF	119.0	55.0

2xJ0007

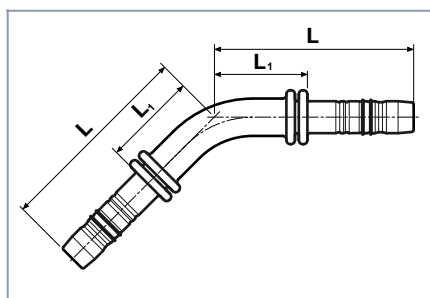
STRAIGHT CONNECTION WITH PRESSURE SWITCH CONGIUNZIONE DRITTA CON VALVOLA PRESSOSTATO



Code Codice	Hose size 1 Size tubo 1	Hose size 2 Size tubo 2	Threading 2 Filettatura 2	L \pm 2,5	L $_1$ \pm 2,5
2xJ0007-0606	06-5/16"	06-5/16"	M10x1.25	109.0	53.0
2xJ0007-0808	08-13/32"	08-13/32"	M10x1.25	118.0	56.0
2xJ0007-1010	10-1/2"	10-1/2"	M10x1.25	119.0	55.0

2xJ0040

45° CONNECTION FITTING CONGIUNZIONE 45°

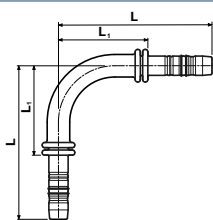


Code Codice	Hose size 1 Size tubo 1	Hose size 2 Size tubo 2	L \pm 2,5	L $_1$ \pm 2,5
2xJ0040-0606	06-5/16"	06-5/16"	tbd	tbd
2xJ0040-0808	08-13/32"	08-13/32"	tbd	tbd
2xJ0040-1010	10-1/2"	10-1/2"	tbd	tbd
2xJ0040-1212	12-5/8"	12-5/8"	tbd	tbd

tbd = to be defined / in fase di definizione

2xJ0090

90° CONNECTION FITTING CONGIUNZIONE 90°

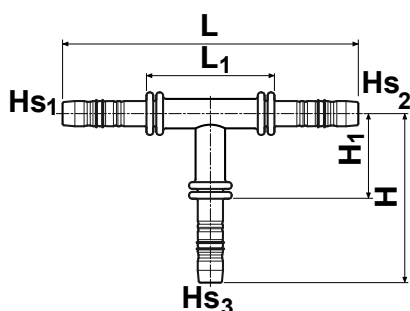


Code Codice	Hose size 1 Size tubo 1	Hose size 2 Size tubo 2	L \pm 2,5	L $_1$ \pm 2,5
2xJ0090-0606	06-5/16"	06-5/16"	tbd	tbd
2xJ0090-0808	08-13/32"	08-13/32"	tbd	tbd
2xJ0090-1010	10-1/2"	10-1/2"	tbd	tbd
2xJ0090-1212	12-5/8"	12-5/8"	tbd	tbd

tbd = to be defined / in fase di definizione

2xJ00T0

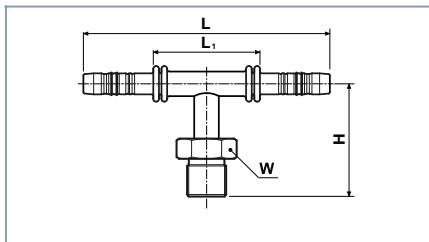
"T" CONNECTION CONGIUNZIONE A "T"



Code Codice	Hose size 1 Size tubo 1	Hose size 2 Size tubo 2	Hose size 3 Size tubo 3	L \pm 2,5	L $_1$ \pm 2,5	H \pm 2,5	H $_1$ \pm 2,5
2xJ00T0-060606	06-5/16"	06-5/16"	06-5/16"	109.0	53.0	64.0	36.0
2xJ00T0-060608	06-5/16"	06-5/16"	08-13/32"	109.0	53.0	69.0	38.0
2xJ00T0-060610	06-5/16"	06-5/16"	10-1/2"	109.0	53.0	68.0	36.0
2xJ00T0-060612	06-5/16"	06-5/16"	12-5/8"	109.0	53.0	68.0	36.0
2xJ00T0-060808	06-5/16"	08-13/32"	08-13/32"	113.0	57.0	69.0	38.0
2xJ00T0-060810	06-5/16"	08-13/32"	10-1/2"	113.0	57.0	68.0	36.0
2xJ00T0-061008	06-5/16"	10-1/2"	08-13/32"	114.0	58.0	69.0	38.0
2xJ00T0-061210	06-5/16"	12-5/8"	10-1/2"	114.0	58.0	67.0	35.0
2xJ00T0-061212	06-5/16"	12-5/8"	12-5/8"	114.0	58.0	67.0	35.0
2xJ00T0-080806	08-13/32"	08-13/32"	06-5/16"	118.0	56.0	64.0	36.0
2xJ00T0-080808	08-13/32"	08-13/32"	08-13/32"	118.0	56.0	69.0	38.0
2xJ00T0-080810	08-13/32"	08-13/32"	10-1/2"	118.0	56.0	67.0	35.0
2xJ00T0-080812	08-13/32"	08-13/32"	12-5/8"	118.0	56.0	67.0	35.0
2xJ00T0-081010	08-13/32"	10-1/2"	10-1/2"	118.5	56.5	67.0	35.0
2xJ00T0-081012	08-13/32"	10-1/2"	12-5/8"	118.5	56.5	67.0	35.0
2xJ00T0-101006	10-1/2"	10-1/2"	06-5/16"	119.0	55.0	64.0	36.0
2xJ00T0-101010	10-1/2"	10-1/2"	10-1/2"	119.0	55.0	67.0	35.0
2xJ00T0-101012	10-1/2"	10-1/2"	12-5/8"	119.0	55.0	67.0	35.0
2xJ00T0-101210	10-1/2"	12-5/8"	10-1/2"	119.0	55.0	67.0	35.0
2xJ00T0-101212	10-1/2"	12-5/8"	12-5/8"	119.0	55.0	67.0	35.0
2xJ00T0-121210	12-5/8"	12-5/8"	10-1/2"	119.0	55.0	67.0	35.0
2xJ00T0-121212	12-5/8"	12-5/8"	12-5/8"	119.0	55.0	67.0	35.0

2xJ00T1

"T" CONNECTION WITH CENTRAL FIXED MAIN CONGIUNZIONE A "T" CON FISSAGGIO CENTRALE

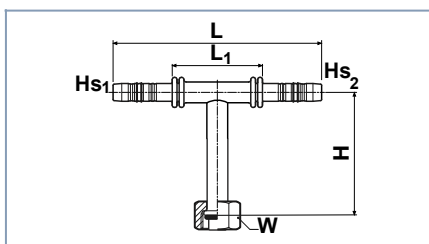


Code Codice	Hose size 1 Size tubo 1	Hose size 2 Size tubo 2	Threading Filettatura	L±2,5	L ₁ ±2,5	H±2,5	W
2xJ00T1-060606	06-5/16"	06-5/16"	5/8"-18-UNF-2A	109.0	53.0	51.5	19
2xJ00T1-080808	08-13/32"	08-13/32"	3/4"-16-UNF-2A	118.0	56.0	54.5	27
2xJ00T1-101010	10-1/2"	10-1/2"	7/8"-14-UNF-2A	tbd	tbd	tbd	tbd
2xJ00T1-121212	12-5/8"	12-5/8"	1.1/16"-14-UNS-2B	tbd	tbd	tbd	tbd

tbd = to be defined / in fase di definizione

2xJ00T3

"T" CONNECTION WITH CENTRAL FIXED MAIN CONGIUNZIONE A "T" CON FISSAGGIO CENTRALE

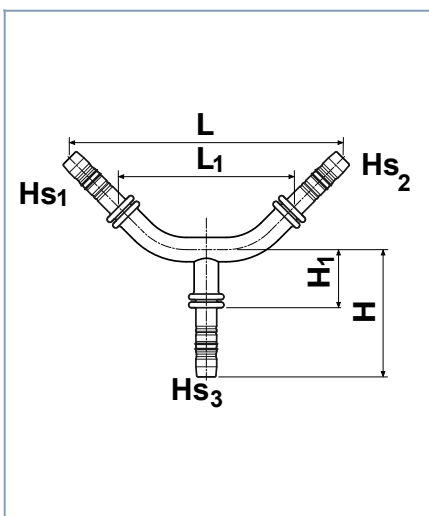


Code Codice	Hose size 1 Size tubo 1	Hose size 2 Size tubo 2	Threading Filettatura	L±2,5	L ₁ ±2,5	H±2,5	W
2xJ00T3-101006	10-1/2"	10-1/2"	5/8"-18-UNF-2A	119.0	55.0	43.0	19

tbd = to be defined / in fase di definizione

2xJ00Y0

"Y" CONNECTION CONGIUNZIONE A "Y"

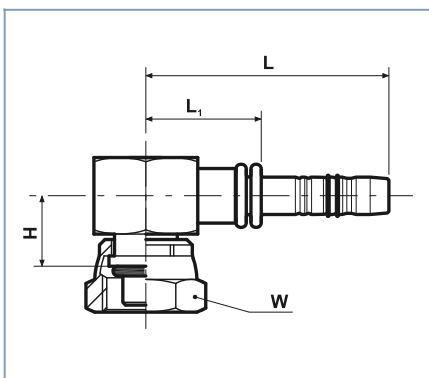


Code Codice	Hose size 1 Size tubo 1	Hose size 2 Size tubo 2	Hose size 3 Size tubo 3	L±2,5	L ₁ ±2,5	H±2,5	H ₁ ±2,5
2xJ00Y0-060606	06-5/16"	06-5/16"	06-5/16"	117.0	77.4	64.5	36.5
2xJ00Y0-060610	06-5/16"	06-5/16"	10-1/2"	117.0	77.4	67.5	39.5
2xJ00Y0-060808	06-5/16"	08-13/32"	08-13/32"	117.0	77.4	68.5	40.5
2xJ00Y0-061006	06-5/16"	10-1/2"	06-5/16"	117.0	77.4	64.5	36.5
2xJ00Y0-061010	06-5/16"	10-1/2"	10-1/2"	117.0	77.4	67.5	39.5
2xJ00Y0-080808	08-13/32"	08-13/32"	08-13/32"	120.0	76.2	68.5	36.5
2xJ00Y0-080810	08-13/32"	08-13/32"	10-1/2"	120.0	76.2	67.5	35.5
2xJ00Y0-101010	10-1/2"	10-1/2"	10-1/2"	147.0	101.7	67.5	35.5
2xJ00Y0-101012	10-1/2"	10-1/2"	12-5/8"	147.0	101.7	67.5	35.5
2xJ00Y0-101210	10-1/2"	12-5/8"	10-1/2"	147.0	101.7	67.5	35.5
2xJ00Y0-101212	10-1/2"	12-5/8"	12-5/8"	147.0	101.7	67.5	35.5
2xJ00Y0-121212	12-5/8"	12-5/8"	12-5/8"	147.0	101.7	67.5	35.5

tbd = to be defined / in fase di definizione

2xK1190

COMPACT FITTING O-RING FEMALE FITTING RACCORDO FEMMINA COMPATTA O-RING 90°

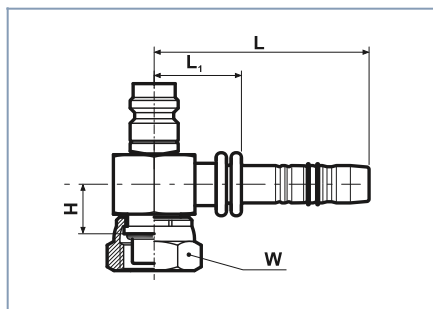


Code Codice	Hose size 1 Size tubo 1	Threading Filettatura	L±2,5	L ₁ ±2,5	H±2,5	W
2xK1190-0606	06-5/16"	5/8"-18-UNF-2B	64.2	36.2	12.9	19
2xK1190-0808	08-13/32"	3/4"-16-UNF-2B	64.0	33.0	16.0	22
2xK1190-0811*	08-13/32"	1"-14-UNS-2B	67.5	36.5	16.4	29
2xK1190-1008	10-1/2"	3/4"-16-UNF-2B	64.5	32.5	16.0	22
2xK1190-1010	10-1/2"	7/8"-14-UNF-2B	60.4	28.4	16.4	27
2xK1190-1011*	10-1/2"	1"-14-UNS-2B	67.5	35.5	16.4	29
2xK1190-1210	12-5/8"	7/8"-14-UNF-2B	66.5	34.5	16.4	27
2xK1190-1211*	12-5/8"	1"-14-UNS-2B	67.5	35.5	16.4	29

* = Rotalock

2xK1194▲

COMPACT FITTING O-RING FEMALE FITTING WITH HIGH PRESSURE VALVE RACCORDO FEMMINA COMPATTA O-RING 90° CON VALVOLA ALTA PRESSIONE



Code Codice	Hose size 1 Size tubo 1	Threading Filettatura	L±2,5	L ₁ ±2,5	H±2,5	W
2xK1194-0606	06-5/16"	5/8"-18-UNF-2B	64.2	36.2	12.9	19
2xK1194-0808	08-13/32"	3/4"-16-UNF-2B	57.5	26.5	16.0	22
2xK1194-0811*	08-13/32"	1"-14-UNS-2B	67.5	36.5	16.4	29
2xK1194-1008	10-1/2"	3/4"-16-UNF-2B	64.5	32.5	16.0	22

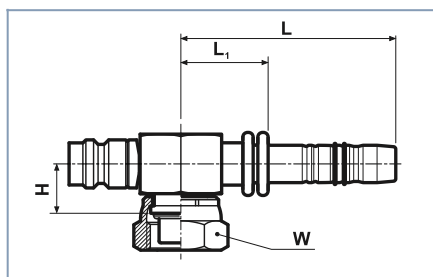
* = Rotalock

▲ = For R1234yf indicate 2xK1198

Per R1234yf indicare 2xK1198

2xK1194▲...PA6

COMPACT FITTING O-RING FEMALE FITTING WITH HIGH PRESSURE VALVE RACCORDO FEMMINA COMPATTA O-RING CON VALVOLA ALTA PRESSIONE



Code Codice	Hose size 1 Size tubo 1	Threading Filettatura	L±2,5	L ₁ ±2,5	H±2,5	W
2xK1194-0606PA6	06-5/16"	5/8"-18-UNF-2B	64.2	36.2	12.9	19
2xK1194-0808PA6	08-13/32"	3/4"-16-UNF-2B	57.5	26.5	16.0	22
2xK1194-0811PA6*	08-13/32"	1"-14-UNS-2B	67.5	36.5	16.4	29

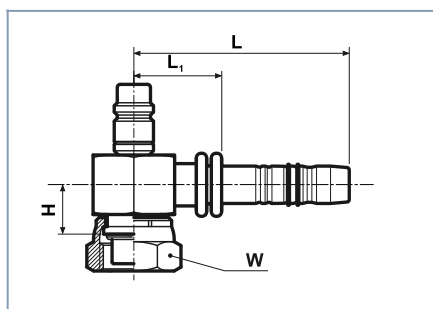
* = Rotalock

▲ = For R1234yf indicate 2xK1198

Per R1234yf indicare 2xK1198

2xK1195▲

COMPACT FITTING O-RING FEMALE FITTING WITH LOW PRESSURE VALVE RACCORDO FEMMINA COMPATTA O-RING CON VALVOLA BASSA PRESSIONE



Code Codice	Hose size 1 Size tubo 1	Threading Filettatura	L±2,5	L ₁ ±2,5	H±2,5	W
2xK1195-0808	08-13/32"	3/4"-16-UNF-2B	64.5	33.5	16.4	22
2xK1195-1010	10-1/2"	7/8"-14-UNF-2B	67.5	35.5	16.4	27
2xK1195-1011*	10-1/2"	1"-14-UNS-2B	67.5	35.5	16.4	29
2xK1195-1211*	12-5/8"	1"-14-UNS-2B	67.5	35.5	16.4	29

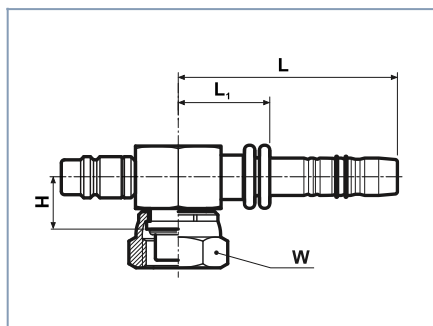
* = Rotalock

▲ = For R1234yf indicate 2xK1199

Per R1234yf indicare 2xK1199

2xK1195▲...PA6

COMPACT FITTING O-RING FEMALE FITTING WITH LOW PRESSURE VALVE RACCORDO FEMMINA COMPATTA O-RING CON VALVOLA BASSA PRESSIONE



Code Codice	Hose size 1 Size tubo 1	Threading Filettatura	L±2,5	L ₁ ±2,5	H±2,5	W
2xK1195-0808PA6	08-13/32"	3/4"-16-UNF-2B	64.5	33.5	16.4	22
2xK1195-1010PA6	10-1/2"	7/8"-14-UNF-2B	67.5	35.5	16.4	27
2xK1195-1011PA6*	10-1/2"	1"-14-UNS-2B	67.5	35.5	16.4	29
2xK1195-1210PA6	12-5/8"	7/8"-14-UNF-2B	66.5	34.5	16.4	27
2xK1195-1211PA6*	12-5/8"	1"-14-UNS-2B	67.5	35.5	16.4	29

* = Rotalock

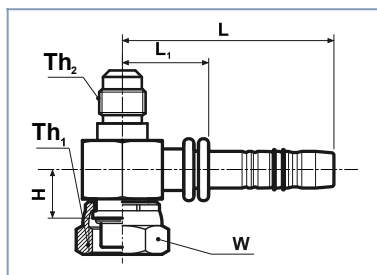
▲ = For R1234yf indicate 2xK1199

Per R1234yf indicare 2xK1199

2xK1196

COMPACT FITTING O-RING FEMALE FITTING WITH CHARGE VALVE

RACCORDO FEMMINA COMPATTA O-RING CON VALVOLA DI CARICA



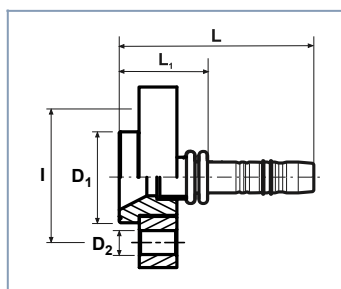
Code Codice	Hose size 1 Size tubo 1	Threading Filettatura	Threading 2 Filettatura 2	L $\pm 2,5$	L ₁ $\pm 2,5$	H $\pm 2,5$	W
2xK1196-0606	06-5/16"	5/8"-18-UNF-2B	7/16" 20 UNF	64.2	36.2	12.9	19
2xK1196-0808	08-13/32"	3/4"-16-UNF-2B	7/16" 20 UNF	57.5	26.5	16.0	22
2xK1196-0811*	08-13/32"	1"-14-UNS-2B	7/16" 20 UNF	67.5	36.5	16.4	29
2xK1196-1010	10-1/2"	7/8"-14-UNF-2B	7/16" 20 UNF	67.5	35.5	16.4	27
2xK1196-1011*	10-1/2"	1"-14-UNS-2B	7/16" 20 UNF	67.5	35.5	16.4	29

* = Rotalock

2xL7100

STRAIGHT FLANGE FITTING

RACCORDO DRITTO CON FLANGIA

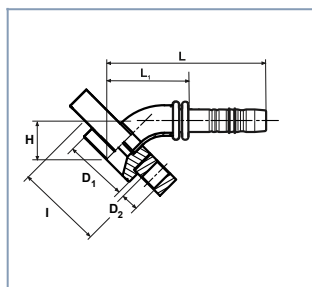


Code Codice	Hose size 1 Size tubo 1	L $\pm 2,5$	L ₁ $\pm 2,5$	D ₁	D ₂	I $\pm 2,5$
2xL7100-1416	14-3/4"	81.4	43.4	41.8	11	60
2xL7100-1420	14-3/4"	81.4	43.4	48	11	60
2xL7100-1816	18 - 1"	85.0	35.0	41.8	11	60
2xL7100-1820	18 - 1"	85.0	35.0	48	11	60

2xL7140

FLANGE FITTING 45° ELBOW

RACCORDO CON FLANGIA CURVA 45°

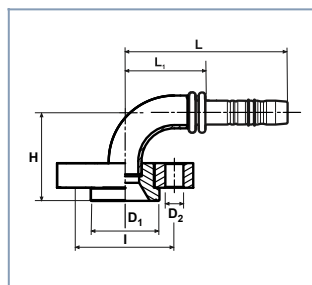


Code Codice	Hose size 1 Size tubo 1	L $\pm 2,5$	L ₁ $\pm 2,5$	H $\pm 2,5$	D ₁	D ₂	I $\pm 2,5$
2xL7140-1416	14-3/4"	91.7	53.7	25.5	41.8	11	60
2xL7140-1420	14-3/4"	91.7	53.7	25.5	48	11	60
2xL7140-1816	18 - 1"	117.7	67.7	31.5	41.8	11	60
2xL7140-1820	18 - 1"	117.7	67.7	31.5	48	11	60

2xL7190

FLANGE FITTING 90° ELBOW

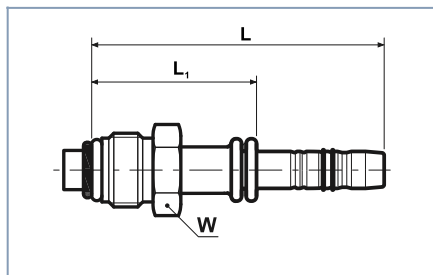
RACCORDO CON FLANGIA CURVA 90°



Code Codice	Hose size 1 Size tubo 1	L $\pm 2,5$	L ₁ $\pm 2,5$	H $\pm 2,5$	D ₁	D ₂	I $\pm 2,5$
2xL7190-1416	14-3/4"	83.2	45.2	54.2	41.8	11	60
2xL7190-1420	14-3/4"	83.2	45.2	54.2	48	11	60
2xL7190-1816	18 - 1"	105.2	55.2	62.3	41.8	11	60
2xL7190-1820	18 - 1"	105.2	55.2	62.3	48	11	60

2xM3100

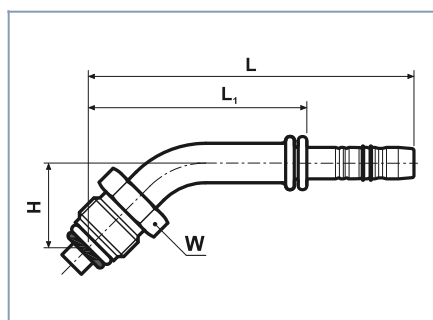
STRAIGHT O-RING SWIVEL MALE FITTING RACCORDO MASCHIO O-RING GIREVOLE DRITTO



Code Codice	Hose size 1 Size tubo 1	Threading Filettatura	L \pm 2,5	L $_1$ \pm 2,5	H \pm 2,5	W
2xM3100-0606	06-5/16"	5/8"-18-UNF-2A	73.2	45.2	-	17
2xM3100-0806	08-13/32"	5/8"-18-UNF-2A	77.5	46.5	-	17
2xM3100-0808	08-13/32"	3/4"-18-UNF-2A	82.7	51.7	-	22
2xM3100-1010	10-1/2"	7/8"-18-UNS-2A	84.2	52.2	-	22
2xM3100-1210	12-5/8"	7/8"-18-UNS-2A	84.2	52.2	-	22
2xM3100-1212	12-5/8"	1.1/16"-16-UN-2A	83.7	51.7	-	27

2xM3140

45° ELBOW O-RING SWIVEL MALE FITTING RACCORDO MASCHIO O-RING GIREVOLE CURVA 45°

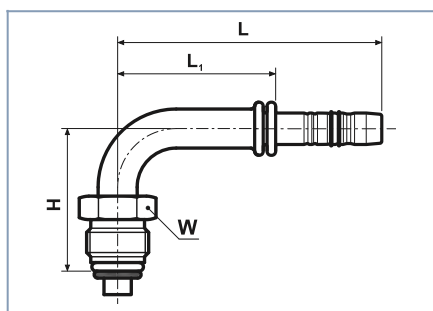


Code Codice	Hose size 1 Size tubo 1	Threading Filettatura	L \pm 2,5	L $_1$ \pm 2,5	H \pm 2,5	W
2xM3140-0606	06-5/16"	5/8"-18-UNF-2A	92.2	64.2	21.5	17
2xM3140-0806	08-13/32"	5/8"-18-UNF-2A	tbd	tbd	tbd	tbd
2xM3140-0808	08-13/32"	3/4"-18-UNF-2A	112.5	81.5	25.0	22
2xM3140-1010	10-1/2"	7/8"-18-UNS-2A	131.2	99.2	29.5	22
2xM3140-1210	12-5/8"	7/8"-18-UNS-2A	tbd	tbd	tbd	tbd
2xM3140-1212	12-5/8"	1.1/16"-16-UN-2A	130.2	98.2	30.0	27

tbd = to be defined / in fase di definizione

2xM3190

90° ELBOW O-RING SWIVEL MALE FITTING RACCORDO MASCHIO O-RING GIREVOLE CURVA 90°

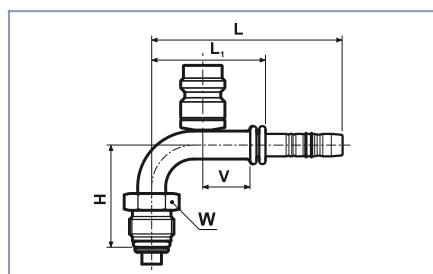


Code Codice	Hose size 1 Size tubo 1	Threading Filettatura	L \pm 2,5	L $_1$ \pm 2,5	H \pm 2,5	W
2xM3190-0606	06-5/16"	5/8"-18-UNF-2A	65.5	37.5	38.5	17
2xM3190-0806	08-13/32"	5/8"-18-UNF-2A	tbd	tbd	tbd	tbd
2xM3190-0808	08-13/32"	3/4"-18-UNF-2A	82.8	51.8	48.0	22
2xM3190-1010	10-1/2"	7/8"-18-UNS-2A	101.2	69.2	54.5	22
2xM3190-1210	12-5/8"	7/8"-18-UNS-2A	101.2	69.2	54.5	22
2xM3190-1212	12-5/8"	1.1/16"-16-UN-2A	98.0	66.0	55.5	27

tbd = to be defined / in fase di definizione

2xM3194▲

90° ELBOW O-RING SWIVEL MALE FITTING WITH HIGH PRESSURE VALVE RACCORDO MASCHIO O-RING GIREVOLE CURVA 90° VALVOLA ALTA PRESSIONE



Code Codice	Hose size 1 Size tubo 1	Threading Filettatura	L \pm 2,5	L $_1$ \pm 2,5	H \pm 2,5	V \pm 2,0	W
2xM3194-0606	06-5/16"	5/8"-18-UNF-2A	65.5	37.5	38.5	8.5	17
2xM3194-0808	08-13/32"	3/4"-18-UNF-2A	tbd	tbd	tbd	tbd	tbd

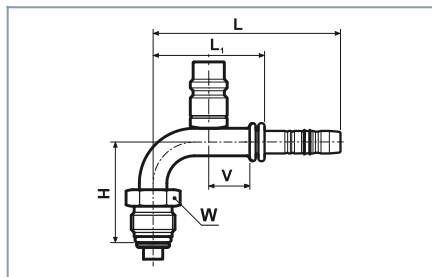
tbd = to be defined / in fase di definizione

▲ = For R1234yf indicate 2xM3198
Per R1234yf indicare 2xM3198

2xM3195▲

90° ELBOW O-RING SWIVEL MALE FITTING WITH LOW PRESSURE VALVE

RACCORDO MASCHIO O-RING GIREVOLE CURVA 90° VALVOLA BASSA PRESSIONE



Code Codice	Hose size 1 Size tubo 1	Threading Filettatura	L±2,5	L ₁ ±2,5	H±2,5	V±2,0	W
2xM3195-1010	10-1/2"	7/8"-18-UNS-2A	101.0	69.0	54.5	16.0	22
2xM3195-1210	12-5/8"	7/8"-18-UNS-2A	tbd	tbd	tbd	tbd	tbd
2xM3195-1212	12-5/8"	1.1/16"-16-UN-2A	tbd	tbd	tbd	tbd	tbd

tbd = to be defined / in fase di definizione

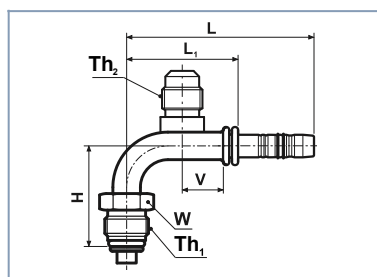
▲ = For R1234yf indicate 2xM3199

Per R1234yf indicare 2xM3199

2xM3196

90° ELBOW O-RING SWIVEL MALE FITTING WITH CHARGE VALVE

RACCORDO MASCHIO O-RING GIREVOLE CURVA 90° VALVOLA DI CARICA



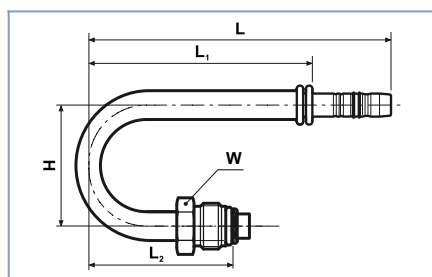
Code Codice	Hose size 1 Size tubo 1	Threading Filettatura	Threading 2 Filettatura 2	L±2,5	L ₁ ±2,5	H±2,5	V±2,0	W
2xM3196-0606	06-5/16"	5/8"-18-UNF-2A	7/16" 20 UNF	tbd	tbd	tbd	tbd	tbd

tbd = to be defined / in fase di definizione

2xM31U0

180° ELBOW O-RING SWIVEL MALE FITTING

RACCORDO MASCHIO O-RING GIREVOLE CURVA 180°



Code Codice	Hose size 1 Size tubo 1	Threading Filettatura	L±2,5	L ₁ ±2,5	L ₂ ±2,5	H±2,5	W
2xM31U0-0606 ^(?)	06-5/16"	5/8"-18-UNF-2A	104.5	76.5	50.0	42.0	17
2xM31U0-0808	08-13/32"	3/4"-18-UNF-2A	tbd	tbd	tbd	tbd	tbd
2xM31U0-1010 ⁽¹⁾	10-1/2"	7/8"-18-UNS-2A	108.0	76.0	52.5	50.0	22

⁽¹⁾ = 1 curva – 1 bend

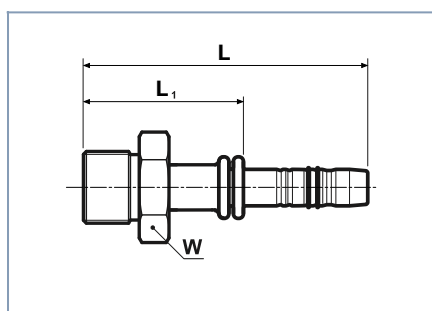
^(?) = 2 curve a 90° - 2 x 90° bends

tbd = to be defined / in fase di definizione

2xM3300

STRAIGHT O-RING FIXED MALE FITTING

RACCORDO MASCHIO FISSO O-RING DRITTO



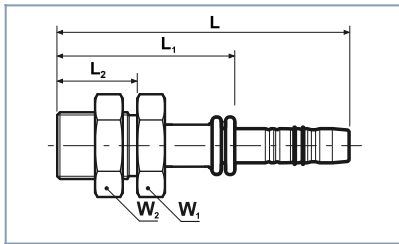
Code Codice	Hose size 1 Size tubo 1	Threading Filettatura	L±2,5	L ₁ ±2,5	W
2xM3300-0606	06-5/16"	5/8"-18-UNF-2A	68.0	40.0	17
2xM3300-0806	08-13/32"	5/8"-18-UNF-2A	92.1	61.1	17
2xM3300-0808C19	08-13/32"	3/4"-16-UNF-2A	94.1	63.1	19
2xM3300-0810	08-13/32"	7/8"-14-UNF-2A	tbd	tbd	tbd
2xM3300-1010	10-1/2"	7/8"-14-UNF-2A	78.0	46.0	24
2xM3300-1210	12-5/8"	7/8"-14-UNF-2A	78.0	46.0	24

tbd = to be defined / in fase di definizione

2xM3300...EA2

STRAIGHT O-RING FIXED MALE FITTING WITH COUNTER NUT BULKHEAD

RACCORDO MASCHIO FISSO O-RING DRITTO CON CONTRODADO PASSA PARETE

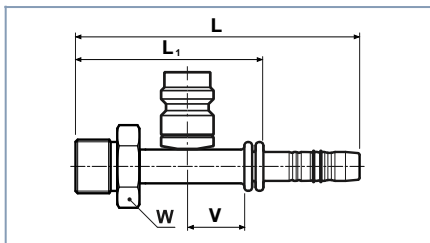


Code Codice	Hose size 1 Size tubo 1	Threading Filettatura	L \pm 2,5	L $_1$ \pm 2,5	L $_2$ \pm 2,5	W $_1$	W $_2$
2xM3300-0606EA2	06-5/16"	5/8"-18-UNF-2A	80.9	52.9	25.5	24	24
2xM3300-0808EA2	08-13/32"	3/4"-16-UNF-2A	88.7	57.7	26	29	29
2xM3300-1010EA2	10-1/2"	7/8"-14-UNF-2A	85.7	53.7	25.5	29	29

2xM3304▲

STRAIGHT O-RING FIXED MALE FITTING WITH HIGH PRESSURE VALVE

RACCORDO MASCHIO FISSO O-RING DRITTO CON VALVOLA ALTA PRESSIONE



Code Codice	Hose size 1 Size tubo 1	Threading Filettatura	L \pm 2,5	L $_1$ \pm 2,5	V \pm 2,0	W
2xM3304-0606	06-5/16"	5/8"-18-UNF-2A	tbd	tbd	tbd	tbd
2xM3304-0808	08-13/32"	3/4"-16-UNF-2A	tbd	tbd	tbd	tbd

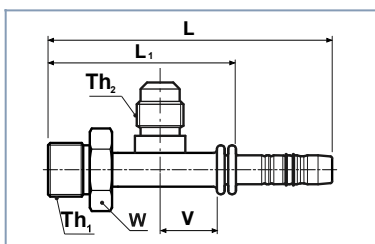
tbd = to be defined / in fase di definizione

▲ = For R1234yf indicate 2xM3308
Per R1234yf indicare 2xM3308

2xM3306

STRAIGHT O-RING FIXED MALE FITTING WITH CHARGE VALVE

RACCORDO MASCHIO FISSO O-RING DRITTO CON VALVOLA DI CARICA



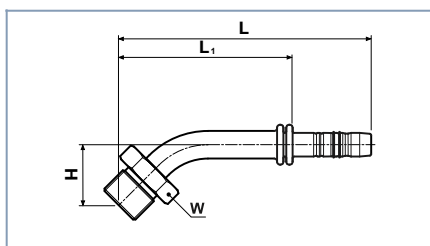
Code Codice	Hose size 1 Size tubo 1	Threading Filettatura	Threading 2 Filettatura 2	L \pm 2,5	L $_1$ \pm 2,5	V \pm 2,0	W
2xM3306-0606	06-5/16"	5/8"-18-UNF-2A	7/16" 20 UNF	tbd	tbd	tbd	tbd

tbd = to be defined / in fase di definizione

2xM3340

45° ELBOW O-RING FIXED MALE FITTING

RACCORDO MASCHIO FISSO O-RING CURVA 45°



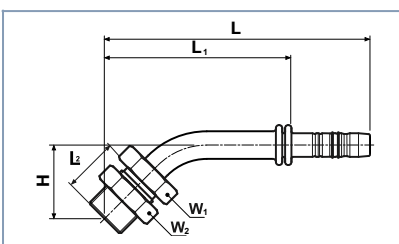
Code Codice	Hose size 1 Size tubo 1	Threading Filettatura	L \pm 2,5	L $_1$ \pm 2,5	H \pm 2,5	W
2xM3340-0606	06-5/16"	5/8"-18-UNF-2A	93.5	65.5	19.5	17
2xM3340-0808	08-13/32"	3/4"-16-UNF-2A	tbd	tbd	tbd	tbd
2xM3340-1010	10-1/2"	7/8"-14-UNF-2A	tbd	tbd	tbd	tbd

tbd = to be defined / in fase di definizione

2xM3340...EA2

45° ELBOW O-RING FIXED MALE FITTING WITH COUNTER NUT BULKHEAD

RACCORDO MASCHIO FISSO O-RING CURVA 45° PASSA PARETE



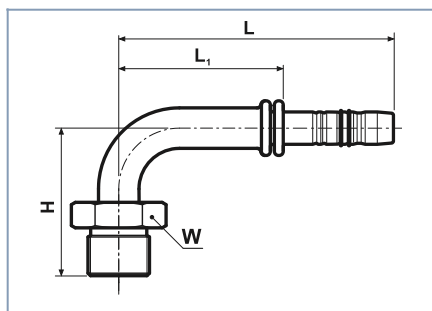
Code Codice	Hose size 1 Size tubo 1	Threading Filettatura	L \pm 2,5	L $_1$ \pm 2,5	L $_2$ \pm 2,5	H \pm 2,5	W $_1$	W $_2$
2xM3340-0606EA2	06-5/16"	5/8"-18-UNF-2A	tbd	tbd	tbd	tbd	tbd	tbd
2xM3340-0808EA2	08-13/32"	3/4"-16-UNF-2A	tbd	tbd	tbd	tbd	tbd	tbd
2xM3340-1010EA2	10-1/2"	7/8"-14-UNF-2A	tbd	tbd	tbd	tbd	tbd	tbd

tbd = to be defined / in fase di definizione

2xM3390

90° ELBOW O-RING FIXED MALE FITTING

RACCORDO MASCHIO FISSO O-RING 90°



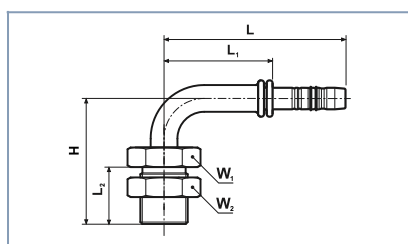
Code Codice	Hose size 1 Size tubo 1	Threading Filettatura	L±2,5	L ₁ ±2,5	H±2,5	W
2xM3390-0606	06-5/16"	5/8"-18-UNF-2A	tbd	tbd	tbd	tbd
2xM3390-0806	08-13/32"	5/8"-18-UNF-2A	tbd	tbd	tbd	tbd
2xM3390-0808	08-13/32"	3/4"-16-UNF-2A	80.5	49.5	41.4	22
2xM3390-1008	10-1/2"	3/4"-16-UNF-2A	tbd	tbd	tbd	tbd
2xM3390-1010	10-1/2"	7/8"-14-UNF-2A	tbd	tbd	tbd	tbd
2xM3390-1212	12-5/8"	1.1/16"-14-UNS-2A	95.2	63.2	55.3	30

tbd = to be defined / in fase di definizione

2xM3390...EA2

90° ELBOW O-RING FIXED MALE BULKHEAD FITTING

RACCORDO MASCHIO FISSO O-RING 90° PASSA PARETE

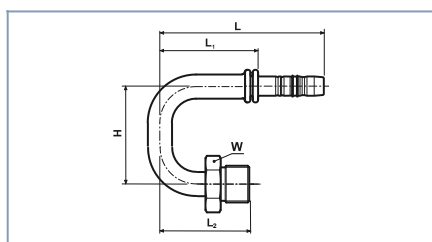


Code Codice	Hose size 1 Size tubo 1	Threading Filettatura	L±2,5	L ₁ ±2,5	L ₂ ±2,5	H±2,5	W ₁	W ₂
2xM3390-0606EA2	06-5/16"	5/8"-18-UNF-2A	76.2	48.2	25.5	49.5	24	24
2xM3390-0808EA2	08-13/32"	3/4"-16-UNF-2A	83.5	52.5	26	56.0	29	29
2xM3390-1010EA2	10-1/2"	7/8"-14-UNF-2A	95.0	63.0	25.5	59.5	29	29

2xM33U0

180° ELBOW O-RING FIXED MALE FITTING

RACCORDO MASCHIO FISSO O-RING CURVA 180°



Code Codice	Hose size 1 Size tubo 1	Threading Filettatura	L±2,5	L ₁ ±2,5	L ₂ ±2,5	H±2,5	W
2xM33U0-0606 ^(?)	06-5/16"	5/8"-18-UNF-2A	110.0	82.0	57	65.0	17

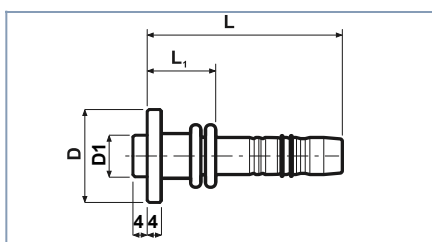
⁽¹⁾ = 1 curva – 1 bend

^(?) = 2 curve a 90° - 2 x 90° bends

2xP6100

STRAIGHT COMPRESSOR CONNECTION

RACCORDO ATTACCO COMPRESSORE DRITTO

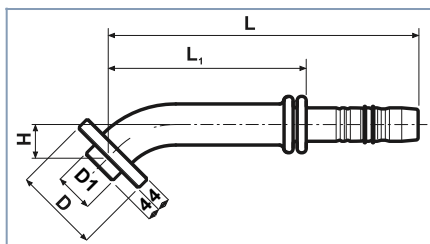


Code Codice	Hose size 1 Size tubo 1	L±2,5	L ₁ ±2,5	D	D1
2xP6100-0826	08-13/32"	tbd	tbd	26	11.57
2xP6100-1030	10-1/2"	tbd	tbd	30	14.34

tbd = to be defined / in fase di definizione

2xP6140

45° ELBOW COMPRESSOR CONNECTION RACCORDO ATTACCO COMPRESSORE 45°

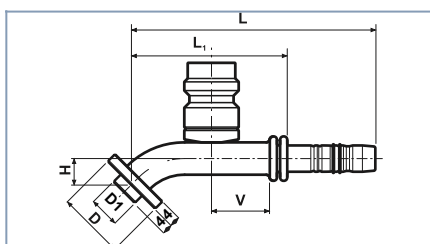


Code Codice	Hose size 1 Size tubo 1	L \pm 2,5	L $_1$ \pm 2,5	H \pm 2,5	D	D1
2xP6140-0826	08-13/32"	tbd	tbd	tbd	26	11.57
2xP6140-1030	10-1/2"	tbd	tbd	tbd	30	14.34

tbd = to be defined / in fase di definizione

2xP6144▲

45° ELBOW COMPRESSOR CONNECTION WITH HIGH PRESS. VALVE RACCORDO ATTACCO COMPRESSORE 45° VALVOLA ALTA PRESS.



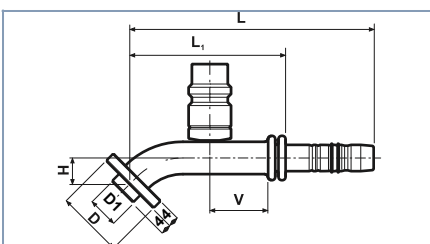
Code Codice	Hose size 1 Size tubo 1	L \pm 2,5	L $_1$ \pm 2,5	H \pm 2,5	V \pm 2,0	D	D1
2xP6144-0826	08-13/32"	tbd	tbd	tbd	tbd	26	11.57

tbd = to be defined / in fase di definizione

▲ = For R1234yf indicate 2xP6148
Per R1234yf indicare 2xP6148

2xP6145▲

45° ELBOW COMPRESSOR CONNECTION WITH LOW PRESS. VALVE RACCORDO ATTACCO COMPRESSORE 45° VALVOLA BASSA PRESS.



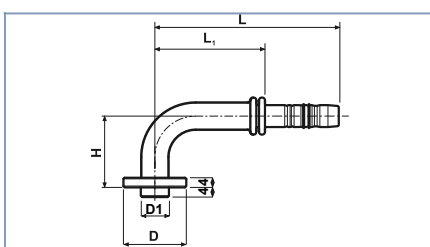
Code Codice	Hose size 1 Size tubo 1	L \pm 2,5	L $_1$ \pm 2,5	H \pm 2,5	V \pm 2,0	D	D1
2xP6145-1030	10-1/2"	tbd	tbd	tbd	tbd	30	14.34

tbd = to be defined / in fase di definizione

▲ = For R1234yf indicate 2xP6149
Per R1234yf indicare 2xP6149

2xP6190

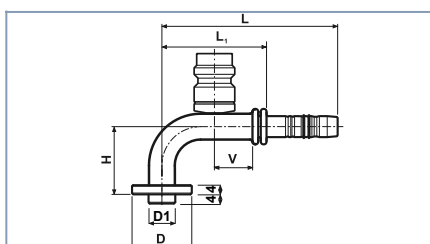
90° ELBOW COMPRESSOR CONNECTION FITTING RACCORDO ATTACCO COMPRESSORE 90°



Code Codice	Hose size 1 Size tubo 1	L \pm 2,5	L $_1$ \pm 2,5	H \pm 2,5	D	D1
2xP6190-0826	08-13/32"	92.9	61.9	29.0	26	11.57
2xP6190-1030	10-1/2"	103.5	71.5	48.0	30	14.34

2xP6194▲

90° ELBOW COMPRESSOR CONNECTION WITH HIGH PRESS. VALVE RACCORDO ATTACCO COMPRESSORE 90° VALVOLA ALTA PRESS.

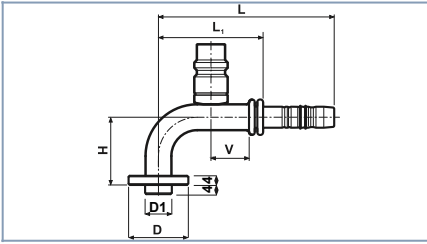


Code Codice	Hose size 1 Size tubo 1	L \pm 2,5	L $_1$ \pm 2,5	H \pm 2,5	V \pm 2,0	D	D1
2xP6194-0826	08-13/32"	92.9	61.9	29.0	16.0	26	11.57

▲ = For R1234yf indicate 2xP6198
Per R1234yf indicare 2xP6198

2xP6195▲

90° ELBOW COMPRESSOR CONNECTION WITH LOW PRESS. VALVE
RACCORDO ATTACCO COMPRESSORE 90° VALVOLA BASSA PRESS.

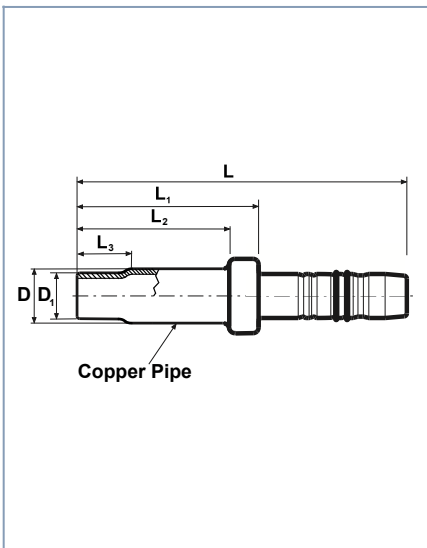


Code Codice	Hose size 1 Size tubo 1	L±2,5	L ₁ ±2,5	H±2,5	V±2,0	D	D1
2xP6195-1030	10-1/2"	103.5	71.5	48.0	16.0	30	14.34

▲ = For R1234yf indicate 2xP6149
 Per R1234yf indicare 2xP6149

D2xM0100

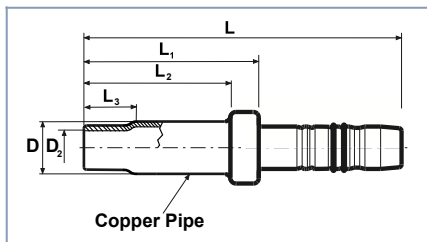
STRAIGHT FITTING WITH COPPER PIPE MALE CONNECTION (to be brazed)
RACCORDO MASCHIO DRITTO CON TUBO IN RAME (da brasare)



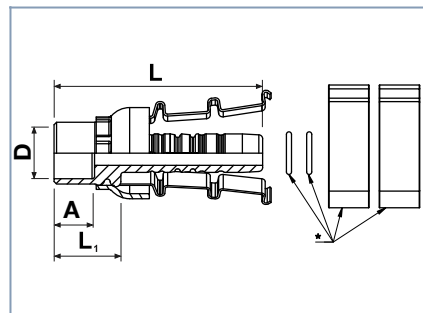
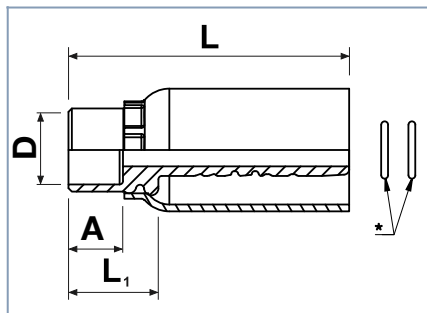
Code Codice	Hose size 1 Size tubo 1	D	D ₁	+0.1 -0.3	L±2,5	L ₁ ±2,5	L ₂ ±2,5	L ₃ ±2,5
D2xM0100-0608	06-5/16"	10	8		190.0	162.0	148.8	10
D2xM0100-0610	06-5/16"	10	10		190.0	162.0	148.8	0
D2xM0100-0610L080	06-5/16"	10	10		121.0	93.0	79.8	0
D2xM0100-0810	08-13/32"	12	10		195.0	164.0	149.5	10
D2xM0100-0812	08-13/32"	12	12		195.0	164.0	149.5	0
D2xM0100-0812L080	08-13/32"	12	12		125.5	94.5	80.0	0
D2xM0100-1014L080	10-1/2"	14	14		126.0	94.0	80.0	0
D2xM0100-1016	10-1/2"	16	16		195.0	163.0	149.0	0
D2xM0100-1016L080	10-1/2"	16	16		126.0	94.0	80.0	0
D2xM0100-1216	12-5/8"	16	16		195.0	163.0	149.0	0
D2xM0100-1422	14-3/4"	22	22		201.0	163.0	151.0	0
D2xM0100-1422L034	14-3/4"	22	22		84.0	46.0	34.0	0
D2xM0100-1828	18 - 1"	28	28		217.0	167.0	151.0	0
D2xM0100-1828L084	18 - 1"	28	28		150.0	100.0	84.0	0

D2xF0100

STRAIGHT FITTING WITH COPPER PIPE FEMALE CONNECTION (to be brazed)
RACCORDO FEMMINA DRITTO CON TUBO IN RAME (da brasare)



Code Codice	Hose size 1 Size tubo 1	D	D ₂	+0.3 -0.1	L±2,5	L ₁ ±2,5	L ₂ ±2,5	L ₃ ±2,5
D2xF0100-14223	14-3/4"	22	20		184.0	146.0	134.0	0
D2xF0100-10128	10-1/2"	16	12.8		195.0	163.0	149.0	8



Code Codice	Hose size 1 Size tubo 1	L±2,5	L ₁ ±2,5	D	A
2xF0000-0610	06-5/16"	41.2	13.2	10	8
2xF0000-0812	08-13/32"	45.5	14.5	12	8
2xF0000-1016	10-1/2"	46.0	14.0	16	8
2xF0000-1216	12-5/8"	46.0	14.0	16	8
2xF0000-1218	12-5/8"	46.0	14.0	18	8

* = Supplied disassembled in a plastic bag
 * = Forniti smontati a corredo in sacchetto

KlimaKlamp[®]

Repair kit for A/C

Kit di riparazione A/C



Our patent pending and universal system KlimaKlamp[®] will allow you to do the repair in few minutes on every vehicle, with time and cost saving.

Il nostro sistema universale KlimaKlamp[®] (patent pending) ti consente di effettuare la riparazione in pochi minuti e su qualsiasi veicolo, risparmiando tempo e denaro.

U.S. patent pending application number 15/830.346.

Canada patent pending application number 2,988,136.

E.U. patent pending.

 **KlimaKlamp[®] Tutorial**

 **KlimaKlamp[®] Assembling Instructions**

KLIMAKLAMP[®]

**Tubo ARIA
CONDIZIONATA Rotto?**
Is the AIR
CONDITIONING Hose
Broken?

Vuoi Spendere Poco?
Do You Want To Save
Money?

**Ricambio Originale
NON Disponibile?**
Original Spare Part
NOT Available?

Hai Poco TEMPO?
Are You In A
Hurry?

**Ti Serve Il Nostro
Sistema ESCLUSIVO
KlimaKlamp[®]**
All You Need Is Our
Exclusive KlimaKlamp[®]
System



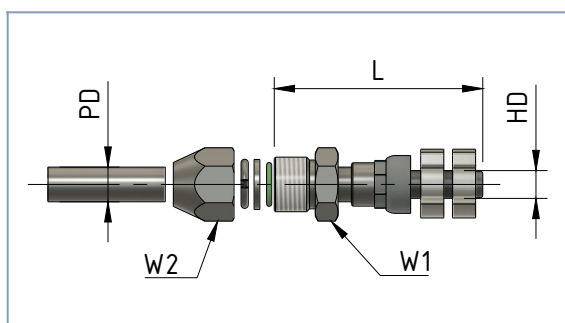
**Risolto In Meno
di 10 Min !!!**
Solved and That's It !!
In Less Than
10 Minutes !!!!

MADE IN ITALY



2xM3600

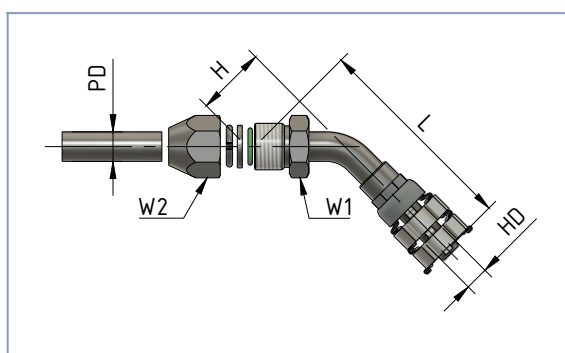
KLIMAKLAMP® STRAIGHT FITTING RACCORDO KLIMAKLAMP® DRITTO



Code Codice	Hose size 1 Size tubo 1 (HD)	Threading Filettatura	L±2,5	W1	W2	D (PD)
2xM3600-0605	06-5/16"	5/8"-18-UNF-2A	68.0	17	19	7.6÷8.5
2xM3600-0606	06-5/16"	5/8"-18-UNF-2A	68.0	17	19	9.5÷10
2xM3600-0808	08-13/32"	3/4"-16-UNF-2A	94.1	19	22	12÷12.7
2xM3600-1010	10-1/2"	7/8"-14-UNF-2A	78.0	22	27	15.8÷16
2xM3600-1210	12-5/8"	7/8"-14-UNF-2A	78.0	22	27	15.8÷16
2xM3600-1212	12-5/8"	1.1/16"-14-UNS-2A	81.3	27	32	18÷19.1

2xM3640

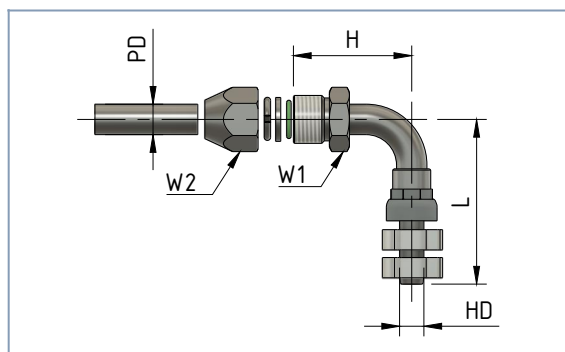
45° ELBOW KLIMAKLAMP® FITTING RACCORDO KLIMAKLAMP® CURVA 45°



Code Codice	Hose size 1 Size tubo 1 (HD)	Threading Filettatura	L±2,5	H±2,5	W1	W2	D (PD)
2xM3640-0605	06-5/16"	5/8"-18-UNF-2A	92.5	21.0	17	19	7.6÷8.5
2xM3640-0606	06-5/16"	5/8"-18-UNF-2A	92.5	21.0	17	19	9.5÷10
2xM3640-0808	08-13/32"	3/4"-16-UNF-2A	104.0	24.0	19	22	12÷12.7
2xM3640-1010	10-1/2"	7/8"-14-UNF-2A	104.0	28.5	22	27	15.8÷16
2xM3640-1210	12-5/8"	7/8"-14-UNF-2A	104.0	28.5	22	27	15.8÷16
2xM3640-1212	12-5/8"	1.1/16"-14-UNS-2A	106.5	31.0	27	32	18÷19.1

2xM3690

90° ELBOW KLIMAKLAMP® FITTING RACCORDO KLIMAKLAMP® CURVA 90°



Code Codice	Hose size 1 Size tubo 1 (HD)	Threading Filettatura	L±2,5	H±2,5	W1	W2	D (PD)
2xM3690-0605	06-5/16"	5/8"-18-UNF-2A	66.0	36.2	17	19	7.6÷8.5
2xM3690-0606	06-5/16"	5/8"-18-UNF-2A	66.0	36.2	17	19	9.5÷10
2xM3690-0808	08-13/32"	3/4"-16-UNF-2A	80.5	41.4	19	22	12÷12.7
2xM3690-1010	10-1/2"	7/8"-14-UNF-2A	95.0	51.8	22	27	15.8÷16
2xM3690-1210	12-5/8"	7/8"-14-UNF-2A	95.0	51.8	22	27	15.8÷16
2xM3690-1212	12-5/8"	1.1/16"-14-UNS-2A	95.2	55.3	27	32	18÷19.1

KK-BOX-TST-000

BOX KLIMAKLAMP® Tools and fittings (TEST Version)

BOX KLIMAKLAMP® Utensili e raccordi (Versione TEST)



Box Content Contenuto Box		
Code Codice	Description Descrizione	Q.ty (pc) Q.ta (pz)
P-CUT-000	ROLLER PIPE CUTTING TOOL	1
SBV-001	DEBURRING TOOL FOR PIPES	1
PLIERS-001-01	CLOSE PLIERS STANDARD (BASIC)	1
H-CUT-001	HOSE CUTTING TOOL -BASIC	1
20M3600C0606	Fitting KlimaKlamp® straight 06	2
20M3600C0808	Fitting KlimaKlamp® straight 08	2
20M3600C1010	Fitting KlimaKlamp® straight 10	2
FG100DN08-01000	Flexible Hose S06 (1 m)	1
FG100DN10-01000	Flexible Hose S08 (1 m)	1
FG100DN13-01000	Flexible Hose S10 (1 m)	1

KK-BOX-BSC-001

BOX KLIMAKLAMP® Tools and fittings (BASIC Version)

BOX KLIMAKLAMP® Utensili e raccordi (Versione BASIC)



Box Content Contenuto Box		
Code Codice	Description Descrizione	Q.ty (pc) Q.ta (pz)
P-CUT-000	ROLLER PIPE CUTTING TOOL	1
SBV-001	DEBURRING TOOL FOR PIPES	1
PLIERS-001-01	CLOSE PLIERS STANDARD (BASIC)	1
H-CUT-001	HOSE CUTTING TOOL -BASIC	1
SERV-KIT-001	SPARE PARTS KIT BASIC	1
20M3600C0606	Fitting KlimaKlamp® straight - 06	2
20M3600C0808	Fitting KlimaKlamp® straight - 08	1
20M3600C1010	Fitting KlimaKlamp® straight - 10	1
20M3600C1210	Fitting KlimaKlamp® straight - 12	1
20M3640C0808	45° Elbow KlimaKlamp® Fitting - 08	1
20M3640C1010	45° Elbow KlimaKlamp® Fitting - 10	1
20M3640C1210	45° Elbow KlimaKlamp® Fitting - 12	1
20M3690C0808	90° Elbow KlimaKlamp® Fitting - 08	1
20M3690C1010	90° Elbow KlimaKlamp® Fitting - 10	1
20M3690C1210	90° Elbow KlimaKlamp® Fitting - 12	1
FG100DN08-01000	Flexible Hose S06 (1 m)	1
FG100DN10-01000	Flexible Hose S08 (1 m)	1
FG100DN13-01000	Flexible Hose S10 (1 m)	1
FG100DN16-01000	Flexible Hose S12 (1 m)	1

Official Statement:

"KlimaKlamp® System (both kit and fittings) will work correctly only if used with its specific Hoses and Tools (already in the kit or proposed separately on this document)".

Comunicazione Ufficiale:

"FlexinGroup srl garantisce il perfetto funzionamento del Sistema KlimaKlamp® (Kit e Raccordi a fascetta) solo se utilizzato con gli appositi Tubi in gomma ed Utensili già presenti nei Kit stessi o proposti separatamente in questo catalogo."

KK-BOX-PRF-000

BOX KLIMAKLAMP® Tools and fittings (PROFESSIONAL Version)

BOX KLIMAKLAMP® Utensili e raccordi (Versione PROFESSIONAL)



Box Content Contenuto Box		
Code Codice	Description Descrizione	Q.ty (pc) Q.ta (pz)
P-CUT-000	ROLLER PIPE CUTTING TOOL	1
SBV-001	DEBURRING TOOL FOR PIPES	1
PLIERS-001-01	CLOSE PLIERS STANDARD (BASIC)	1
H-CUT-001	HOSE CUTTING TOOL -BASIC	1
SERV-KIT-001	SPARE PARTS KIT BASIC	1
20M3600C0606	Fitting KlimaKlamp® straight - 06	2
20M3600C0808	Fitting KlimaKlamp® straight - 08	2
20M3600C1010	Fitting KlimaKlamp® straight - 10	2
20M3600C1210	Fitting KlimaKlamp® straight - 12	2
20M3640C0606	45° Elbow KlimaKlamp® Fitting - 06	1
20M3640C0808	45° Elbow KlimaKlamp® Fitting - 08	1
20M3640C1010	45° Elbow KlimaKlamp® Fitting - 10	1
20M3640C1210	45° Elbow KlimaKlamp® Fitting - 12	1
20M3690C0606	90° Elbow KlimaKlamp® Fitting - 06	1
20M3690C0808	90° Elbow KlimaKlamp® Fitting - 08	1
20M3690C1010	90° Elbow KlimaKlamp® Fitting - 10	2
20M3690C1210	90° Elbow KlimaKlamp® Fitting - 12	2
FG100DN08-02000	Flexible Hose S06 (2 m)	1
FG100DN10-02000	Flexible Hose S08 (2 m)	1
FG100DN13-02000	Flexible Hose S10 (2 m)	1
FG100DN16-02000	Flexible Hose S12 (2 m)	1

Official Statement:

“KlimaKlamp® System (both kit and fittings) will work correctly only if used with its specific Hoses and Tools (already in the kit or proposed separately on this document)”.

Comunicazione Ufficiale:

“FlexinGroup srl garantisce il perfetto funzionamento del Sistema KlimaKlamp® (Kit e Raccordi a fascetta) solo se utilizzato con gli appositi Tubi in gomma ed Utensili già presenti nei Kit stessi o proposti separatamente in questo catalogo.”

KK-BOX-PRM-000

BOX KLIMAKLAMP® Tools and fittings (PREMIUM Version)

BOX KLIMAKLAMP® Utensili e raccordi (Versione PREMIUM)



Box Content Contenuto Box		
Code Codice	Description Descrizione	Q.ty (pc) Q.ta (pz)
P-CUT-000	ROLLER PIPE CUTTING TOOL	1
SBV-001	DEBURRING TOOL FOR PIPES	1
PLIERS-001-01	CLOSE PLIERS STANDARD (BASIC)	1
H-CUT-001	HOSE CUTTING TOOL -BASIC	1
SERV-KIT-000	SPARE PARTS KIT PROFESSIONAL	1
20M3600C0606	Fitting KlimaKlamp® straight - 06	4
20M3600C0808	Fitting KlimaKlamp® straight - 08	4
20M3600C1010	Fitting KlimaKlamp® straight - 10	4
20M3600C1210	Fitting KlimaKlamp® straight - 12	4
20M3640C0606	45° Elbow KlimaKlamp® Fitting - 06	2
20M3640C0808	45° Elbow KlimaKlamp® Fitting - 08	2
20M3640C1010	45° Elbow KlimaKlamp® Fitting - 10	2
20M3640C1210	45° Elbow KlimaKlamp® Fitting - 12	2
20M3690C0606	90° Elbow KlimaKlamp® Fitting - 06	3
20M3690C0808	90° Elbow KlimaKlamp® Fitting - 08	3
20M3690C1010	90° Elbow KlimaKlamp® Fitting - 10	4
20M3690C1210	90° Elbow KlimaKlamp® Fitting - 12	4
FG100DN08-02000	Flexible Hose S06 (2 m)	2
FG100DN10-02000	Flexible Hose S08 (2 m)	2
FG100DN13-02000	Flexible Hose S10 (2 m)	2
FG100DN16-02000	Flexible Hose S12 (2 m)	2

Official Statement:

“KlimaKlamp® System (both kit and fittings) will work correctly only if used with its specific Hoses and Tools (already in the kit or proposed separately on this document)”.

Comunicazione Ufficiale:

“FlexinGroup srl garantisce il perfetto funzionamento del Sistema KlimaKlamp® (Kit e Raccordi a fascetta) solo se utilizzato con gli appositi Tubi in gomma ed Utensili già presenti nei Kit stessi o proposti separatamente in questo catalogo.”

KK-BOX-PRM-010

BOX KLIMAKLAMP® Tools and fittings (PREMIUM MAXI Version)

BOX KLIMAKLAMP® Utensili e raccordi (Versione PREMIUM MAXI)



Box Content Contenuto Box		
Code Codice	Description Descrizione	Q.ty (pc) Q.ta (pz)
P-CUT-000	ROLLER PIPE CUTTING TOOL	1
SBV-001	DEBURRING TOOL FOR PIPES	1
PLIERS-001-01	CLOSE PLIERS STANDARD (BASIC)	1
H-CUT-001	HOSE CUTTING TOOL -BASIC	1
SERV-KIT-000	SPARE PARTS KIT PROFESSIONAL	1
20M3600C0606	Fitting KlimaKlamp® straight - 06	4
20M3600C0808	Fitting KlimaKlamp® straight - 08	4
20M3600C1010	Fitting KlimaKlamp® straight - 10	4
20M3600C1210	Fitting KlimaKlamp® straight - 12	4
20M3640C0606	45° Elbow KlimaKlamp® Fitting - 06	2
20M3640C0808	45° Elbow KlimaKlamp® Fitting - 08	2
20M3640C1010	45° Elbow KlimaKlamp® Fitting - 10	2
20M3640C1210	45° Elbow KlimaKlamp® Fitting - 12	2
20M3690C0606	90° Elbow KlimaKlamp® Fitting - 06	3
20M3690C0808	90° Elbow KlimaKlamp® Fitting - 08	3
20M3690C1010	90° Elbow KlimaKlamp® Fitting - 10	4
20M3690C1210	90° Elbow KlimaKlamp® Fitting - 12	4
FG100DN08-10000	Flexible Hose S06 (10 m)	1
FG100DN10-10000	Flexible Hose S08 (10 m)	1
FG100DN13-10000	Flexible Hose S10 (10 m)	1
FG100DN16-10000	Flexible Hose S12 (10 m)	1

Official Statement:

“KlimaKlamp® System (both kit and fittings) will work correctly only if used with its specific Hoses and Tools (already in the kit or proposed separately on this document)”.

Comunicazione Ufficiale:

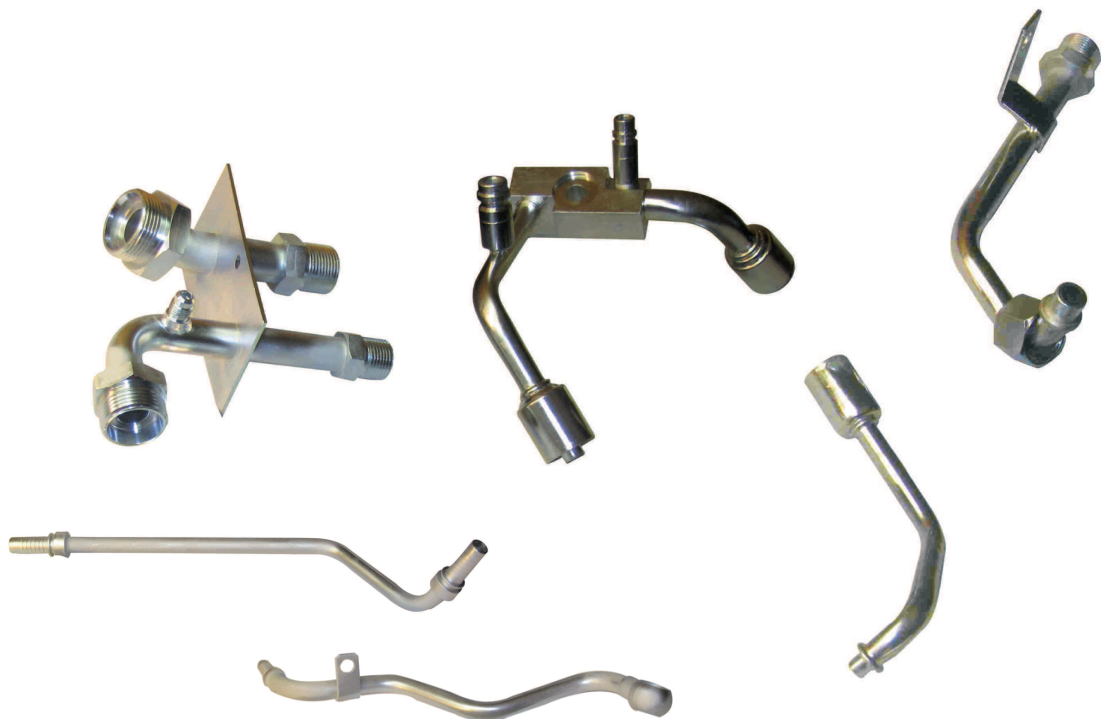
“FlexinGroup srl garantisce il perfetto funzionamento del Sistema KlimaKlamp® (Kit e Raccordi a fascetta) solo se utilizzato con gli appositi Tubi in gomma ed Utensili già presenti nei Kit stessi o proposti separatamente in questo catalogo.”

SPECIAL FITTINGS

RACCORDI SPECIALI

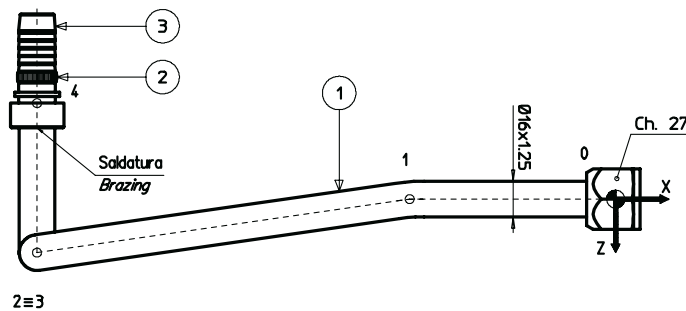
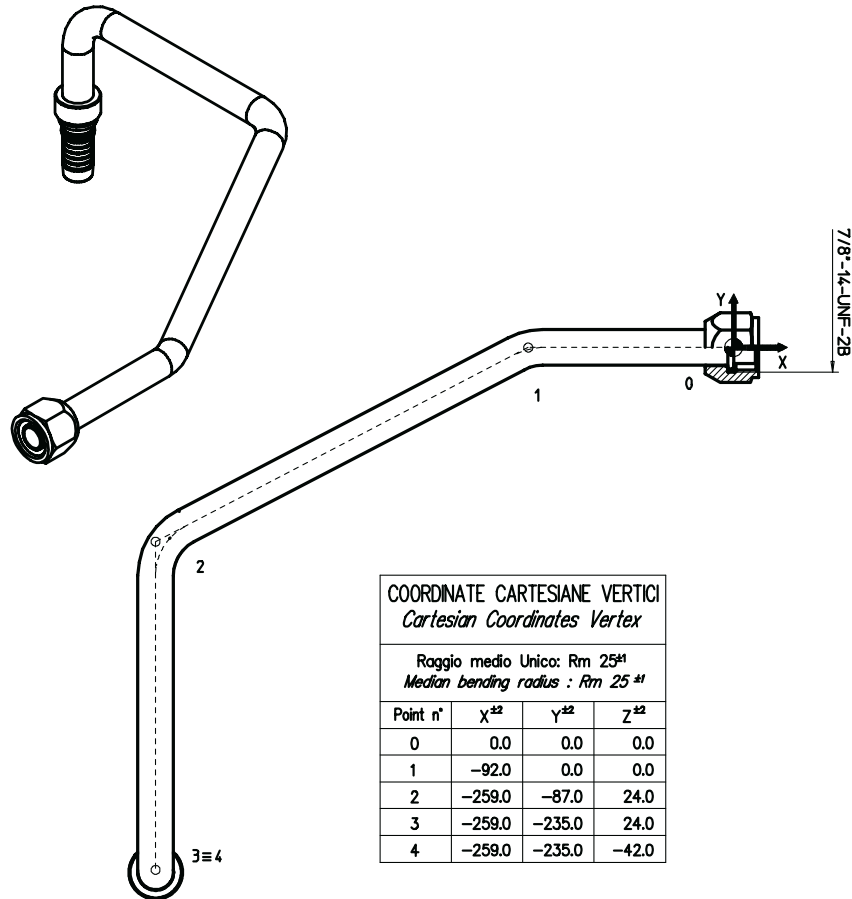
Manipulated and customized Fittings

Raccordi speciali a disegno



Flexin® carries out customized manipulated fittings up on specific request based on customer's wished delivery batches and on few samples as well.

Flexin® realizza raccordi sagomati a disegno su richiesta specifica del cliente nei lotti desiderati anche per pochi campioni.



AIR CONDITIONING HOSES

TUBI FLESSIBILI PER ARIA CONDIZIONATA



Flexin[®] Fittings “Series 10” e “Series 11” can be assembled on different flexible hoses (Type “A” & Type “C”) of major manufacturers. Upon request Flexin[®] provides climatic chamber tests and certifications to guarantee our products according to SAE International norms.

I raccordi Flexin[®] “Serie 10” e “Serie 11” possono essere montati su diversi tubi flessibili (tipo “A” e tipo “C”) dei principali produttori. Su richiesta, Flexin[®] fornisce test in camera climatica e certificazioni per garantire i nostri prodotti secondo le norme SAE International.

FG100 HOSE
 Exceeds SAE J3062TYPE E
 Exceeds SAE J2064 TYPE E (assembled)

SPECIFIC HOSE FOR AIR CONDITIONING AND REFRIGERATION SYSTEMS



SPECIAL FEATURES

- * Very low minimum bending radius
- * Low noise transmission
- * Low permeability
- * High flexibility
- * Good performances in:
 - vacuum resistance
 - ageing resistance
 - kinking resistance
 - adhesion rate between layers

KEY PERFORMANCES

- * One piece field attachable solution available with Frigoflex® fittings:
 - "2x---C---" up to 35 bar
 - "2x---H---" and "2x---F---" up to 45 bar
- * Advantage in assembling with Frigoflex® fittings
- * Easy installation in constrictive space

TECHNICAL DATA

MAX WORKING PRESSURE: **45 bar (4.5 Mpa); 653 PSI**

BURST PRESSURE: **>200 bar (>20 MPa); >2,900 PSI**

WORKING TEMPERATURE: **-40°C to 125°C; -40°F to 257°F**

PEAK TEMPERATURE: **135°C; 275°F**

MOISTURE INGRESSION: **SAE J2064 Class II**

REFRIGERANTS: **R134a, R404A, R407C, R410a, R1234yf, R452 A**

LUBRICANTS: **PAG, POE**

DASH #	SIZE		INSIDE NOMINAL DIAMETER		OUTSIDE NOMINAL DIAMETER		WEIGHT		MIN BENDING RADIUS		PERMEABILITY	
	mm	in	mm	in	mm	in	g/m	lbs/ft	mm	in	kg/m ² /yr	lbs/ft ² /yr
06	8	5/16"	8.0 ±0.3	.315 ±0.12	14.5 ±0.3	.571 ±0.12	136	.091	35	1.38	< 0.7	<.143
08	10	13/32"	10.0 ±0.3	.394 ±0.12	16.5 ±0.4	.650 ±0.16	154	.103	40	1.57	< 0.7	<.143
10	13	1/2"	13.0 ±0.3	.512 ±0.12	20.7 ^{+0.7} _{-0.3}	.815 ^{+0.028} _{-0.12}	249	.167	50	1.97	< 0.8	<.164
12	16	5/8"	16.0 ±0.3	.630 ±0.12	23.9 ^{+0.7} _{-0.3}	.941 ^{+0.028} _{-0.12}	293	.197	60	2.36	< 0.8	<.164

FG300 HOSE

Exceeds SAE J3062TYPE E
Exceeds SAE J2064 TYPE E (assembled)

SPECIFIC HOSE FOR AIR CONDITIONING AND REFRIGERATION SYSTEMS



SPECIAL FEATURES

- * Very low minimum bending radius
- * High temperature resistant
- * Low noise transmission
- * Low permeability
- * High flexibility
- * Good performances in:
 - vacuum resistance
 - ageing resistance
 - kinking resistance
 - adhesion rate between layers

KEY PERFORMANCES

- * One piece field attachable solution available with Frigoflex® fittings:
 - "2x---C---" up to 35 bar
 - "2x---H---" and "2x---F---" up to 45 bar
- * Advantage in assembling with Frigoflex® fittings
- * Easy installation in constrictive space

TECHNICAL DATA

MAX WORKING PRESSURE: **45 bar (4.5 Mpa); 653 PSI**

BURST PRESSURE: **>200 bar (>20 MPa)*; >2,900 PSI***

WORKING TEMPERATURE: **-35°C to 140°C; -31°F to 284°F**

PEAK TEMPERATURE: **160°C; 320°F**

MOISTURE INGRESSION: **SAE J2064 Class II**

REFRIGERANTS: **R134a, R404A, R407C, R410a, R1234yf, R452 A**

LUBRICANTS: **PAG, POE**

DASH #	SIZE		INSIDE NOMINAL DIAMETER		OUTSIDE NOMINAL DIAMETER		WEIGHT		MIN BENDING RADIUS		PERMEABILITY	
	mm	in	mm	in	mm	in	g/m	lbs/ft	mm	in	kg/m ² /yr	lbs/ft ² /yr
06	8	5/16"	8.0 ±0.3	.315 ±0.12	14.5 ±0.4	.571 ±0.16	140	.094	40	1.57	< 0.5	<.102
08	10	13/32"	10.0 ±0.3	.394 ±0.12	16.5 ±0.4	.650 ±0.16	158	.106	55	2.17	< 0.6	<.123
10	13	1/2"	13.0 ±0.3	.512 ±0.12	20.9 ±0.5	.823 ±0.20	255	.171	60	2.36	< 0.7	<.143
12	16	5/8"	16.0 ±0.3	.630 ±0.12	24.1 ±0.5	.949 ±0.20	298	.200	80	3.15	< 0.8	<.164
14	19	3/4"	19.0 ±0.4	.748 ±0.16	28.0 ±0.5	1.102 ±0.20	498	.335	115	4.53	< 0.9	<.184
18	25	1"	25.0 ±0.4	.984 ±0.16	35.0 ±0.5	1.378 ±0.20	595	.400	140	5.51	< 1.0	<.205

* DASH 18-DN25-1": BURST PRESSURE >180 bar; >2,610 PSI * DASH 18-DN25-1": PRESIÓN DE ROTURA >180 bar; >2,610 PSI

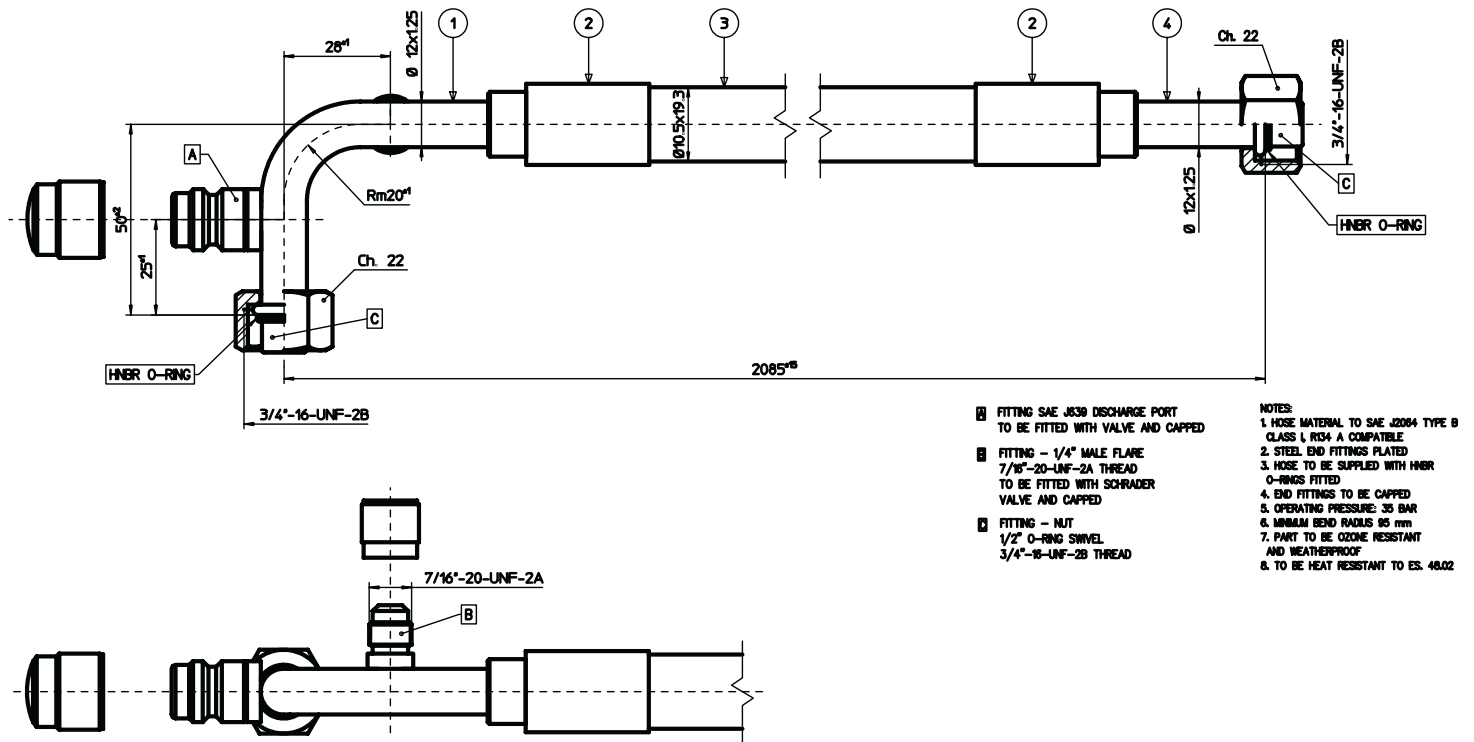
HOSE ASSEMBLIES

TUBI ASSEMBLATI



Flexin® is also manufacturer of hose assemblies to provide a complete products range and become a real partner.

Flexin® può proporre ai propri clienti anche la fornitura completa di assemblati a disegno.



TOOLS

UTENSILI



Pliers for Frigoflex[®] and KlimaKlamp[®]

(Clamp Solution)

Pinze per Frigoflex[®] e KlimaKlamp[®]

(Soluzione a fascetta)



PLIERS-001



PLIERS-002-01



PLIERS-003-01

	2X...C....	2X...H....
Hose size	Working pressure up to 35 Bar	Working pressure up to 45 Bar
Size tubo	Pressione di esercizio fino a 35 Bar	Pressione di esercizio fino a 45 Bar
06-5/16"	PLIERS-001 PLIERS-002-01	PLIERS-002-01
08-13/32"	PLIERS-001 PLIERS-002-01	PLIERS-002-01
10-1/2"	PLIERS-001 PLIERS-002-01	PLIERS-002-01
12-5/8"	PLIERS-001 PLIERS-002-01	PLIERS-002-01
14-3/4"	PLIERS-002-01	PLIERS-002-01
18-1"	PLIERS-003-01	PLIERS-003-01

Hose and pipe cutters

Taglierine per tubi in gomma e metallo



H-CUT-000

for rubber hoses on serial applications
taglio tubi in gomma su produzione di serie



H-CUT-001

for rubber hoses on A/C MRO
taglio tubi in gomma per riparazioni



P-CUT-000

for metal pipe cutting
taglio tubi in metallo

COMPONENTS AND ACCESSORIES

COMPONENTI ED ACCESSORI



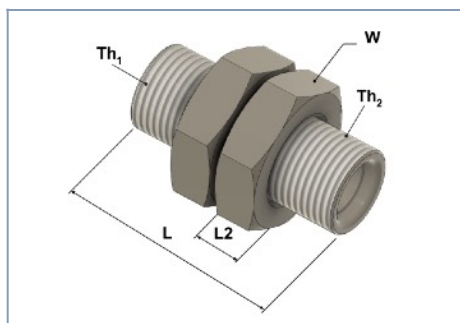
Bulkhead adaptors

Adattatori passaparete

C3N3300

STRAIGHT BULKHEAD ADAPTOR WITH SWIVEL COUNTER NUTS

ADATTATORE DRITTO PASSAPARETE CON CONTRODADI LIBERI

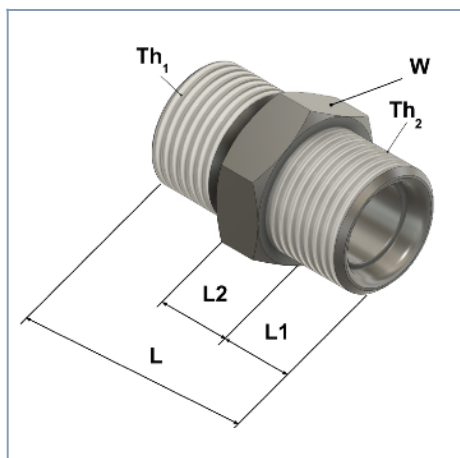


Code <i>Codice</i>	Threading 1 <i>Filettatura 1</i>	Threading 2 <i>Filettatura 2</i>	L±2	L2±1	W
C3N3300-0606	06-5/8"-18-UNF-2B	06-5/8"-18-UNF-2B	50	7	24
C3N3300-0808	08-3/4"-16-UNF-2B	08-3/4"-16-UNF-2B	50	5	29
C3N3300-1010	10-7/8"-14-UNF-2B	10-7/8"-14-UNF-2B	50	7	29
C3N3300-121266	1.1/16"-14-UNS-2A	1.1/16"-14-UNS-2A	66	8	30
CN3300-1616	1.5/16"-14-UNS-2A	1.5/16"-14-UNS-2A	55	10	41

C3N3300...BRZ1

STRAIGHT BULKHEAD ADAPTOR WITH FIXED COUNTER NUT

ADATTATORE DRITTO PASSAPARETE CON CONTRODADO FISSO

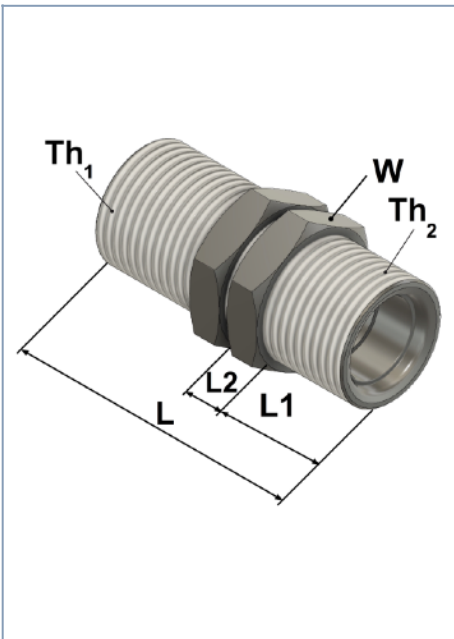


Code <i>Codice</i>	Threading 1 <i>Filettatura 1</i>	Threading 2 <i>Filettatura 2</i>	L±2	L1±2	L2±1	W
C3N3300-0606BRZ1	06-5/8"-18-UNF-2B	06-5/8"-18-UNF-2B	50	16	7	24
C3N3300-060630BRZ1	06-5/8"-18-UNF-2B	06-5/8"-18-UNF-2B	30.5	12.2	6.1	19
C3N3300-0808BRZ1	08-3/4"-16-UNF-2B	08-3/4"-16-UNF-2B	50	18	5	29
C3N3300-080836BRZ1	08-3/4"-16-UNF-2B	08-3/4"-16-UNF-2B	36	13.9	7.9	22
C3N3300-1010BRZ1	10-7/8"-14-UNF-2B	10-7/8"-14-UNF-2B	50	17	7	29
C3N3300-101045BRZ1	10-7/8"-14-UNF-2B	10-7/8"-14-UNF-2B	45	17.8	9.4	27
C3N3300-1212BRZ1	1.1/16"-14-UNS-2A	1.1/16"-14-UNS-2A	50.2	21.1	8	30
C3N3300-1616BRZ1	1.5/16"-14-UNS-2A	1.5/16"-14-UNS-2A	55	22.5	10	41

C3N3300...BRZ2

STRAIGHT BULKHEAD ADAPTOR WITH 1 SWIVEL COUNTER NUT AND 1 FIXED COUNTER NUT

ADATTATORE DRITTO PASSAPARETE CON 1 CONTR. FISSO E UNO LIBERO

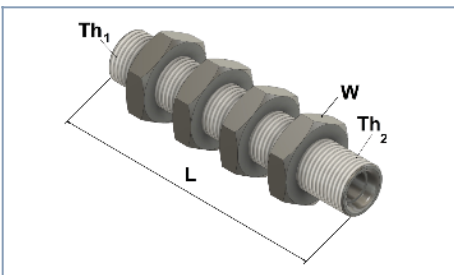


Code <i>Codice</i>	Threading 1 <i>Filettatura 1</i>	Threading 2 <i>Filettatura 2</i>	L±2	L1±2	L2±1	W
C3N3300-0606BRZ2	06-5/8"-18-UNF-2B	06-5/8"-18-UNF-2B	50	16	7	24
C3N3300-060657BRZ2	06-5/8"-18-UNF-2B	06-5/8"-18-UNF-2B	57	16	7	24
C3N3300-060671BRZ2	06-5/8"-18-UNF-2B	06-5/8"-18-UNF-2B	71	16	7	24
C3N3300-0808BRZ2	08-3/4"-16-UNF-2B	08-3/4"-16-UNF-2B	50	18	5	29
C3N3300-080861BRZ2	08-3/4"-16-UNF-2B	08-3/4"-16-UNF-2B	61	18	5	29
C3N3300-080875BRZ2	08-3/4"-16-UNF-2B	08-3/4"-16-UNF-2B	75	18	5	29
C3N3300-1010BRZ2	10-7/8"-14-UNF-2B	10-7/8"-14-UNF-2B	50	17	7	29
C3N3300-101070BRZ2	10-7/8"-14-UNF-2B	10-7/8"-14-UNF-2B	70	17	7	29
C3N3300-101084BRZ2	10-7/8"-14-UNF-2B	10-7/8"-14-UNF-2B	84	17	7	29
C3N3300-121266BRZ2	1.1/16"-14-UNS-2A	1.1/16"-14-UNS-2A	66	21	8	30
C3N3300-121276BRZ2	1.1/16"-14-UNS-2A	1.1/16"-14-UNS-2A	76	21	8	30
C3N3300-121290BRZ2	1.1/16"-14-UNS-2A	1.1/16"-14-UNS-2A	90	21	8	30

C3N3300...L90

STRAIGHT BULKHEAD ADAPTOR WITH SWIVEL COUNTER NUTS

ADATTATORE DRITTO PASSAPARETE CON CONTRODADI LIBERI



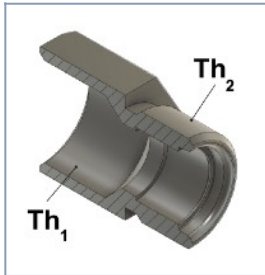
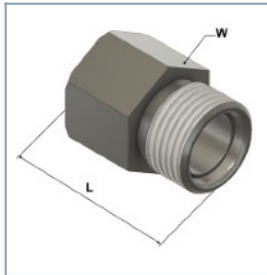
Code <i>Codice</i>	Threading 1 <i>Filettatura 1</i>	Threading 2 <i>Filettatura 2</i>	L±2	W
C3N3300-0606L90	06-5/8"-18-UNF-2B	06-5/8"-18-UNF-2B	90	24
C3N3300-0808L90	08-3/4"-16-UNF-2B	08-3/4"-16-UNF-2B	90	29
C3N3300-1010L90	10-7/8"-14-UNF-2B	10-7/8"-14-UNF-2B	90	29
C3N3300-1212L90	1.1/16"-14-UNS-2A	1.1/16"-14-UNS-2A	90	30

Adaptors

Adattatori

C3N4100

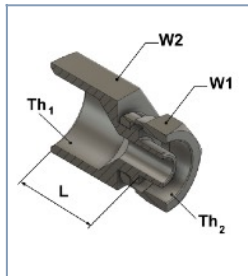
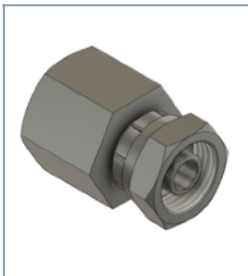
ADAPTOR
ADATTATORE



Code <i>Codice</i>	Threading 1 <i>Filettatura 1</i>	Threading 2 <i>Filettatura 2</i>	L ± 2	W
C3N4100-0606	06-5/8"-18-UNF-2B	06-5/8"-18-UNF-2B	34	19
C3N4100-0608	06-5/8"-18-UNF-2B	08-3/4"-16-UNF-2B	34	22
C3N4100-0808	08-3/4"-16-UNF-2B	08-3/4"-16-UNF-2B	34	22
C3N4100-1010	10-7/8"-14-UNF-2B	10-7/8"-14-UNF-2B	35	25

A1N4100

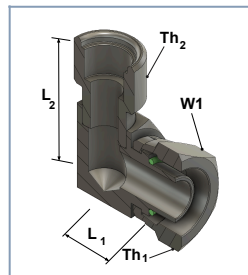
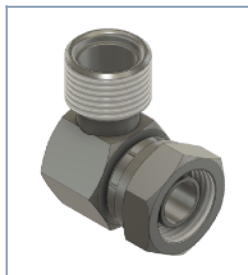
ADAPTOR
ADATTATORE



Code <i>Codice</i>	Threading 1 <i>Filettatura 1</i>	Threading 2 <i>Filettatura 2</i>	L ± 2	W ₁	W ₂
A1N4100-0608	06-5/8"-18-UNF-2B	08-3/4"-16-UNF-2B	24.9	19	22

A1K3390

ADAPTOR
ADATTATORE



Code <i>Codice</i>	Threading 1 <i>Filettatura 1</i>	Threading 2 <i>Filettatura 2</i>	L ₁ $\pm 2,5$	L ₂ $\pm 2,5$	W ₁
A1K3390-0606	06-5/8"-18-UNF-2B	06-5/8"-18-UNF-2A	12.9	21.7	19
A1K3390-0808	08-3/4"-16-UNF-2B	08-3/4"-16-UNF-2A	16	32	22
A1K3390-1010	10-7/8"-14-UNF-2B	10-7/8"-14-UNF-2A	16.35	34.5	27
A1K3390-1212	1.1/16"-14-UNS-2B	1.1/16"-14-UNS-2A	38.85	46.8	29

ADAPTOR supplied in zinc plated carbon steel only
ADATTATORE forniti solo in ferro zincato

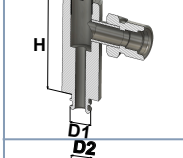
		Code <i>Codice</i>	Description <i>Descrizione</i>	D1	D2	I ±0.3	Threading <i>Filettatura</i>
		C1C3300-0808	For compressor DELPHI SP10	11.71	8.25	19	08-3/4"-16-UNF-2B
		C1C3300-1010	<i>Per compressore DELPHI SP10</i>	14.48	8.25	19	10-7/8"-14-UNF-2B
		F1C3300-0808-003	For compressor SANDEN VOLVO	14.5	8.5	22.5	08-3/4"-16-UNF-2B
		F1C3300-1010-003	<i>Per compressore SANDEN VOLVO</i>	17.53	8.5	22.5	10-7/8"-14-UNF-2B
		ADP-08-001	For compressor SANDEN SD7B10 - SD7H15	11.71	8.25	20	08-3/4"-16-UNF-2B
		ADP-10-001	<i>Per compressore SANDEN SD7B10 - SD7H15</i>	14.34	8.25	20	10-7/8"-14-UNF-2B
		ADP-06-002	For compressor DENSO (swivel plate) <i>Per compressore DENSO (piastra libera)</i>	10.05	7	14.5	5/8"-18-UNF-2A
		ADP-08-002		15.4	7	19	08-3/4"-16-UNF-2B
		ADP-10-002		18.27	7	19	10-7/8"-14-UNF-2B
		ADP-06-003	For compressor DENSO (swivel plate) <i>Per compressore DENSO (piastra libera)</i>	10.05	7	14.5	5/8"-18-UNF-2A
		ADP-08-003		15.4	7	19	08-3/4"-16-UNF-2B
		ADP-10-003		18.27	7	19	10-7/8"-14-UNF-2B
		ADP-06-004	For compressor DENSO (fixed plate) <i>Per compressore DENSO (piastra fissa)</i>	10.05	7	14.5	5/8"-18-UNF-2A
		ADP-08-004		15.4	7	19	08-3/4"-16-UNF-2B
		ADP-10-004		18.27	7	19	10-7/8"-14-UNF-2B
		ADP-08-007	For compressor DENSO <i>Per compressore DENSO</i>	12.8	9	19	08-3/4"-16-UNF-2B
		ADP-10-007		15.65	9	19	10-7/8"-14-UNF-2B
		ADP-06-006	Female adaptor DENSO <i>Adattatore femmina DENSO</i>	10.15	M6	19	5/8"-18-UNF-2A
		ADP-10-006		18.3	M6	19	10-7/8"-14-UNF-2B
		ADP-06-005	Male O-Ring for Quick Coupling 5400#08 <i>Maschio O-Ring per innesto rapido 5400#08</i>	18	7.14	26.2	5/8"-18-UNF-2A - 7/8"-20-UNEF-2A
		ADP-08-005		18	9.5	37.2	08-3/4"-16-UNF-2B - 7/8"-20-UNEF-2A
		ADP-10-005		18	12.7	31.8	10-7/8"-14-UNF-2B - 7/8"-20-UNEF-2A

Splitters

Sdoppiatori

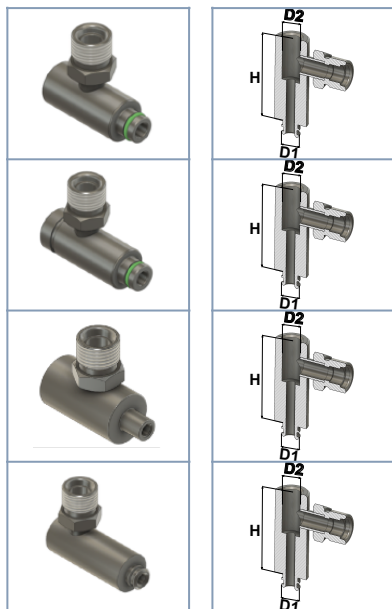
SPLITTERS

SDOPPIATORI

		Code	Hose size	D1	D2	H ±0.3	Description
		Codice	Size tubo				Descrizione
		00D1000-0600-001	06	10.95	11.05	37	M.B.SPRINTER 2016; VW CRAFTER 2016
		00D1000-0600-002	06	11.7	11.75	42	M.B.SPRINTER 2017; VW CRAFTER - MAN TGE 2018
		00D1000-0600-003	06	8.5	8.7	35	FORD TRANSIT 2014
		00D1000-0600-004	06	10.05	10.1	45	IVECO DAILY
		00D1000-1000-001	10	17.94	18	33.5	M.B.SPRINTER 2016; VW CRAFTER 2016
		00D1000-1000-002	10	17.94	18	38.5	M.B.SPRINTER 2017; VW CRAFTER - MAN TGE 2018
		00D1000-1000-003	10	17.5	17.7	35	FORD TRANSIT 2014
		00D1000-1000-004	10	18.2	18.3	45	IVECO DAILY

SPLITTERS KIT

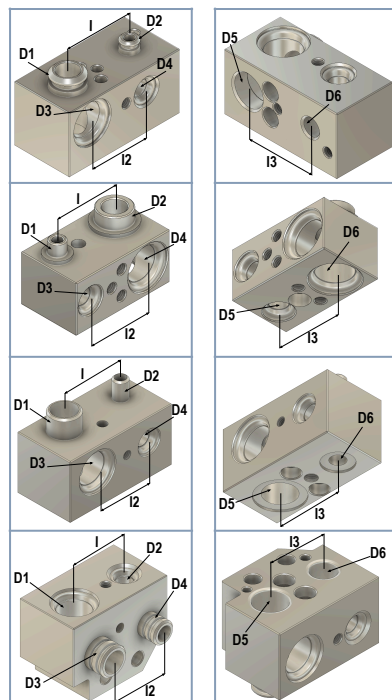
KIT SDOPPIATORI



Kit Code <i>Kit Codice</i>	Code <i>Codice</i>	Hose size <i>Size tubo</i>	D1	D2	H ±0.3	Description <i>Descrizione</i>
00D9000-0610-001	00D1000-0600-001	06	10.95	11.05	37	M.B.SPRINTER 2016; VW CRAFTER 2016
	00D1000-1000-001	10	17.94	18	33.5	
00D9000-0610-002	00D1000-0600-002	06	11.7	11.75	42	M.B.SPRINTER 2017; VW CRAFTER - MAN TGE 2018
	00D1000-1000-002	10	17.94	18	38.5	
00D9000-0610-003	00D1000-0600-003	06	8.5	8.7	35	FORD TRANSIT 2014
	00D1000-1000-003	10	17.5	17.7	35	
00D9000-0610-004	00D1000-0600-004	06	10.05	10.1	45	IVECO DAILY
	00D1000-1000-004	10	18.2	18.3	45	

SPLITTERS

SDOPPIATORI



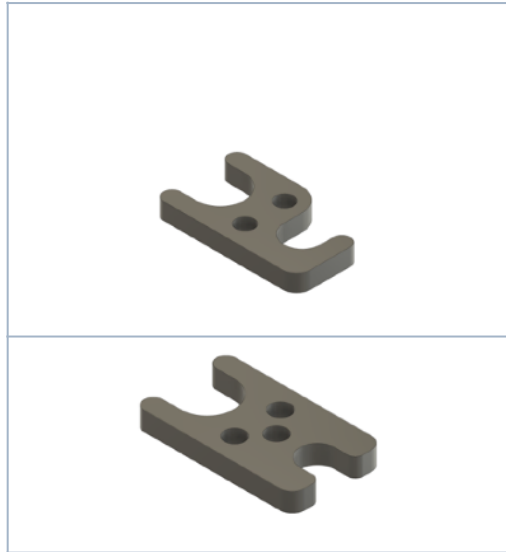
Code <i>Codice</i>	Hose size <i>Size tubo</i>	D1	D2	I1	D3	D4	I2	D5	D6	I3	Description <i>Descrizione</i>
A00D2000-0610-001	06/10	18.2	10.05	40	17.7	8.6	35.1	18.3	10.1	40	DUCATO X290; RENAULT MASTER; OPEL MOVANO; NISSAN INTERSTAR
A00D2000-0610-002	06/10	17.6	8.6	35.1	17.7	8.6	35.1	17.7	8.6	35.1	FIAT SCUDO
A00D2000-0610-003	06/10	17.5	8.5	38	17.7	8.6	35.1	17.7	8.6	38	FORD TRANSIT CUSTOM
A00D2000-0810-002	08/10	17.9	13.7	35.1	17.7	8.6	35.1	18	13.8	35.1	VW TRANSPORTER T5 E T6; VW CADDY

Plates

Piastrine

PLATES

PIASTRINE



Code	Description
<i>Codice</i>	<i>Descrizione</i>
PT060	Plate for fixing the fitting to the expansion valve. Threading of the holes M5
	<i>Piastrina con fori filettati M5 per fissaggio del raccordo alla valvola di espansione</i>
PT061	Plate for fixing the fitting to the expansion valve. Holes diameter $\varnothing 6$ (no threading)
	<i>Piastrina con fori $\varnothing 6$ per fissaggio del raccordo alla valvola di espansione</i>

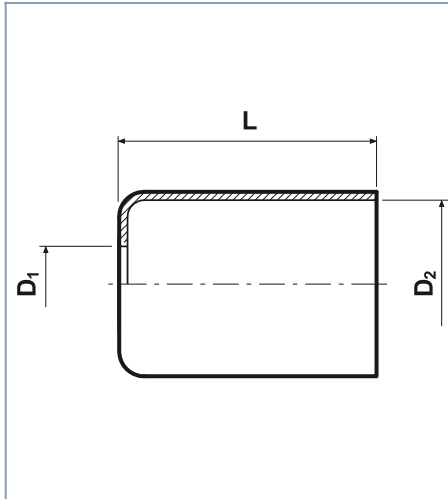
Carbon steel ferrules

Boccole in ferro

F0E - F1E

NORMAL SECTION AND REDUCED SECTION FERRULES

BOCCOLE SEZIONE NORMALE E SEZIONE RIDOTTA



Code <i>Codice</i>	Hose size <i>Size tubo</i>	L ± 0.3	D ₁ ^{-0+0,1}	D ₂ ^{-0+0,3}
F1E-06-NS	06-5/16" - Normal Section	30.7	10.3	20.0
F1E-08-NS	08-13/32" - Normal Section	34.2	12.3	23.8
F1E-10-NS	10-1/2" - Normal Section	34.7	16.3	26.4
F1E-12-NS	12-5/8" - Normal Section	36.0	16.3	29.4
F1E-06-RS1	06-5/16" - Reduced Section	30.7	10.3	15.5
F1E-08-RS1	08-13/32" - Reduced Section	34.2	12.3	18.1
F1E-10-RS1	10-1/2" - Reduced Section	34.7	16.3	20.2
F1E-12-RS1	12-5/8" - Reduced Section	36.0	16.3	24.4

Clamps

Fascette

CLAMP

FASCETTA

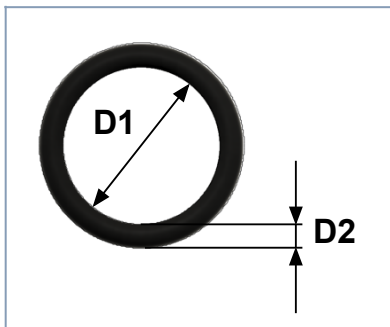


Code <i>Codice</i>	Hose size <i>Size tubo</i>	D / L <i>D / L</i>
CLP-06	06-5/16"	140/8
CLP-08	08-13/32"	150/8
CLP-10	10-1/2"	190/8
CLP-12	12-5/8"	220/8
CLP-14	14-3/4"	260/8
CLP-18	18-1"	315/10

Frigoflex® O-Rings

O-Rings Frigoflex®

Frigoflex® O-Ring
O-Ring Frigoflex®

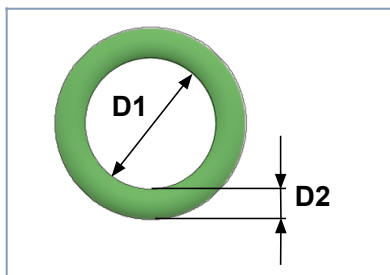


Code <i>Codice</i>	Hose size <i>Size tubo</i>	D ₁	D ₂
OR-FF-06	06-5/16"	5	1
OR-FF-08	08-13/32"	6.2	1.4
OR-FF-10	10-1/2"	8.2	1.6
OR-FF-12	12-5/8"	10.6	1.6
OR-FF-14	14-3/4"	14	1.78
OR-FF-18	18-1"	17.17	1.78

O-Rings

O-Rings

O-Ring
O-Ring



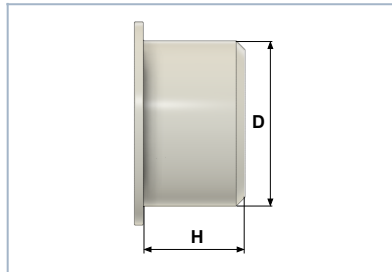
Code <i>Codice</i>	Hose size <i>Size tubo</i>	D ₁	D ₂
9001095	06-5/16"	7.65	1.78
9001097	08-13/32"	10.82	1.78
9001099	10-1/2"	14	1.78
9001103	12-5/8"	17.17	1.78

Caps

Tappi

CAPS

TAPPI



Code <i>Codice</i>	Hose size <i>Size tubo</i>	D	H
STP-22.5-R	06-5/16"	22.5	10.5
STP-25.5-R	08-13/32"	25.5	10.5
STP-31.5-R	10-1/2"	31.5	10.5
STP-36-R	12-5/8"	36	11

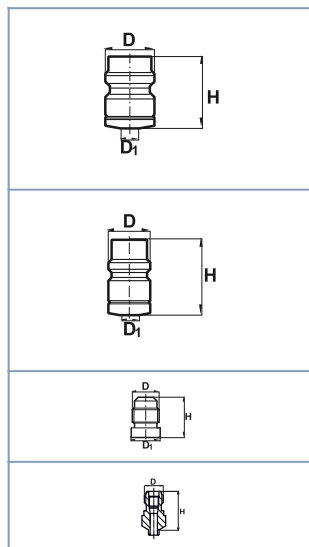
Valves

Valvole

V1T

VALVES

VALVOLE

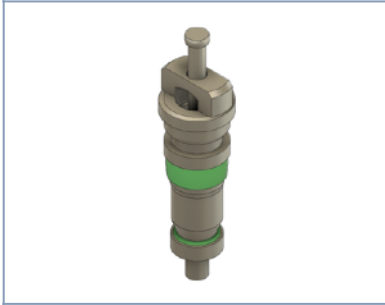


Code <i>Codice</i>	Description <i>Descrizione</i>	Gas type <i>Tipo di gas</i>	D ^{-0,2+0}	D ₁ ^{±0.1}	H ^{±1}
V1T-4 (9000980)	High Pressure valve <i>Valvola Alta Pressione</i>	Standard	16	6	23
V1T-8 (9000980-R1234)	High Pressure valve for Gas R1234yf <i>Valvola Alta Pressione per Gas R1234yf</i>	R1234yf	17	6	26.5
V1T-5 (9000981)	Low Pressure valve <i>Valvola Bassa Pressione</i>	Standard	13	6	23
V1T-9 (9000981-R1234)	Low Pressure valve for Gas R1234yf <i>Valvola Bassa Pressione per Gas R1234yf</i>	R1234yf	14	6	24.5
V1T-6 (9000984)	Charge valve <i>Valvola di carica</i>	Standard	7/16"-20-UNF-2A	6	16.7
V1T-7 (2007937)	Charge valve <i>Valvola di carica</i>	Standard	M10x1.25	6	20.4

Core valves

Meccanismi valvola

CORE VALVES MECCANISMI VALVOLA



Code <i>Codice</i>	Gas type <i>Tipo di gas</i>
9001188	Standard
9001188-R1234	R1234yf

Valve caps

Tappi valvola

VALVE CAPS TAPPI VALVOLA



Code <i>Codice</i>	Type of Valve <i>Tipo di valvola</i>	Description <i>Descrizione</i>
9001186	V1T-4 (9000980)	Cap for High Pressure valve <i>Tappo valvola Alta Pressione</i>
9001186-R1234	V1T-8 (9000980-R1234)	Cap for High Pressure valve for Gas R1234yf <i>Tappo valvola Alta Pressione per Gas R1234yf</i>
9001187	V1T-5 (9000981)	Cap for Low Pressure valve <i>Tappo valvola Bassa Pressione</i>
9001186-R1234	V1T-9 (9000980-R1234)	Cap for Low Pressure valve for Gas R1234yf <i>Tappo valvola Bassa Pressione per Gas R1234yf</i>
9001210	V1T-6 (9000984) 7/16"-20-UNF-2A	Cap for charge valve <i>Tappo valvola di carica</i>
2006665	V1T-7 (2007937) M10x1.25	Cap for charge valve <i>Tappo valvola di carica</i>

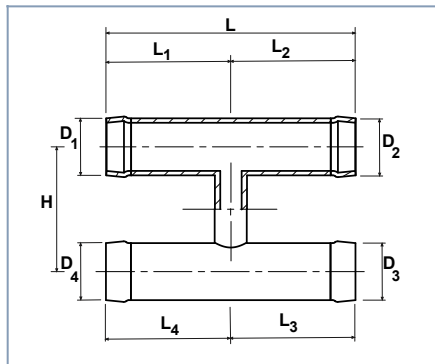
Water Cooling System Fittings

Raccordi per circuito di raffreddamento ad acqua

I9J99H0

“H” CONNECTION FOR WATER PILOTS

CONGIUNZIONE AD “H” PER PILOTI ACQUA

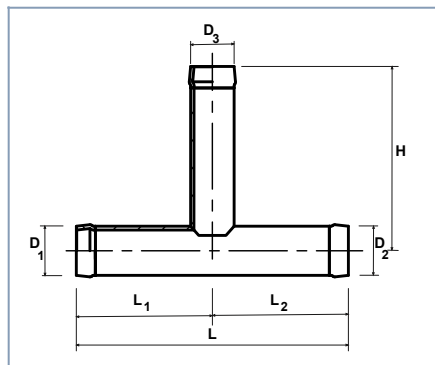


Code Codice	L \pm 2,5	L $_1\pm$ 2,5	L $_2\pm$ 2,5	L $_3\pm$ 2,5	L $_4\pm$ 2,5	H \pm 2,5	D $_1$	D $_2$	D $_3$	D $_4$
I9J99H0-16161616	70	35	35	35	35	35	16	16	16	16

I9J99T0

“T” CONNECTION FOR WATER PILOTS

CONGIUNZIONE A “T” PER PILOTI ACQUA

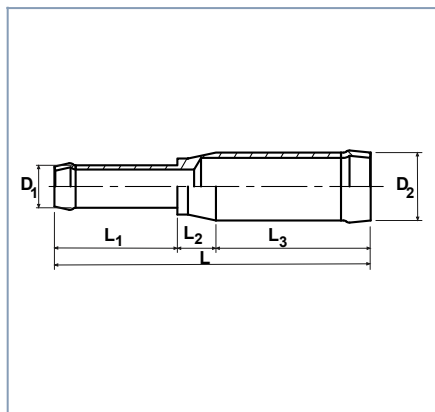


Code Codice	L \pm 2,5	L $_1\pm$ 2,5	L $_2\pm$ 2,5	H \pm 2,5	D $_1$	D $_2$	D $_3$
I9J99T0-101616	75.5	20	14.5	36	10	16	16
I9J99T0-161616	100	50	50	60	16	16	16
I9J99T0-222216	100	50	50	60	22	22	16

I9J9900

STRAIGHT CONNECTION FOR WATER PILOTS

CONGIUNZIONE DRITTA PER PILOTI ACQUA

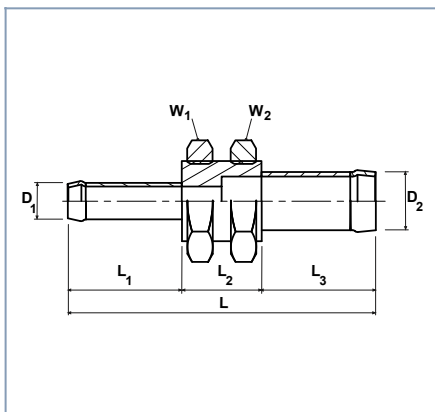


Code Codice	L \pm 2,5	L $_1\pm$ 2,5	L $_2\pm$ 2,5	L $_3\pm$ 2,5	D $_1$	D $_2$
I9J9900-1016	72.6	29	9.1	34.5	10	16
I9J9900-1212	44	-	-	-	12	12
I9J9900-1616	100	-	-	-	16	16
AI9J9900-1620	45	21	2	22	16	20
I9J9900-1818	93	-	-	-	18	18

A - Standart material: aluminium.
A - Materiale standart: alluminio.

STRAIGHT CONNECTION FOR WATER PILOTS WITH COUNTER NUT BULKHEAD
CONGIUNZIONE DRITTA PER PILOTI ACQUA CON CONTRODADO PASSA PARETE

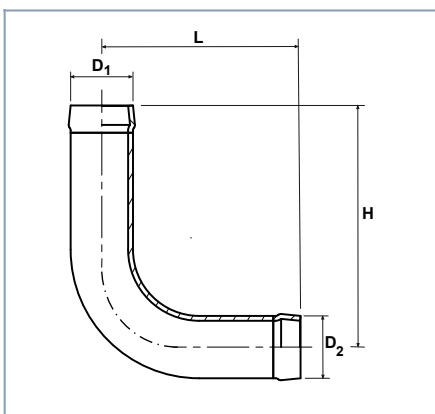
I9J9900...EA1



Code Codice	L \pm 2,5	L $_1$ \pm 2,5	L $_2$ \pm 2,5	L $_3$ \pm 2,5	D $_1$	D $_2$	W $_1$	W $_2$
I9J9900-1016EA1	85	31.5	22	31.5	10	16	29	29

I9J9990

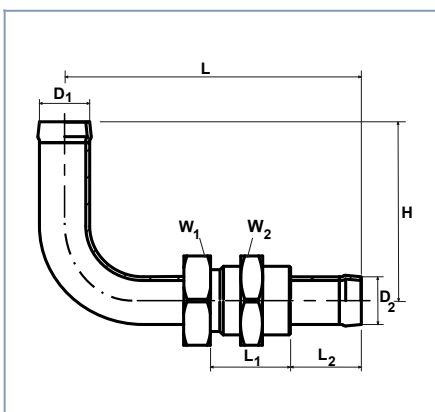
90° ELBOW CONNECTION FOR WATER PILOTS
CONGIUNZIONE CURVA A 90° PER PILOTI ACQUA



Code Codice	L \pm 2,5	H \pm 2,5	D $_1$	D $_2$
I9J9990-1616	51	62	16	16

I9J9990...EA2

90° ELBOW CONNECTION FOR WATER PILOTS WITH COUNTER NUT BULKHEAD
CONGIUNZIONE CURVA A 90° PER PILOTI ACQUA CON CONTRODADO PASSA PARETE



Code Codice	L \pm 2,5	L $_1$ \pm 2,5	L $_2$ \pm 2,5	H \pm 2,5	D $_1$	D $_2$	W $_1$	W $_2$
I9J9990-1616EA2	94.5	25.5	22.5	0	16	16	29	29

Protection plastic spiral

Spiraline



Code <i>Codice</i>	Description <i>Descrizione</i>	Material <i>Materiale</i>
HPR-00-C11620PV	Protection Spiral 16x20	PVC
	<i>Spiralina nera 16x20</i>	
HPR-00-C12025PV	Protection Spiral 20x25	PVC
	<i>Spiralina nera 20x25</i>	
HPR-00-C12732PV	Protection Spiral 27x32	PVC
	<i>Spiralina nera 27x32</i>	

Sheaths/Insulations

Guaine/Isolamenti



Code <i>Codice</i>	Description <i>Descrizione</i>
HCR-00-C21022	Armafex 10x6
HCR-00-C21830	Armafex 18x6
HCR-00-C22234	Armafex 22x6
HCR-00-C22840	Armafex 28x6



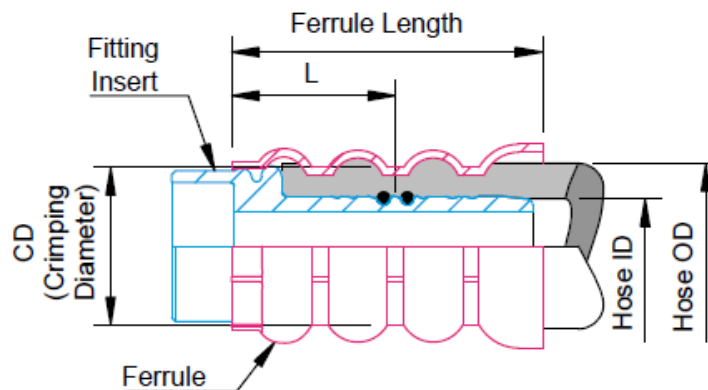
Code <i>Codice</i>	Description <i>Descrizione</i>
WESTDI26L	Westaflex DI 26 Light
WESTDI29L	Westaflex DI 29 Light

SWAGING CHART

TABELLA DI CRIMPATURA

Frigoflex® one piece crimp fitting with carbon steel ferrule REDUCED SECTION

Raccordi one piece Frigoflex® con boccia in acciaio al carbonio a SEZIONE RIDOTTA

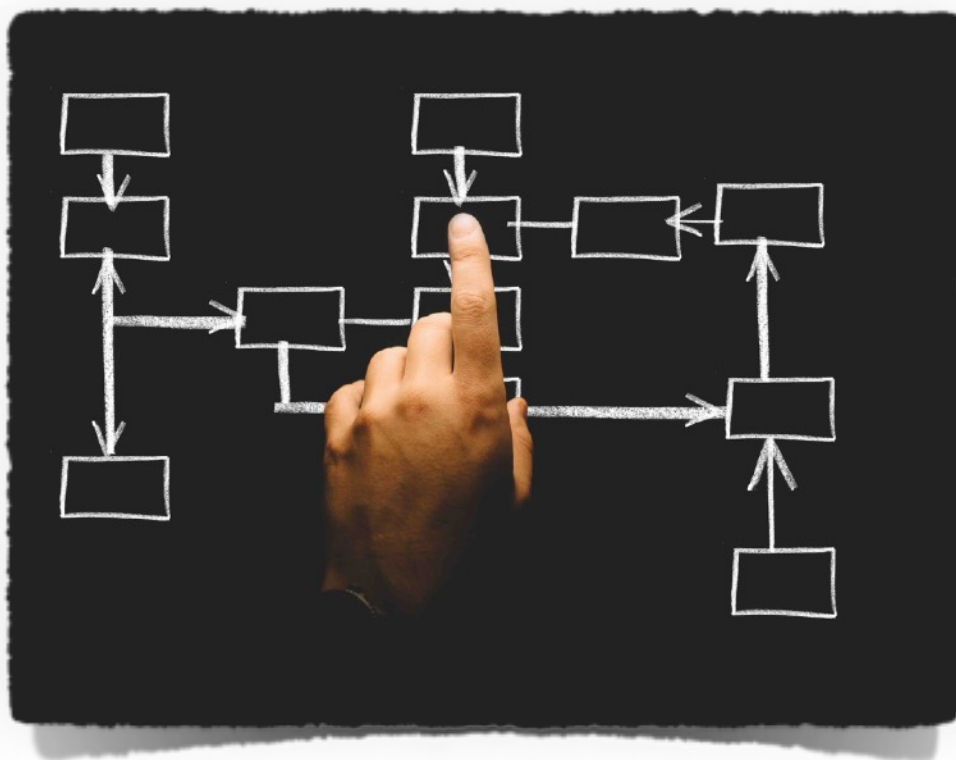


HOSE FG100/FG300 + Fitting Frigoflex® 20 series										
DASH	FITTING FAMILY	INCH	DN (mm)	HOSE ID		HOSE OD		HOSE STRETCH For each crimping (mm)	L (± 1 mm)	CD (± 0,2 mm)
				min (mm)	max (mm)	min (mm)	max (mm)			
06	20xxxxxFxxxx	5/16"	8	7.7	8.3	14.2	14.8	3	17.7	14.0
08	20xxxxxFxxxx	13/32"	10	9.7	10.3	16.1	16.9	3	20.2	15.8
10	20xxxxxFxxxx	1/2"	13	12.7	13.3	20.4	21.4	5	20.5	19.7
12	20xxxxxFxxxx	5/8"	16	15.7	16.3	23.6	24.6	6	20.5	22.6
14	20xxxxxFxxxx	3/4"	19	18.6	19.4	27.5	28.5	3	24.7	26.4
18	20xxxxxFxxxx	1"	25	24.6	25.4	34.5	35.5	4	29.7	33.0

Swaging chart "2x" - Rev.03 - 05/10/2018

ASSEMBLING INSTRUCTIONS

ISTRUZIONI DI MONTAGGIO



Frigoflex®

👉 Frigoflex® Tutorial

1



FG100/300-DN.....-size....

Hose size and fitting size must be the same.



H-CUT-000



PLIERS-001



PLIERS-002-01



PLIERS-003-01

	2X...C....	2X...H....
Hose size	Working pressure up to 35 Bar	Working pressure up to 45 Bar
Size tubo	Pressione di esercizio fino a 35 Bar	Pressione di esercizio fino a 45 Bar
06-5/16"	<p>PLIERS-001</p> <p>PLIERS-002-01</p>	<p>PLIERS-002-01</p>
08-13/32"	<p>PLIERS-001</p> <p>PLIERS-002-01</p>	<p>PLIERS-002-01</p>
10-1/2"	<p>PLIERS-001</p> <p>PLIERS-002-01</p>	<p>PLIERS-002-01</p>
12-5/8"	<p>PLIERS-001</p> <p>PLIERS-002-01</p>	<p>PLIERS-002-01</p>
14-3/4"	<p>PLIERS-002-01</p>	<p>PLIERS-002-01</p>
18-1"	<p>PLIERS-003-01</p>	<p>PLIERS-003-01</p>

2

Cut the hose at proper length. A perpendicular cut is preferential but not mandatory.

3



Lubricate the end of the fitting with the same oil used in system.

4

Align the Clamps as shown in picture.



CORRECT ✓

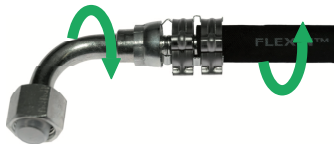


NOT CORRECT ✗

Clamp Holder

5

The insertion of the fitting into the hose must be done by rotation and not by axial push.



CORRECT ✓



NOT CORRECT ✗

6

Insert the hose till covered by cage.



CORRECT ✓



NOT CORRECT ✗

7



Clips must be closed aligned as shown and with the correct sequence



First to be closed

Second to be closed



CORRECT ✓

NOT CORRECT ✗

Disassembling instructions

Solution 1



Insert the screwdriver with flat edge into the clamp teeth and turn.

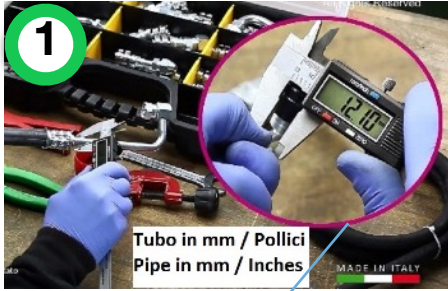
Solution 2



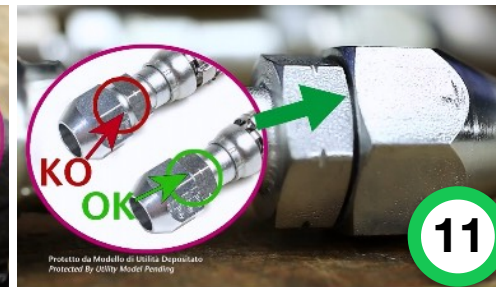
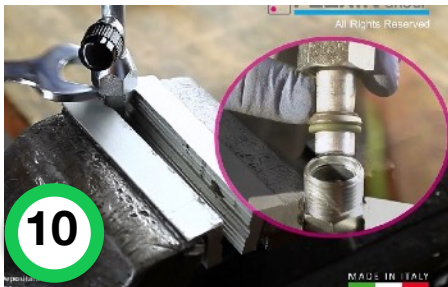
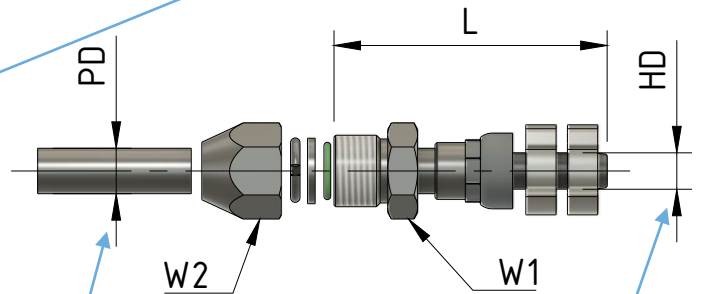
The round nose of the pliers must be positioned at the end with the hooked tooth and the thin nose at the hooked shaped end of the clamp. Then close to open the clamps.

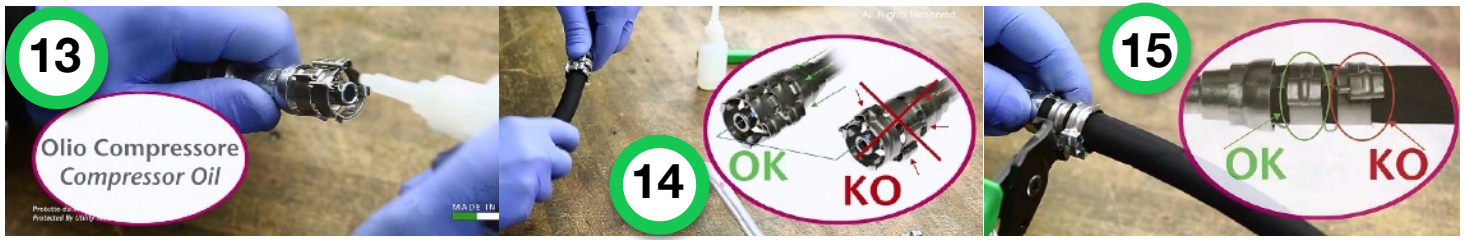
KlimaKlamp®

👉 KlimaKlamp® Tutorial

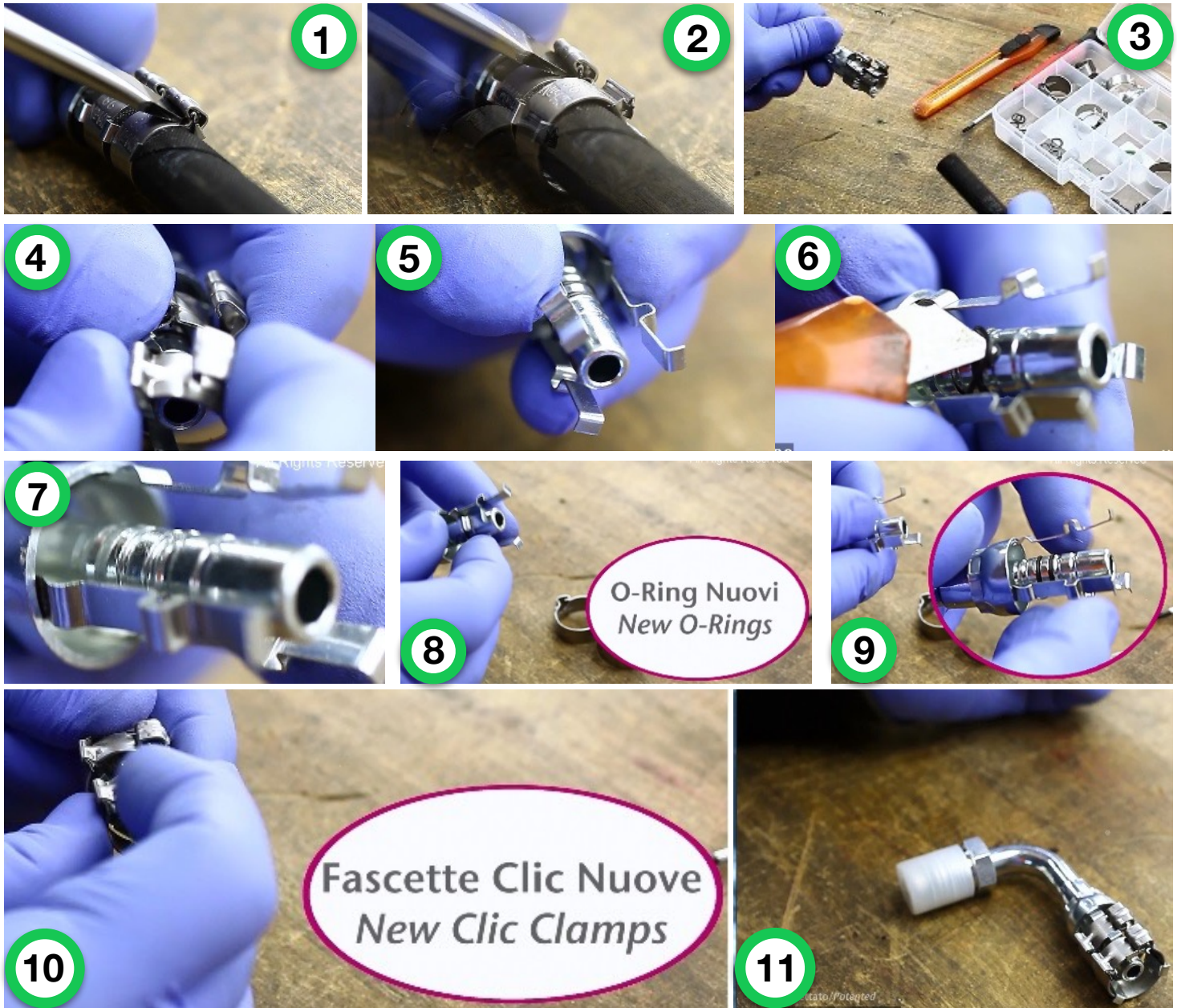


PD (mm)	HD			Code Codice
	Hose Dash	Hose Size (mm)	Hose Size (in)	
	Dash Tubo	Size Tubo(mm)	Size Tubo(in)	
9,5÷10	06	7,5÷8,5	5/16"	20M3600C0606
12÷12,7	08	9,5÷10,5	13/32"	20M3600C0808
15,8÷16	10	12,5÷13,5	1/2"	20M3600C1010
15,8÷16	12	15,5÷16,5	5/8"	20M3600C1210
18÷19,1	12	15,5÷16,5	5/8"	20M3600C1212





Disassembling instructions for Frigoflex®



Official Statement:

"KlimaKlamp® System (both kit and fittings) will work correctly only if used with its specific Hoses and Tools (already in the kit or proposed separately on this document)".

Comunicazione Ufficiale:

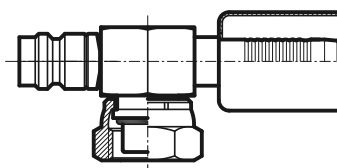
"FlexinGroup srl garantisce il perfetto funzionamento del Sistema KlimaKlamp® (Kit e Raccordi a fascetta) solo se utilizzato con gli appositi Tubi in gomma ed Utensili già presenti nei Kit stessi o proposti separatamente in questo catalogo."

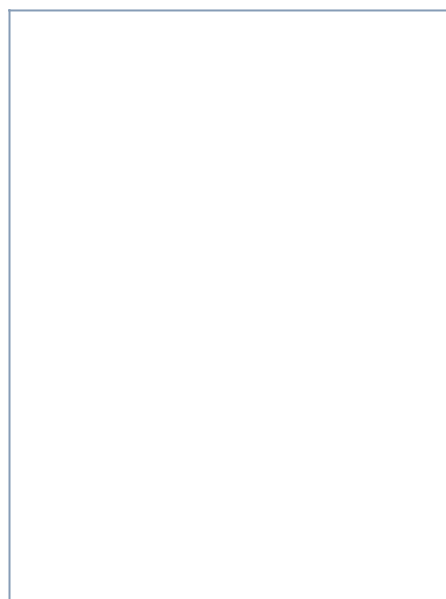
PART NUMBERING SYSTEM

PIANO DI CODIFICA ARTICOLI

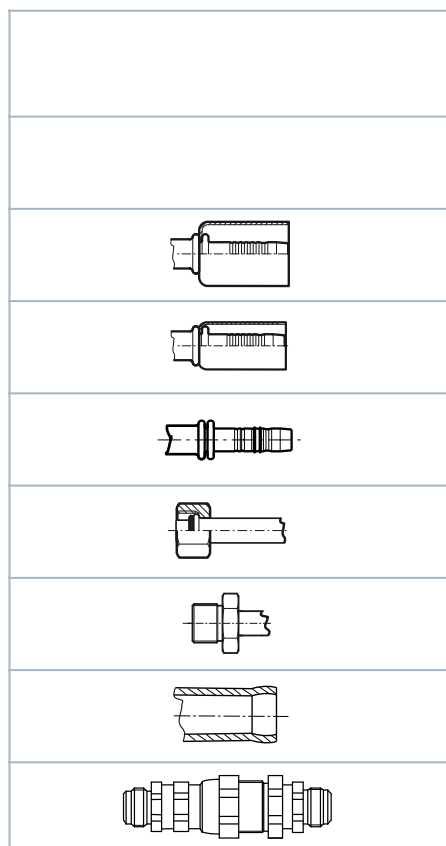


1 0 K 1 1 9 4											
0	1	2	3	4	5	6	7				
- 0 6 0 6						P A 6					
8	9	10	11	12	13	14	15	16	17	18	



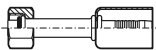
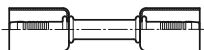
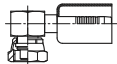
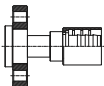

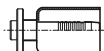
MEANING OF DIGITS
SIGNIFICATO DELLE CIFRE
DIGITS 0 (LETTERS)
CIFRE 0 (LETTERE)
TYPE OF MATERIAL
TIPO DI MATERIALE


Allowed Values <i>Valori Possibili</i>	Description <i>Descrizione</i>
No Digit	Zinc plated carbon steel <i>Ferro zincato</i>
A	Aluminum <i>Alluminio</i>
B	Brass <i>Ottone</i>
C	Copper <i>Rame</i>
D	Carbon steel insert + copper tube <i>Misto inserto in ferro+tubo copper</i>
G	Raw <i>Grezzo</i>
S	Carbon Steel (se diverso standard) <i>Carbon Steel (se diverso standard)</i>
X	Stainless Steel <i>Acciaio inossidabile</i>

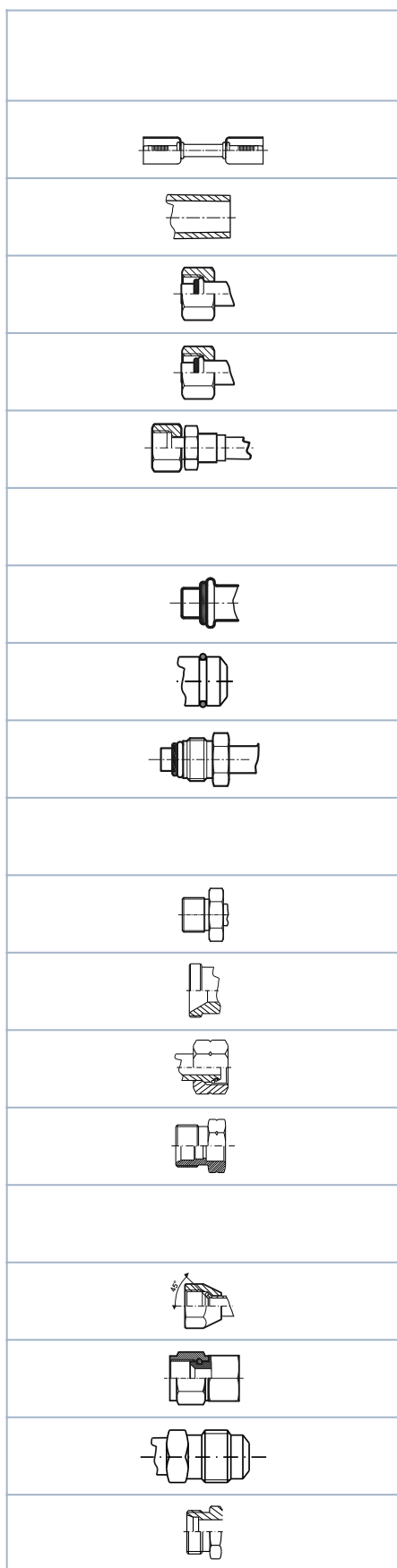
DIGITS 1 2 (NUMBERS)
CIFRE 1 2 (NUMERI)
HOSE CONNECTION TYPE (INSERT & FERRULE) OR ELEMENT
ESTREMITA' INSERTO E TIPO BOCCOLA O ELEMENTO


Allowed Values <i>Valori Possibili</i>	Description <i>Descrizione</i>
00	Splitter plants (043366) <i>Sdoppiatore impianti (043366)</i>
10	ONE PIECE Insert - Standard section ferrule <i>Inserto a Boccola Cartellata - Sezione normale</i>
11	ONE PIECE Insert - Reduced section ferrule <i>Inserto a Boccola Cartellata - Sezione ridotta</i>
20	Frigo Flex® with Ferrula or Cage <i>Frigo Flex® Inserto con Ferrula o Gabbia</i>
A1	Female O-Ring <i>Femmina O-Ring</i>
C3	Male Fixed O-Ring <i>Maschio O-Ring fisso</i>
I9	Water pilot <i>Piloti Acqua</i>
QC	Quick Coupling <i>Quick Coupling</i>

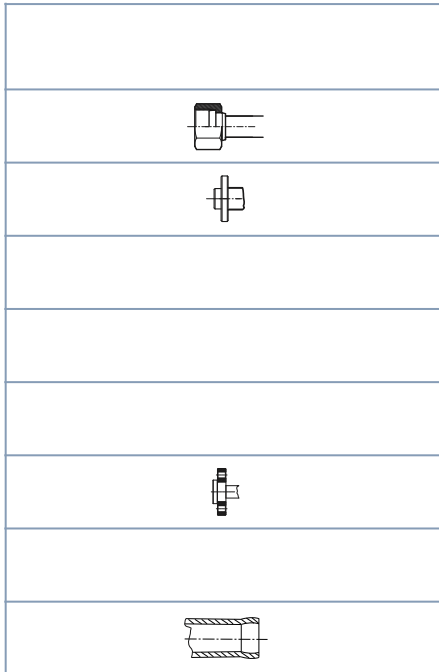
DIGITS 3 (LETTERS)
CIFRE 3 (LETTERE)
FITTING TYPE AND/OR ELEMENT TYPE
TIPO RACCORDO E/O TIPO ELEMENTO

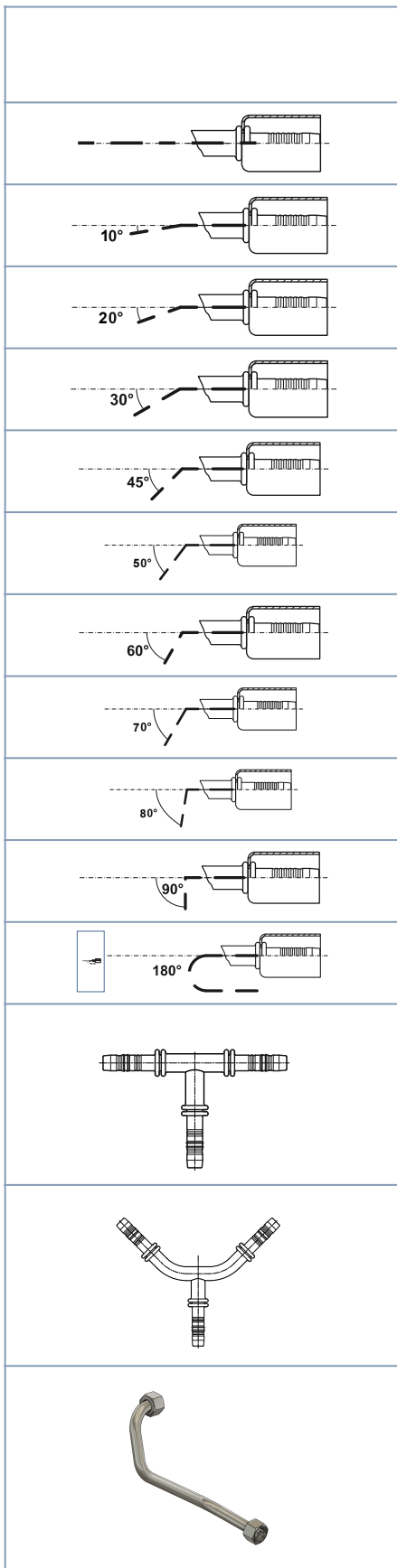
Allowed Values <i>Valori Possibili</i>	Description <i>Descrizione</i>
A	Accessory <i>Accessorio</i>
B	Compressor of fitting body <i>Componente corpo del raccordo</i>
C	Adaptor <i>Adattatore</i>
D	Distributors or Splitters <i>Distributori o Sdoppiatori</i>
F	Female Fittings <i>Raccordo Femmina</i>
H	Component of connection end <i>Componente connessione testa</i>
J	Connection Fitting <i>Congiunzione</i>
K	Compact Fitting <i>Raccordo a blocchetto compatto</i>
L	Flange Fitting <i>Raccordo a flangia</i>
M	Male Fitting <i>Raccordo Maschio</i>
N	Flange/Flange connection <i>Raccordo Flangia/Flangia</i>
P	Compressor connection Fitting <i>Raccordo attacco compressore</i>
T	Component of insert <i>Componente inserto</i>

DIGITS 4 5 (NUMBERS)
CIFRE 4 5 (NUMERI)
TERMINATION END
ESTREMITA' CONNESSIONE


Allowed Values <i>Valori Possibili</i>	Description <i>Descrizione</i>
00	Connection <i>Congiunzione</i>
01	Smooth Tube (es.TD/TFD...) <i>Tubo Liscio (es.TD/TFD...)</i>
11	Pilot O-Ring Female - Swivel nut <i>Femmina Pilota O-Ring - Dado scorrevole</i>
13	Short Pilot O-Ring Female - Swivel nut <i>Femmina Pilota Corto O-Ring - Dado scorrevole</i>
12	Rotalock Female for Stationary Rear <i>Femmina Rotalock per Refr. Commerciale</i>
14	Pilot O-Ring Female - Thrust-wire nut <i>Femmina Pilota O-Ring - Dado spinato</i>
21	Expansion valve <i>Valvola espansione</i>
30	Pilot O-Ring Seat Male <i>Pilota Maschio con sede O-Ring</i>
31	O-Ring Male - Swivel nut <i>Maschio O-Ring - Dado scorrevole</i>
32	O-Ring Male - Fixed nut <i>Maschio O-Ring ORFS - Dado fisso</i>
33	Male with O-Ring seat - Fixed nut <i>Maschio con sede O-Ring - Dado fisso</i>
34	60° conical male for quick connection <i>Maschio conico 60° per innesto rapido</i>
35	24° DIN Ogival Female - Swivel nut <i>Femmina ogiva 24° DIN - Dado scorrevole</i>
36	KlimaKlamp® <i>KlimaKlamp®</i>
37	JIC 37° <i>JIC 37°</i>
41	45° SAE Female - Swivel nut <i>Femmina SAE 45° - Dado scorrevole</i>
44	45° SAE Female - Thrust-wire nut <i>Femmina SAE 45° - Dado spinato</i>
45	45° SAE Male <i>Maschio SAE 45°</i>
46	Straight 24° SAE Male DIN <i>Maschio 24° DIN</i>

DIGITS 4 5 (NUMBERS)
CIFRE 4 5 (NUMERI)
TERMINATION END
ESTREMITA' CONNESSIONE


Allowed Values <i>Valori Possibili</i>	Description <i>Descrizione</i>
51	ORFS Female - Swivel nut <i>ORFS Femmina - Dado scorrevole</i>
61	Flange Fitting with pilot without nut <i>Raccordo a flangia con pilota senza dado</i>
62	Flange Fitting with pilot without nut Volvo 6106 <i>Raccordo a flangia con pilota senza dado Volvo 6106</i>
63	SAE 3000 Flange <i>Flangia SAE 3000</i>
66	SAE 6000 Flange <i>Flangia SAE 6000</i>
71	Flange without O-Ring seat <i>Flangia senza sede O-Ring</i>
88	
99	Water pilot <i>Pilota Acqua</i>



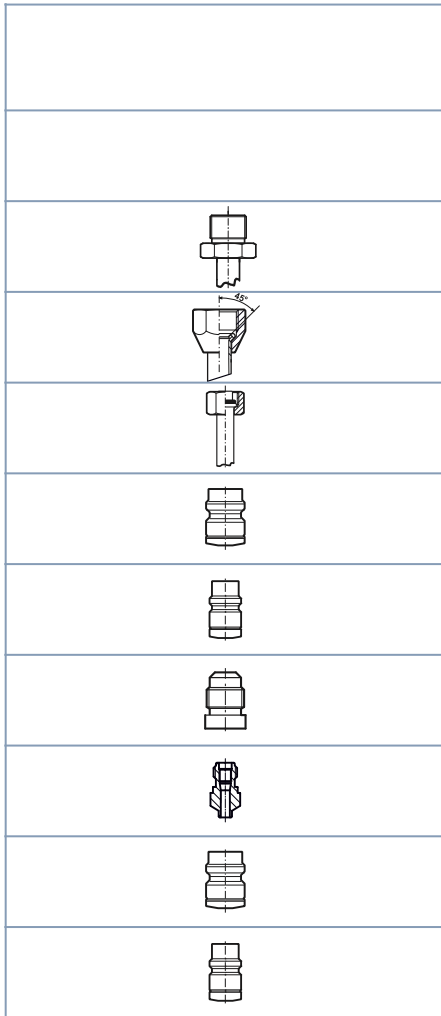
Allowed Values <i>Valori Possibili</i>	Description <i>Descrizione</i>
0	Straight Fitting <i>Raccordo dritto</i>
1	10° Elbow <i>Curva 10°</i>
2	20° Elbow <i>Curva 20°</i>
3	30° Elbow <i>Curva 30°</i>
4	45° Elbow <i>Curva 45°</i>
5	50° Elbow <i>Curva 50°</i>
6	60° Elbow <i>Curva 60°</i>
7	70° Elbow <i>Curva 70°</i>
8	80° Elbow <i>Curva 80°</i>
9	90° Elbow <i>Curva 90°</i>
U	180° Elbow <i>Curva 180°</i>
T	Fitting with 3 termination ends - T layout <i>Raccordo a T</i>
Y	Fitting with 3 termination ends - Y layout <i>Raccordo a Y</i>
M	Manipulated Fitting <i>Raccordo sagomato</i>

DIGITS 7 (NUMBERS)

CIFRE 7 (NUMERI)

VALVE

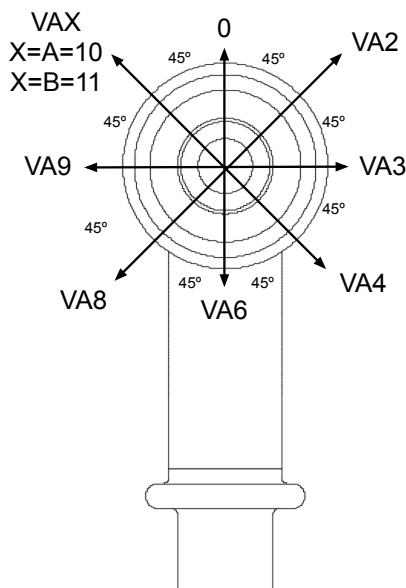
VALVOLA



Allowed Values <i>Valori Possibili</i>	Description <i>Descrizione</i>
0	No Valve <i>Nessuna Valvola</i>
1	Male with Fixed Nut O-Ring position <i>Maschio con sede O-Ring Dado Fisso</i>
2	SAE 45° Female <i>Femmina SAE 45°</i>
3	O-Ring Female <i>Femmina O-Ring</i>
4	High Pressure Valve Standard Gas <i>Valvola Alta Pressione Gas Standard</i>
5	Low Pressure Valve Standard Gas <i>Valvola Bassa Pressione Gas Standard</i>
6	Charge Valve <i>Valvola di carica</i>
7	Manostat Valve M10x1.25 <i>Valvola Pressostato M10x1.25</i>
8	High Pressure Valve R1234yf Gas <i>Valvola Alta Pressione Gas R1234yf</i>
9	Low Pressure Valve R1234yf Gas <i>Valvola Bassa Pressione Gas R1234yf</i>

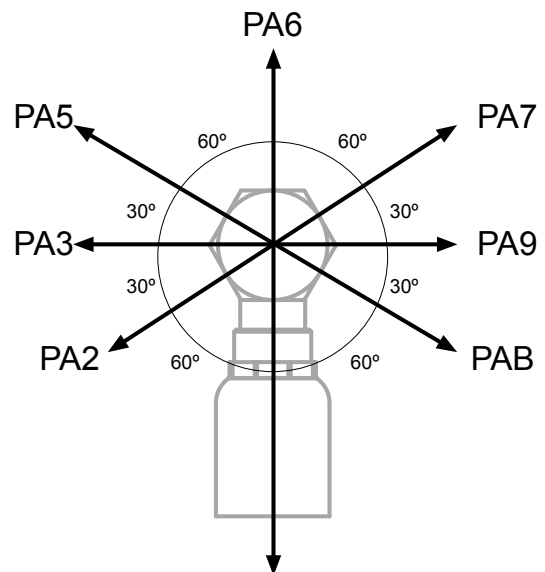
VALVE POSITION FOR CYLINDRICAL PIPE

POSIZIONE VALVOLA PER TUBO TONDO



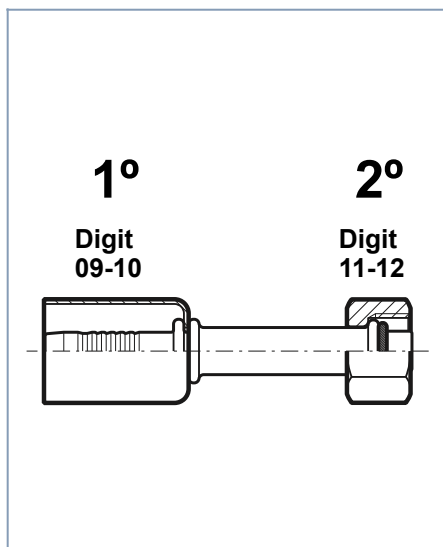
VALVE POSITION FOR ADAPTOR

POSIZIONE VALVOLA PER BLOCCHETTO



DIGITS 8 (ALPHANUMERIC)
CIFRE 8 (ALFANUMERICA)
LOCKING SYSTEM
SISTEMA DI BLOCCAGGIO


Allowed Values <i>Valori Possibili</i>	Description <i>Descrizione</i>
-	Fitting without ferrule or ONE PIECE <i>Solo raccordo o raccordo ONE PIECE</i>
C	Fitting and Clamp 35 bar <i>Raccordo a Fascetta 35 bar</i>
F	Fitting and Crimp ferrule <i>Raccordo e Boccola a pressare</i>
H	Fitting and Clamp 45 bar <i>Raccordo a Fascetta 45 bar</i>

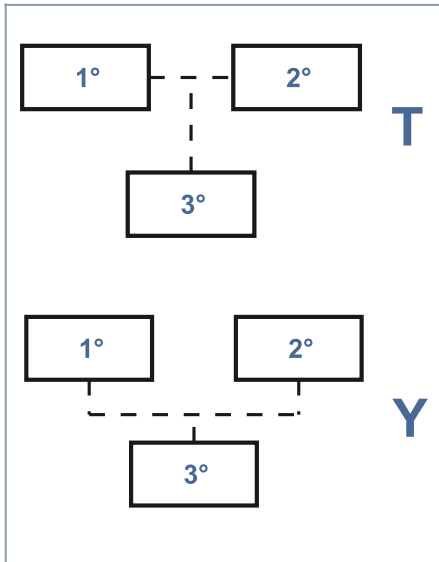
DIGITS 9 - 12 (NUMBERS)
CIFRE 9 - 12 (NUMERI)
SIZE OF TERMINATION ENDS (hose insert=1°, connection=2°)
SIZE ESTREMITA' (inserto = 1° - attacco = 2°)


Size Orders <i>Ordine del size</i>	Fitting shape <i>Forma del raccordo</i>
1° - 2°	Only 2 termination ends <i>Solamente 2 estremità</i>

Allowed Values <i>Valori Possibili</i>	Description <i>Descrizione</i>
04	Size 04
05	Size 05
06	Size 06
08	Size 08
...	

DIGITS 13 - 14 (NUMBERS)
CIFRE 13 - 14 (NUMERI)
SIZE OF 3rd TERMINATION ENDS (optional)
SIZE 3° ESTREMITA' (opzionale)

1° **2°** **3°**
 Digit Digit Digit
 09-10 11-12 13-14



Size Orders <i>Ordine del size</i>	Fitting shape <i>Forma del raccordo</i>
1° - 2° - 3°	3 termination end - T layout <i>3 estremità - forma ad T</i>
1° - 2° - 3°	3 termination end - Y layout <i>3 estremità - forma ad Y</i>

Allowed Values <i>Valori Possibili</i>	Description <i>Descrizione</i>
04	Size 04
05	Size 05
06	Size 06
08	Size 08
...	

DIGITS 15 (ALPHANUMERIC)
CIFRE 15 (ALFANUMERICA)
SPECIAL CHARACTERISTIC (optional)
SPECIALITA' DEL RACCORDO (opzionale)

Allowed Values <i>Valori Possibili</i>	Description <i>Descrizione</i>
L	Length of fitting on insert side <i>Lunghezza lato inserto</i>
M	Height of fitting on connection side <i>Altezza prima curva</i>
K	Length and Height of fitting <i>Lunghezza e altezza</i>
B	Bending degree of first elbow <i>Angolo curvatura</i>
V	Valve direction <i>Orientamento valvola</i>
P	Valve position <i>Posizione valvola</i>
E	Length of male thread and counter nut <i>Lunghezza filettatura maschio e controdado</i>
S	Staffa su raccordo <i>Staffa su raccordo</i>

DIGITS 16 - 17 (ALPHANUMERIC)
CIFRE 16 - 17 (ALFANUMERICA)
ALPHANUMERIC COUNTER (only for special characteristics: Ref. DIGIT 15)
PROGRESSIVO ALFANUMERICO (solo per specialità: Ref. DIGIT 15)

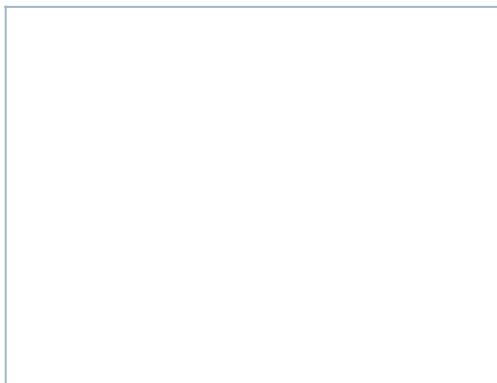
Allowed Values <i>Valori Possibili</i>	Description <i>Descrizione</i>
A1	SEE CORRESPONDENT DRAWING <i>Vedi disegno corrispondente</i>
A2	
...	
Z9	

DIGITS 18 (NUMBER)

CIFRE 18 (NUMERI)

PROGRESSIVE CHANGE NUMBER (optional)

ESPONENTE DI MODIFICA NUMERICO (opzionale)



Allowed Values <i>Valori Possibili</i>	Description <i>Descrizione</i>
1	SEE CORRESPONDENT DRAWING <i>Vedi disegno corrispondente</i>
2	
...	

Technical Services

Servizi Tecnici



- **Technical Support**
- Supporto Tecnico
- **Working in Co-Design**
- Lavoro in Co-Design
- **Reverse Engineering**
- Reverse Engineering
- **Labels with Barcode**
- Etichette con Barcode
- **Sealing Tests**
- Prove di tenuta
- **Climatic Chamber Tests**
- Test in cella climatica
- **Sheet Metal structures**
- Lamierati

Revision Index

Indice delle revisioni

2018/5 del 29/07/2019:

- **Correct measure code 20M3390-0808 pag 2x/18**
- *Corretta misura codice 20M3390-0808 pag 2x/18*
- **Correct measure code 20M3690-0808 pag 3x/3**
- *Corretta misura codice 20M3690-0808 pag 3x/3*
- **Added codes C3N3300-1616, C3N3300-1616BRZ1 pag 8x/2**
- *Aggiunti codici C3N3300-1616, C3N3300-1616BRZ1 pag 8x/2*
- **Correct measure L and L1 1xM3100-1010 pag 1x/11**
- *Corretta misura L e L1 1xM3100-1010 1x/11*
- **Added adaptors code ADP-xx-007 pag 8x/5**
- *Aggiunti adattatori codice ADP-xx-007 pag 8x/5*
- **Added code 1xM3300-1210EA2 pag 1x/13**
- *Aggiunto codice 1xM3300-1210EA2 pag 1x/13*
- **Added code 2xF11U0-1212 pag 2x/6**
- *Aggiunto codice 2xF11U0-1212 pag 2x/6*
- **Added measures D1/D2/I in adaptors 8x/5**
- *Aggiunte misure D1/D2/I sugli adattatori 8x/5*
- **Added measures D1/D2/H codes 00D1000-0600-001÷004; 00D1000-1000-001÷004 pag 8x/6**
- *Aggiunte misure D1/D2/H sui codici 00D1000-0600-001÷004; 00D1000-1000-001÷004 pag 8x/6*
- **Added measures D1/D2/H codes 00D9000-0600-001÷004 pag 8x/7**
- *Aggiunte misure D1/D2/H sui codici 00D9000-0600-001÷004 8x/7*
- **Added measures D1/D2/I1/D3/D4/I2/D5/D6/I3 codes 00D2000-0610-001÷003; 00D2000-0810-002 pag 8x/7**
- *Aggiunte misure D1/D2/I1/D3/D4/I2/D5/D6/I3 sui codici 00D2000-0610-001÷003; 00D2000-0810-002 pag 8x/7*
- **Added codes 2xF5100-1416; 2xF5100-1816; 2xF5190-1416; 2xF5190-1816 pag 2x/9**
- *Aggiunti codici 2xF5100-1416; 2xF5100-1816; 2xF5190-1416; 2xF5190-1816 pag 2x/9*
- **Added measures 2xF4140-0604 pag 2x/8**
- *Aggiunte quote 2xF4140-0604 pag 2x/8*
- **Added measure D1 1xP6100; 1xP6140; 1xP6144; 1xP6145; 1xP6190 pag 1x/15**
- *Aggiunta quota D1 1xP6100; 1xP6140; 1xP6144; 1xP6145; 1xP6190 pag 1x/15*
- **Added measure D1 1xP6194; 1xP6195 pag 1x/16**
- *Aggiunta quota D1 1xP6194; 1xP6195 pag 1x/16*
- **Added measure D1 2xP6100 pag 2x/18**
- *Aggiunta quota D1 2xP6100 pag 2x/18*
- **Added measure D1 2xP6140; 2xP6144; 2xP6145; 2xP6190; 2xP6194 pag 2x/19**
- *Aggiunta quota D1 2xP6140; 2xP6144; 2xP6145; 2xP6190; 2xP6194 pag 2x/19*
- **Added measure D1 2xP6195 pag 2x/20**
- *Aggiunta quota D1 2xP6195 pag 2x/20*
- **Added code 1xF0000-xxxx pag 1x/16**
- *Aggiunta codice 1x0000-xxxx pag 1x/16*
- **Added code 2xF0000-xxxx pag 2x/20**
- *Aggiunto codice 2xF0000-xxxx pag 2x/20*
- **Added measures 2xJ00Y0-xxxxxx pag 2x/12**
- *Aggiunti misure 2xJ00Y0-xxxxxx 2x/12*



FLEXIN GROUP SRL

Via Rigosa, 54
40069 Zola Predosa (Bologna) Italy

Tel.: +390516781494

 info@flexingroup.com

 www.flexingroup.com

  Facebook

  LinkedIn

Registered Office: IT02818791200
Via Cartiera, 53
40037 Sasso Marconi (Bologna) Italy